

CHECK VALVE

# SS Swing Check Valve - BSP

MODEL VSSCCV-16 REF EFC-97 ISSUED 05 Jun 2026

## SPECIFICATIONS

Size	DN15–DN100
Pressure	16 bar
End connection	threaded (BSP)
Temperature	-20°C to 180°C
Media	water, oil, gas

## APPLICATIONS

- water
- oil and gas



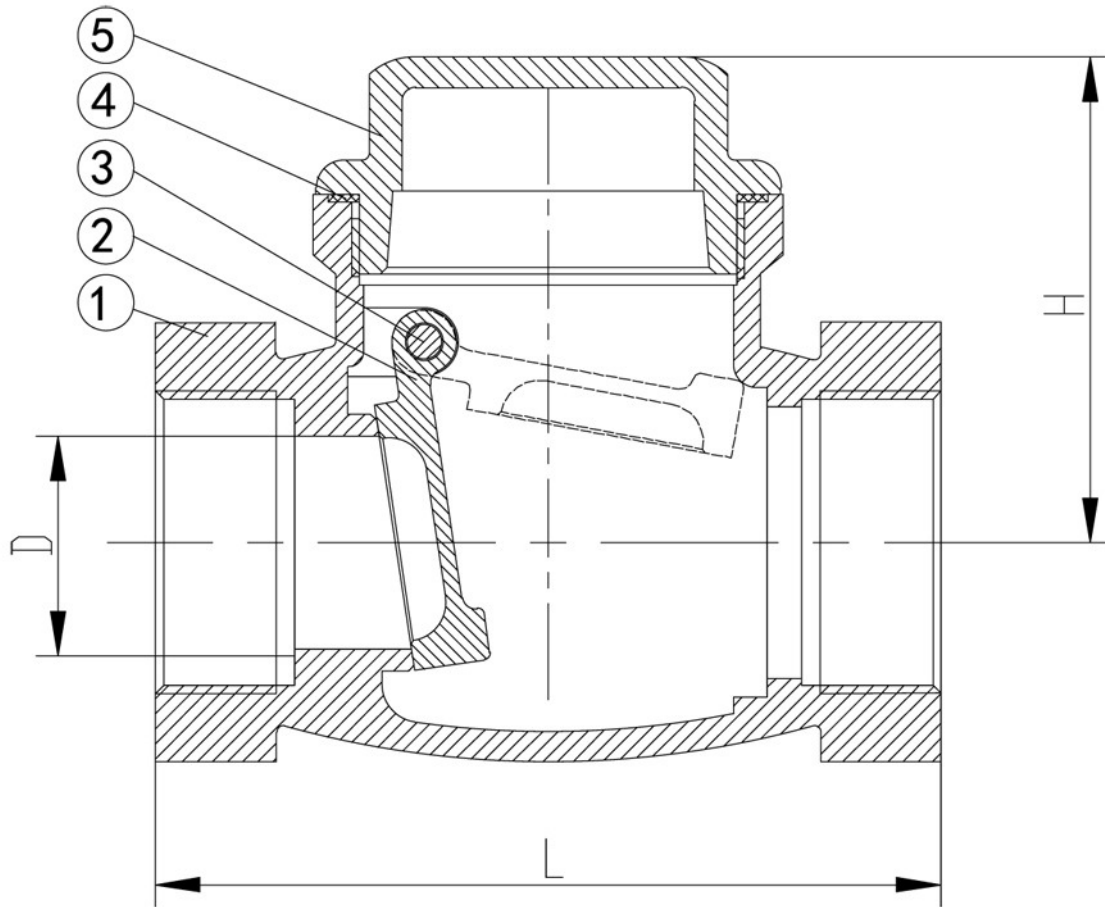
## MATERIALS

body	stainless steel	disc	stainless steel
gasket	PTFE		

CHECK VALVE

# SS Swing Check Valve - BSP

SECTION Technical drawing REF EFC-97



CHECK VALVE

# SS Swing Check Valve - BSP

SECTION Dimensions per size REF EFC-97

SIZE	L	D	H
DN15	62	15.5	43
DN20	75	20	45
DN25	84	23.5	49
DN32	100	30	56
DN40	115	37	64
DN50	134	46	71
DN65	164	64	91
DN80	190	74.5	103
DN100	237	96	138

All dimensions in millimetres unless stated otherwise. Values are nominal; tolerances confirmed at quote.