

CHECK VALVE

Threaded Bronze Swing Check Valve

MODEL **VFBCCV-20** REF **EFC-96** ISSUED **05 Jun 2026**

SPECIFICATIONS

Size	DN15–DN50
Pressure	20 bar
End connection	threaded (BSP)
Temperature	0°C to 170°C
Media	water, oil, gas

APPLICATIONS

- water
- oil
- gas



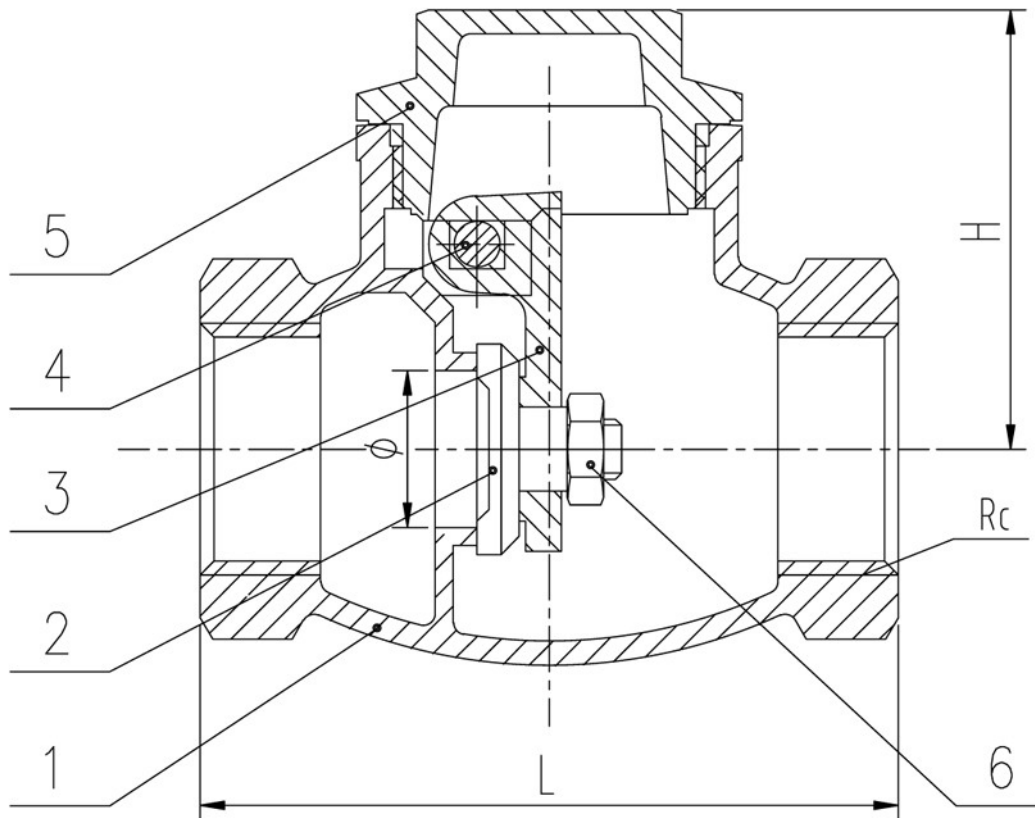
MATERIALS

body	bronze	disc	brass
bonnet	bronze		

CHECK VALVE

Threaded Bronze Swing Check Valve

SECTION Technical drawing REF EFC-96



CHECK VALVE

Threaded Bronze Swing Check Valve

SECTION Dimensions per size REF EFC-96

SIZE	L	H	Ø
DN15	58	37	13
DN20	66	43	19
DN25	76	49	25
DN32	88	57.5	32
DN40	96	63	39
DN50	112	72	50

All dimensions in millimetres unless stated otherwise. Values are nominal; tolerances confirmed at quote.