

CHECK VALVE

Disc Check Valve

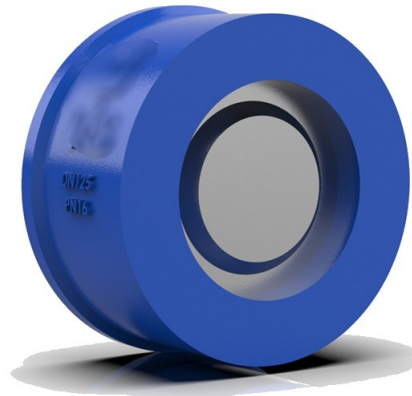
MODEL **VDCV-16-40** REF **EFC-94** ISSUED **05 Jun 2026**

SPECIFICATIONS

| | |
|----------------|---|
| Size | DN15–DN200 |
| Pressure | PN16–PN40 |
| End connection | wafer (DIN 2501) |
| Face-to-face | EN 558 Serie 49, DIN 3202/3-K4, ISO 5752 |
| Temperature | -60°C to 400°C |

STANDARDS

| | |
|------|-----------------|
| Test | EN 12266 |
|------|-----------------|



MATERIALS

| | | | |
|--------|--|------|------------------------|
| body | bronze, carbon steel, stainless steel | disc | stainless steel |
| spring | stainless steel | | |

FEATURES

- Available with or without spring
- Dual pressure rating: PN16 and PN40
- Minimum opening pressure specified for spring and springless configurations
- Face-to-face per EN 558 Series 49, DIN 3202/3-K4, and ISO 5752
- Flange ends per DIN 2501
- Tested per EN 12266

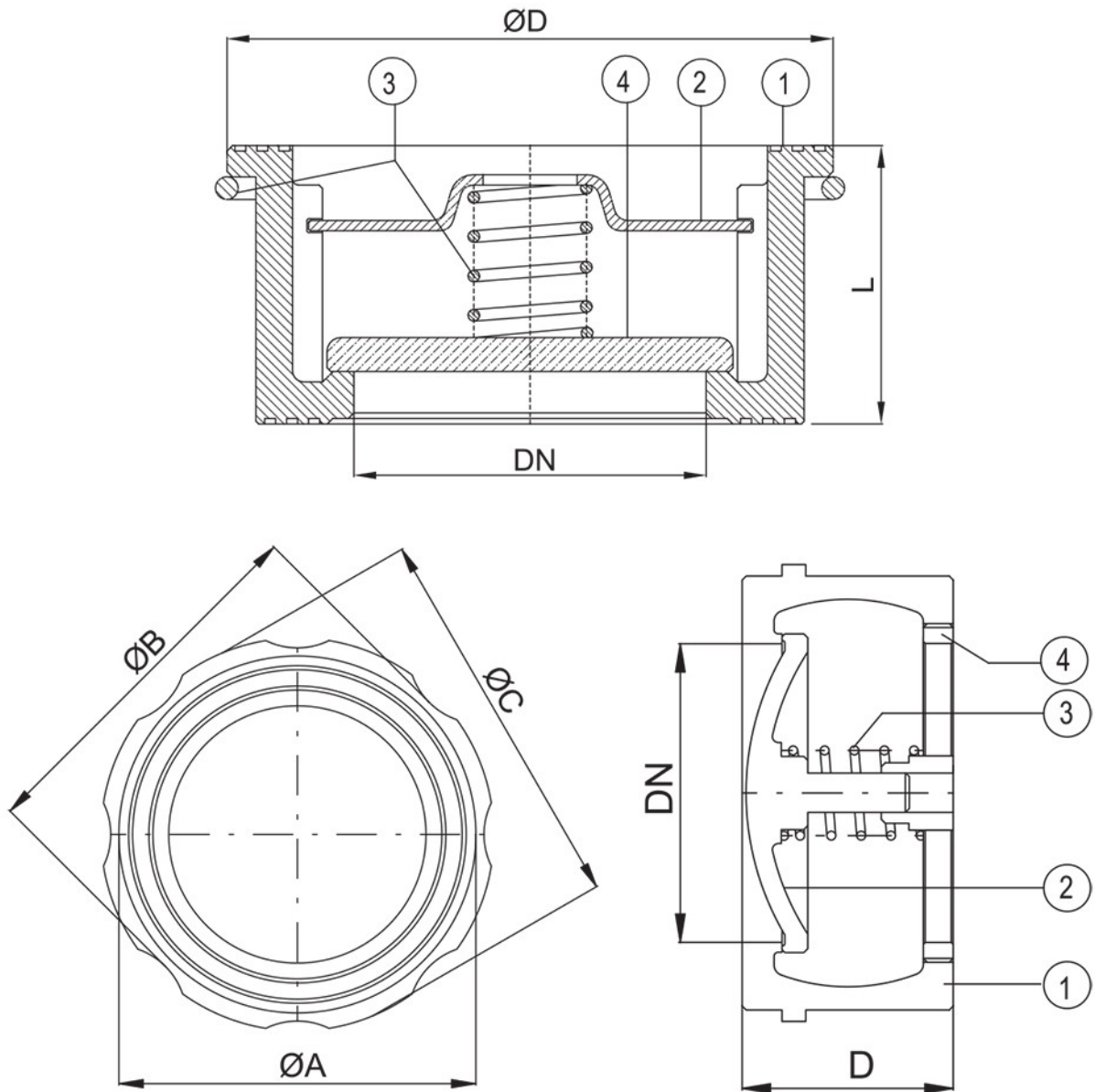
PRESSURE-TEMPERATURE RATING

| CLASS | TEMPERATURE | MAX PRESSURE |
|-------|-------------|--------------|
| PN16 | 120°C | 16 bar |
| PN16 | 180°C | 15 bar |
| PN16 | 200°C | 14 bar |
| PN16 | 250°C | 13 bar |
| PN40 | 120°C | 40 bar |
| PN40 | 200°C | 35 bar |
| PN40 | 300°C | 28 bar |
| PN40 | 400°C | 21 bar |

CHECK VALVE

Disc Check Valve

SECTION Technical drawing REF EFC-94



CHECK VALVE

Disc Check Valve

SECTION Dimensions per size REF EFC-94

| SIZE | OD | L | OA | OB | D | OC | WEIGHT |
|-------|-----|----|-----|-----|-----|-----|----------|
| DN15 | 40 | 16 | — | — | — | — | 0.1 kg |
| DN20 | 47 | 19 | — | — | — | — | 0.135 kg |
| DN25 | 56 | 22 | — | — | — | — | 0.2 kg |
| DN32 | 72 | 28 | — | — | — | — | 0.46 kg |
| DN40 | 82 | 32 | — | — | — | — | 0.63 kg |
| DN50 | 95 | 40 | — | — | — | — | 0.98 kg |
| DN65 | 115 | 46 | — | — | — | — | 1.35 kg |
| DN80 | 132 | 50 | — | — | — | — | 2.08 kg |
| DN100 | 152 | 60 | — | — | — | — | 3.04 kg |
| DN125 | — | — | 184 | 194 | 90 | — | 9 kg |
| DN150 | — | — | 209 | 221 | 106 | 227 | 14 kg |
| DN200 | — | — | 276 | 287 | 140 | — | 24 kg |

All dimensions in millimetres unless stated otherwise. Values are nominal; tolerances confirmed at quote.