

CHECK VALVE

Threaded Ball Check Valve

MODEL **VDTC-16** REF **EFC-93** ISSUED **05 Jun 2026**

SPECIFICATIONS

Size	DN25–DN65
Pressure	PN16
End connection	threaded (EN 10226)
Media	water



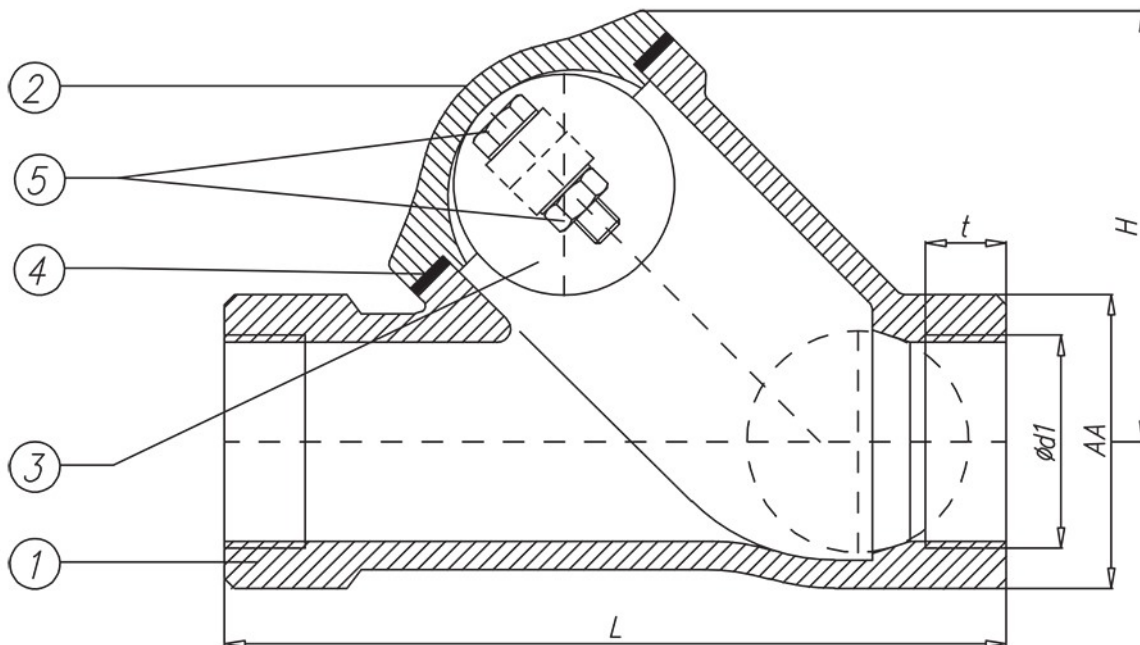
MATERIALS

body	grey cast iron, ductile iron	bonnet	grey cast iron, ductile iron
ball	elastomer	gasket	elastomer

CHECK VALVE

Threaded Ball Check Valve

SECTION Technical drawing REF EFC-93



CHECK VALVE

Threaded Ball Check Valve

SECTION **Dimensions per size** REF **EFC-93**

SIZE	L	H	T	AA	OD1	WEIGHT
DN25	125	80	17	50	1" inch	1.7 kg
DN32	135	85	25	65	1 1/4" inch	2.4 kg
DN40	151	105	27	75	1 1/2" inch	3 kg
DN50	175	125	31	90	2" inch	4 kg
DN65	202	135	31	95	2 1/2" inch	5.5 kg

All dimensions in millimetres unless stated otherwise. Values are nominal; tolerances confirmed at quote.