

CHECK VALVE

Wafer Tilting Disc Check Valve

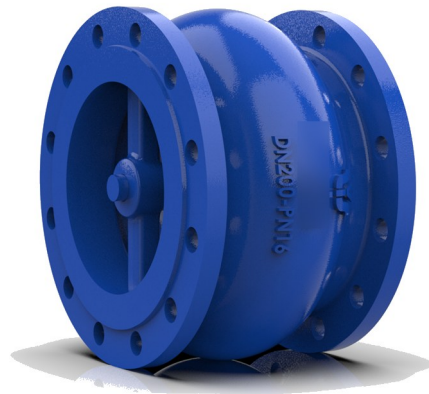
MODEL VWTD-10-16-25 REF EFC-91 ISSUED 05 Jun 2026

SPECIFICATIONS

Size	DN40–DN1000
Pressure	PN10–PN25
End connection	wafer (EN 1092-2/B)
Face-to-face	EN 558 Serie 16, DIN 3202-K3
Temperature	-10°C to 120°C

STANDARDS

Test	EN 12266, API 598
------	-------------------



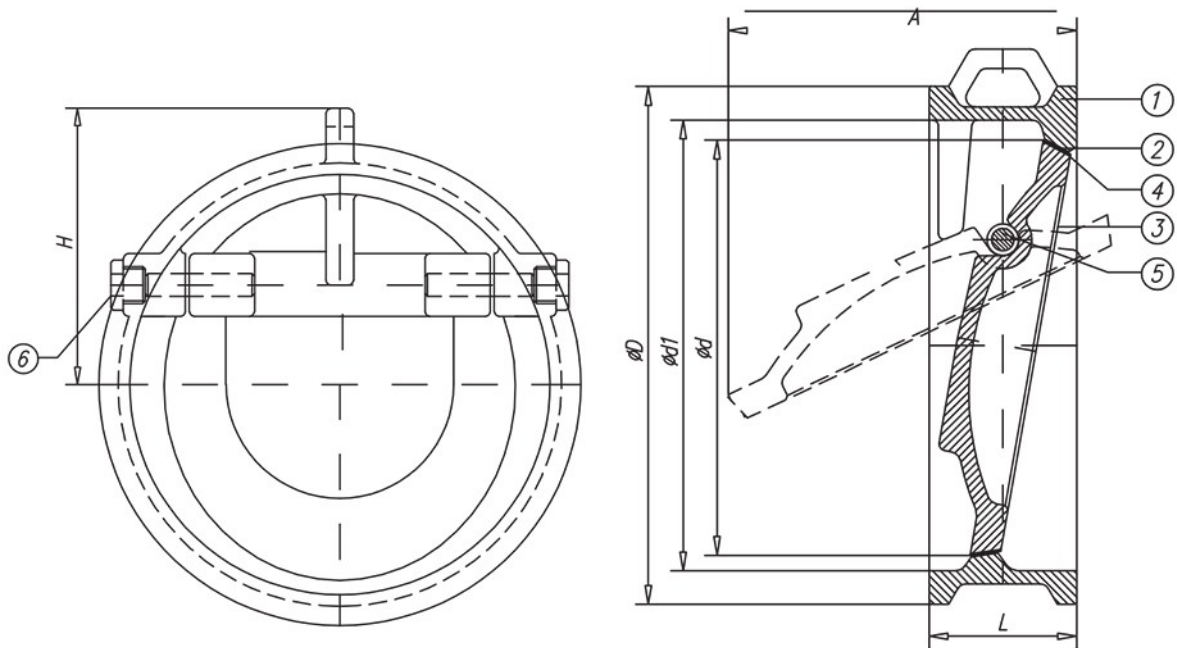
MATERIALS

body	cast iron, carbon steel, stainless steel, bronze	seat	chromium steel, cobalt alloy
disc	stainless steel, bronze, carbon steel	stem	stainless steel

CHECK VALVE

Wafer Tilting Disc Check Valve

SECTION Technical drawing REF EFC-91



CHECK VALVE

Wafer Tilting Disc Check Valve

SECTION Dimensions per size REF EFC-91

SIZE	OD	OD1	OA	L	H
DN40	34	40	45	33	—
DN50	44	50	54	43	—
DN65	58	65	64	46	—
DN80	72	80	85	64	—
DN100	90	100	95	64	—
DN125	112	125	115	70	—
DN150	135	150	135	76	—
DN200	180	200	220	89	155
DN250	225	250	220	114	182
DN300	270	300	250	114	210
DN350	315	350	295	127	240
DN400	365	400	340	140	275
DN450	410	450	370	152	300
DN500	460	500	405	152	325
DN600	555	600	500	178	390

Wafer Tilting Disc Check Valve

Dimensions per size (continued) · EFC-91

SIZE	OD	OD1	OA	L	H
DN700	650	700	616	229	460
DN800	745	800	670	241	515
DN900	835	900	750	241	562
DN1000	930	1000	760	300	625

All dimensions in millimetres unless stated otherwise. Values are nominal; tolerances confirmed at quote.