

CHECK VALVE

Tilting Type Check Valve

MODEL **VTCV-16** REF **EFC-90** ISSUED **05 Jun 2026**

SPECIFICATIONS

Size	DN100–DN1400
Pressure	PN10–PN40
End connection	flanged (EN 1092-2/B)
Face-to-face	EN 558 Serie 14, DIN 3202 F4, EN 558 Serie 13, BS 5155
Temperature	-10°C to 120°C

STANDARDS

Test	EN 12266, API 598
------	--------------------------



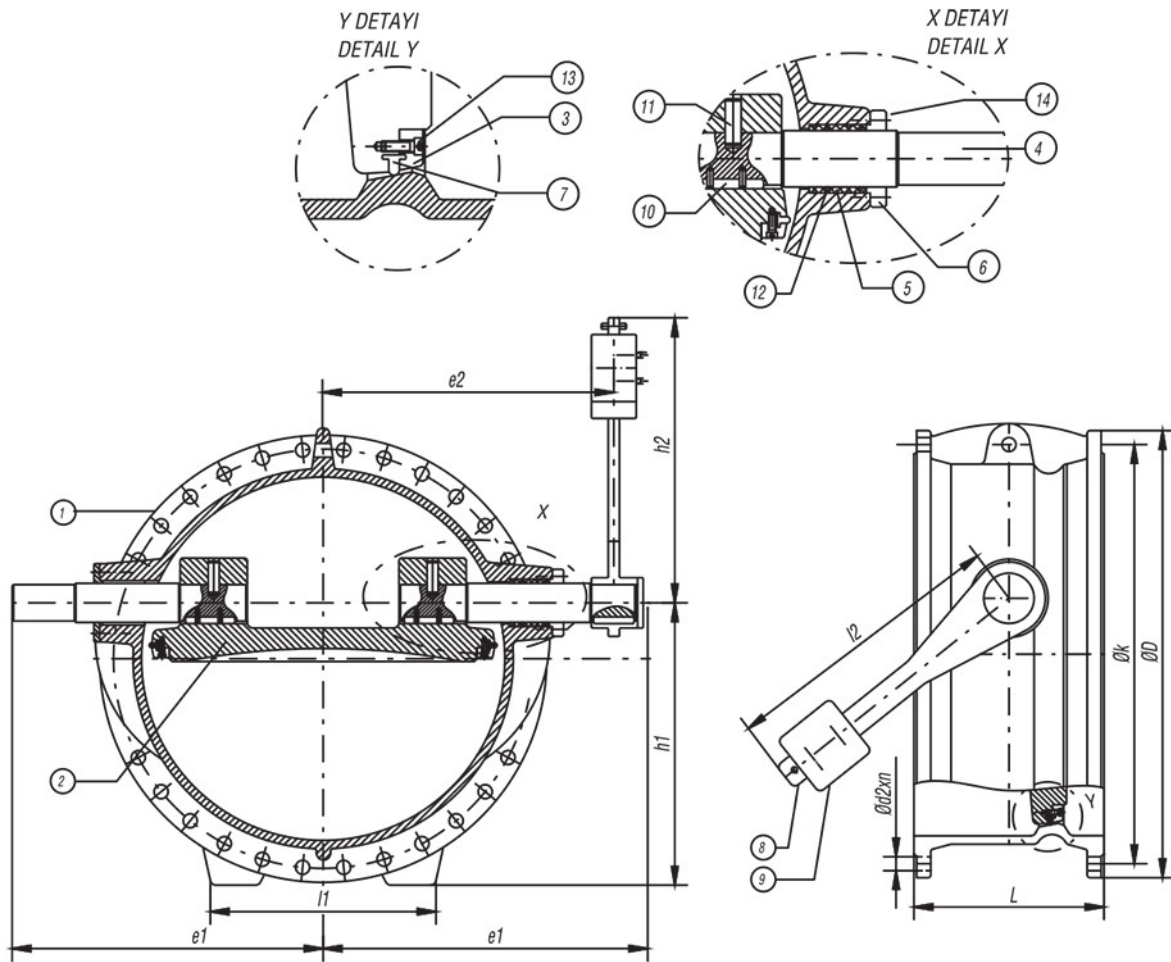
MATERIALS

body	ductile iron, cast steel, stainless steel	disc	ductile iron, cast steel, stainless steel
shaft	stainless steel	bushing	acetal / POM, PTFE
o ring	EPDM elastomer, NBR elastomer		

CHECK VALVE

Tilting Type Check Valve

SECTION Technical drawing REF EFC-90



CHECK VALVE

Tilting Type Check Valve

SECTION Dimensions per size REF EFC-90

SIZE	L_DIN3202F4	L_BS5155	E1	E2	H1	H2	I1	I2
DN100	190	127	192	160	135	189	200	220
DN125	200	140	215	183	156	—	—	250
DN150	210	152	238	206	180	—	—	285
DN200	230	165	263	231	220	—	—	340
DN250	250	178	313	276	265	280	300	260
DN300	270	190	326	289	305	—	—	335
DN350	290	216	388	346	357	372	400	345
DN400	310	222	418	376	395	—	—	375
DN450	330	229	470	420	440	405	450	450
DN500	350	267	495	453	490	460	500	470
DN600	390	292	592	540	580	555	600	545
DN700	430	318	688	623	635	642	700	590
DN800	470	—	715	656	713	735	800	660

Tilting Type Check Valve

Dimensions per size (continued) · EFC-90

SIZE	L_DIN3202F4	L_BS5155	E1	E2	H1	H2	I1	I2
DN900	510	—	825	740	795	830	900	720
DN1000	550	—	832	764	890	920	1000	770
DN1200	630	—	1000	900	1042	1087	1200	965
DN1400	710	—	1246	1100	1200	1280	1400	965

All dimensions in millimetres unless stated otherwise. Values are nominal; tolerances confirmed at quote.