

CHECK VALVE

Wafer Check Valve

MODEL **VWCV-10-16-25-40** REF **EFC-89** ISSUED **05 Jun 2026**

SPECIFICATIONS

Size	DN40–DN800
Pressure	PN10–PN25
End connection	wafer (DIN 2501)



MATERIALS

body

**grey cast iron, ductile iron, carbon steel,
stainless steel, bronze**

disc

stainless steel, bronze

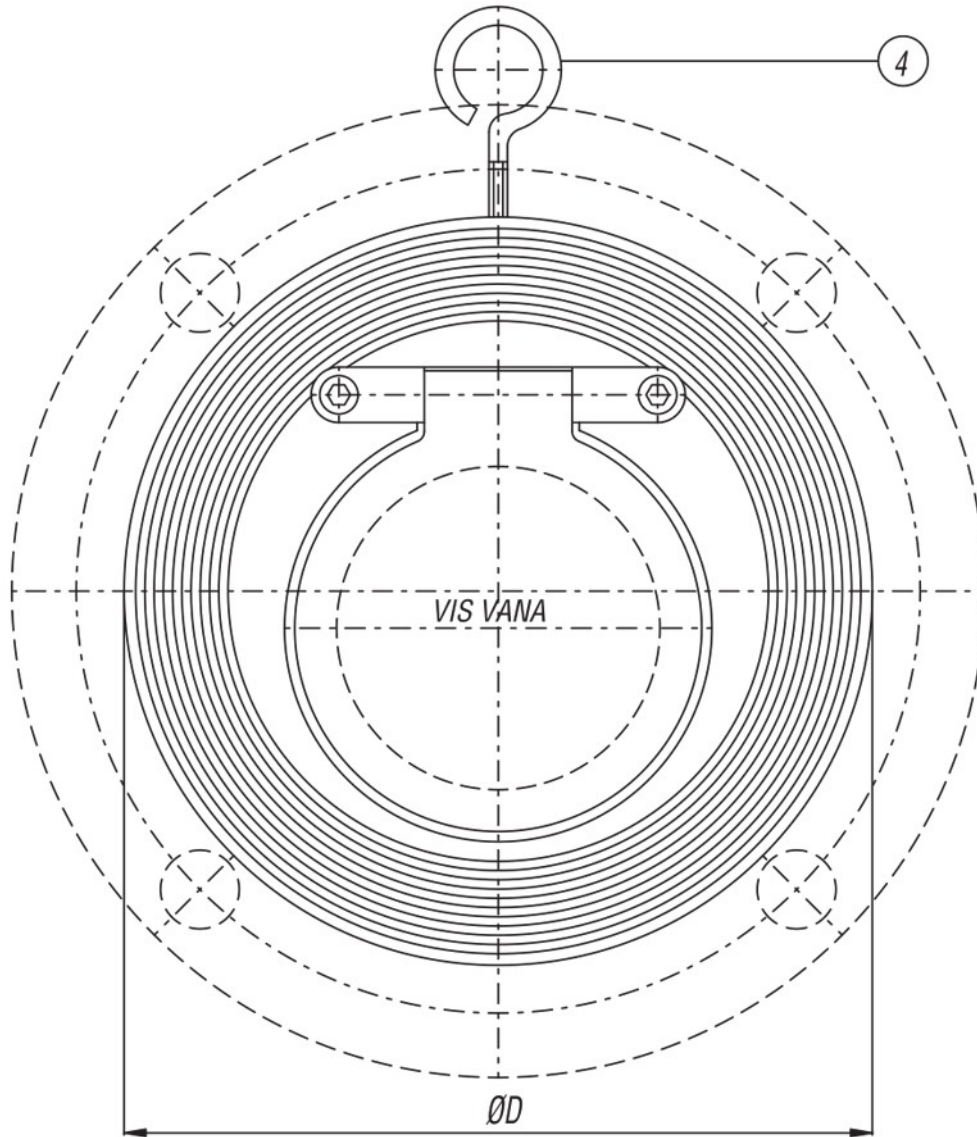
FEATURES

- Wafer (sandwich) type body for installation between flanges
- Ring bolt lifting device included
- Multiple body material options including cast iron, ductile iron, carbon steel, stainless steel, and bronze
- Multiple disc material options including stainless steel and bronze
- Multiple body seal options including EPDM, Viton, stainless steel, and bronze

CHECK VALVE

Wafer Check Valve

SECTION Technical drawing REF EFC-89



CHECK VALVE

Wafer Check Valve

SECTION Dimensions per size REF EFC-89

SIZE	ØD	L	B	WEIGHT
DN40	20	30.5	null	0.8 kg
DN50	32	41.5	16	1 kg
DN65	38	51.5	null	1.3 kg
DN80	52	62	18	1.5 kg
DN100	70	92	18	2.2 kg
DN125	87	104	null	3.6 kg
DN150	110	129	22	5.3 kg
DN200	154	172	null	11 kg
DN250	190	212	32	16 kg
DN300	236	263	38	28 kg
DN350	265	258	38	37 kg
DN400	290	300	44	55 kg
DN450	330	330	44	66 kg
DN500	368	368	58	107 kg
DN600	435	435	68	158 kg
DN700	550	540	76	235 kg
DN800	650	640	89	364 kg

All dimensions in millimetres unless stated otherwise. Values are nominal; tolerances confirmed at quote.