

CHECK VALVE

# Swing Check Valve

MODEL VCCV-10-16-25-40 REF EFC-88 ISSUED 05 Jun 2026

## SPECIFICATIONS

Size	DN15–DN1200
Pressure	PN40
End connection	flanged (EN 1092-2/B)
Face-to-face	EN 558 Serie 48, DIN 3202 F6, TS 457/1, DIN EN 558-1/48
Temperature	-10°C to 120°C

## STANDARDS

Design	DIN 3202/2-F6
Test	EN 12266, API 598



## MATERIALS

body	grey cast iron, ductile iron, carbon steel casting	seat	brass, stainless steel, bronze
disc	grey cast iron, ductile iron, carbon steel casting	stem	brass, stainless steel, bronze
gasket	elastomer, compressed fibre	bonnet	grey cast iron, ductile iron, carbon steel casting

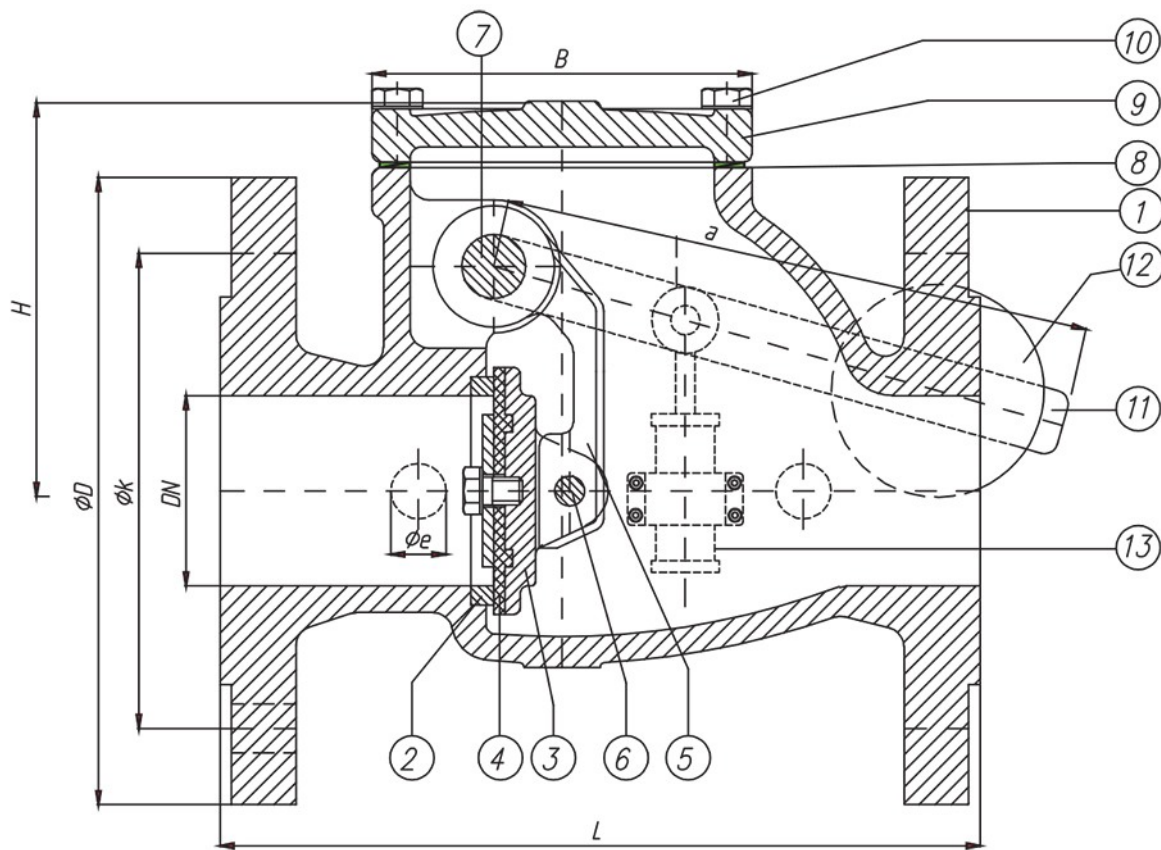
## FEATURES

- Swing disc design with pivoting disc arm
- Counter weight optional
- Hydraulic damper optional
- By-pass connection available (sizes DN40–DN1200 depending on pressure class)

CHECK VALVE

# Swing Check Valve

SECTION Technical drawing REF EFC-88



CHECK VALVE

# Swing Check Valve

SECTION Dimensions per size REF EFC-88

SIZE	L	H	B
DN40	180	100	112
DN50	200	110	112
DN65	240	130	152
DN80	260	145	158
DN100	300	170	240
DN125	350	195	275
DN150	400	205	336
DN200	500	260	400
DN250	600	340	450
DN300	700	370	500
DN350	800	400	550
DN400	900	450	600
DN450	1000	500	740
DN500	1100	630	820
DN600	1300	700	1000
DN700	1500	800	1100

## Swing Check Valve

Dimensions per size (continued) · EFC-88

SIZE	L	H	B
<b>DN800</b>	1700	900	1200
<b>DN900</b>	1900	1000	1400
<b>DN1000</b>	2100	1100	1650
<b>DN1200</b>	2500	1300	1650

*All dimensions in millimetres unless stated otherwise. Values are nominal; tolerances confirmed at quote.*