

GLOBE VALVE

Angle Type Globe Valve

MODEL VAB-10-16-25-40 REF EFC-87 ISSUED 05 Jun 2026

SPECIFICATIONS

Size	DN15–DN600
Pressure	PN10–PN40
End connection	flanged (EN 1092-2/B)
Face-to-face	EN 558 Serie 8, DIN 3202 F32

STANDARDS

Design	DIN 3356
Test	EN 12266



MATERIALS

body	grey cast iron, ductile iron, ductile iron / cast steel, bronze, stainless steel	seat	stainless steel, bronze
disc	stainless steel, bronze	bonnet	grey cast iron, ductile iron, cast steel, bronze, stainless steel
packing	graphite	stem	stainless steel / copper alloy
gasket	compressed fibre	handwheel	grey cast iron

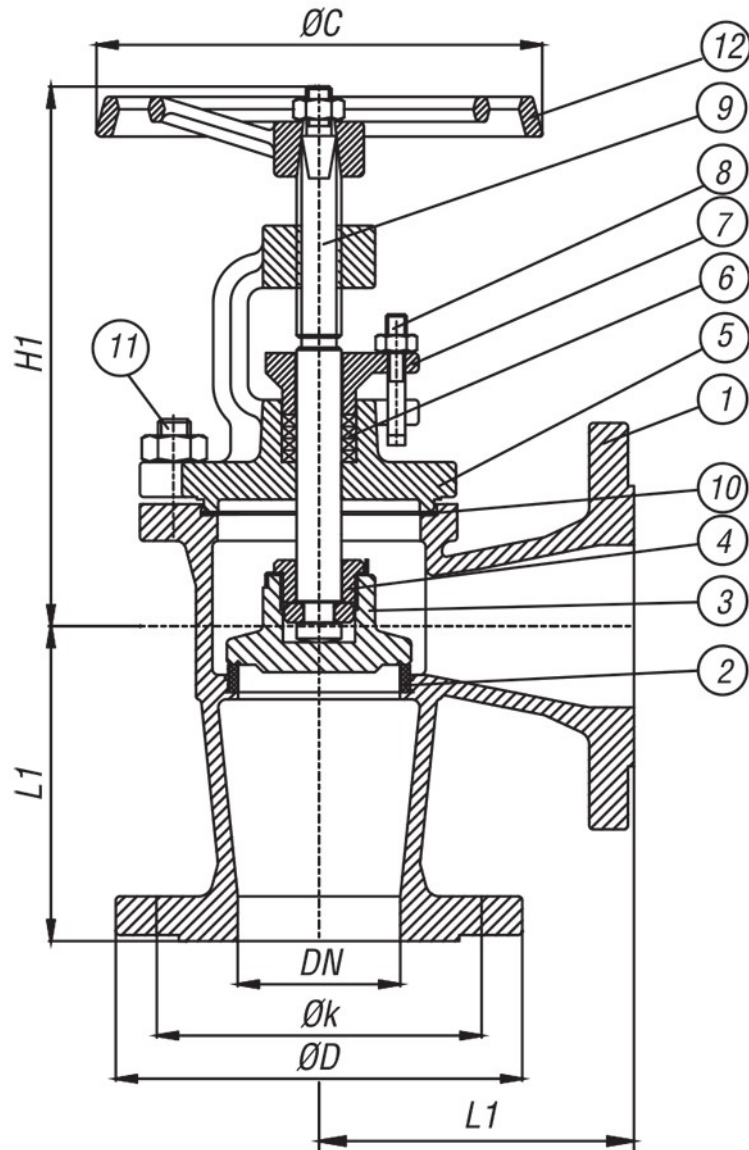
FEATURES

- Angle type body configuration
- Regulating disc option available
- Stroke values specified per size
- Production available up to DN600

GLOBE VALVE

Angle Type Globe Valve

SECTION Technical drawing REF EFC-87



GLOBE VALVE

Angle Type Globe Valve

SECTION Dimensions per size REF EFC-87

SIZE	L1	H1	STROK	OC	OD_PN16	OK_PN16	OD_PN40	OK_PN40	WEIGHT
DN15	90	155	7	120	95	65	95	65	4 kg
DN20	95	155	7	120	105	75	105	75	4 kg
DN25	100	170	9	140	115	85	115	85	5 kg
DN32	105	175	11	140	140	100	140	100	7 kg
DN40	115	195	15	160	150	110	150	110	11 kg
DN50	125	205	18	160	165	125	165	125	13 kg
DN65	145	225	23	180	185	145	185	145	19 kg
DN80	155	250	28	200	200	160	200	160	24 kg
DN100	175	305	35	225	220	180	235	190	33 kg
DN125	200	315	43	250	250	210	270	220	48 kg
DN150	225	380	50	300	285	240	300	250	62 kg
DN200	275	425	68	400	340	295	375	320	128 kg
DN250	325	470	80	520	405	355	450	385	135 kg
DN300	375	675	100	520	460	410	515	450	270 kg

All dimensions in millimetres unless stated otherwise. Values are nominal; tolerances confirmed at quote.