

GLOBE VALVE

Aluminum Angle Globe Valve PN16

MODEL **VGSA-16** REF **EFC-85** ISSUED **05 Jun 2026**

SPECIFICATIONS

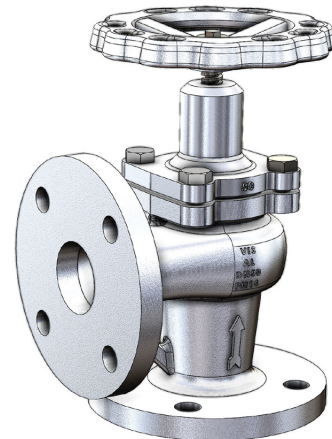
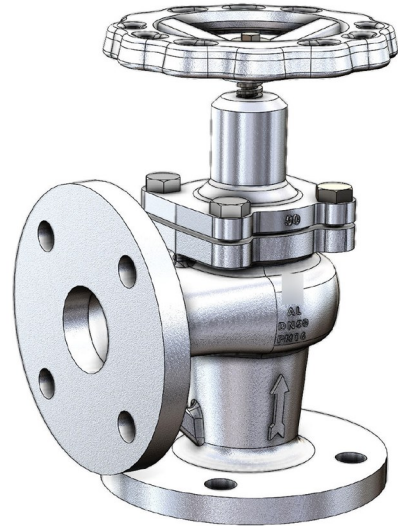
Size	DN15–DN100
Pressure	PN16
End connection	flanged (EN 1092)
Face-to-face	VisVana Short Pattern

ACTUATION

- manual handwheel

STANDARDS

Test	EN 12266
------	-----------------



MATERIALS

body	aluminium alloy	disc	aluminium alloy
gasket	compressed fibre	bonnet	aluminium alloy
o ring	nitrile rubber	stem	stainless steel
handwheel	aluminium alloy		

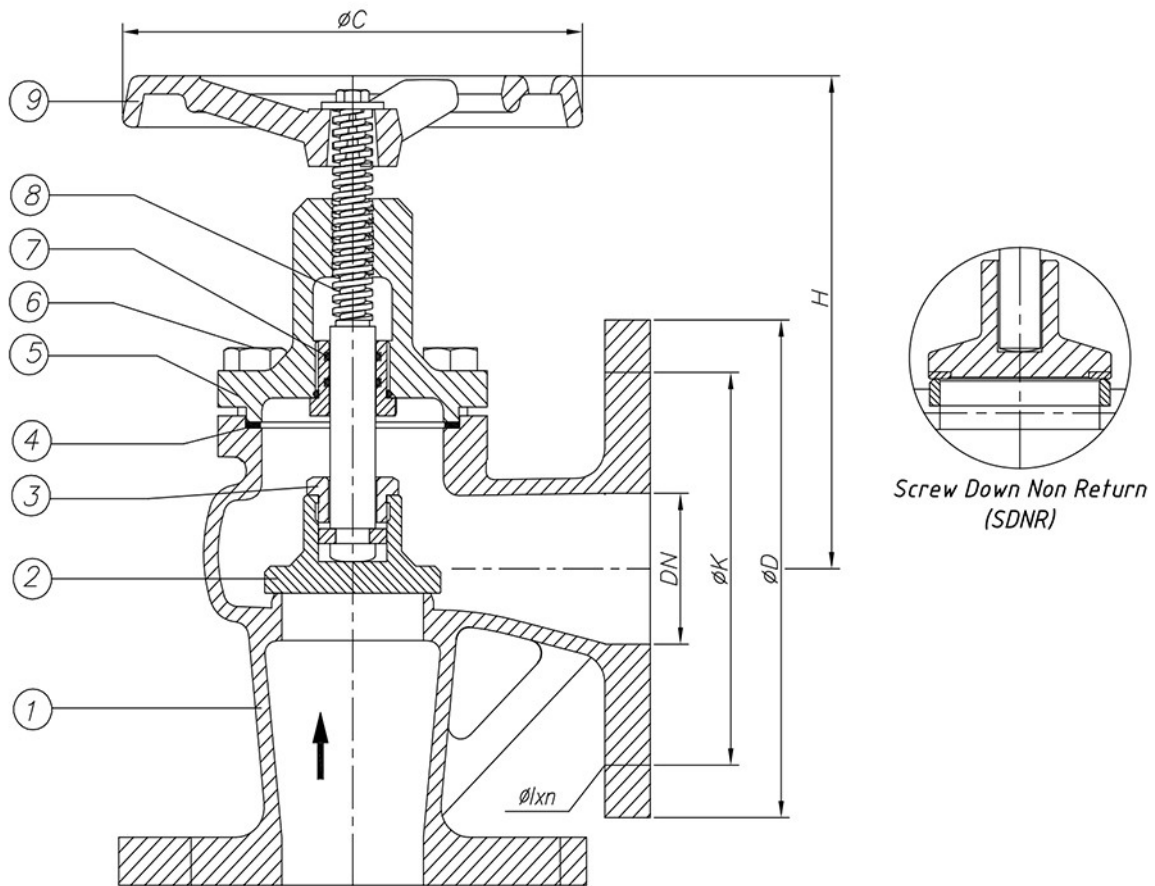
FEATURES

- Angle body configuration allowing 90° flow direction change
- Short pattern design
- Optional Screw Down Non Return (SDNR) function
- Aluminium alloy body and bonnet construction
- Stainless steel stem

GLOBE VALVE

Aluminum Angle Globe Valve PN16

SECTION Technical drawing REF EFC-85



GLOBE VALVE

Aluminum Angle Globe Valve PN16

SECTION Dimensions per size REF EFC-85

SIZE	L	H	C	D	K
DN15	65	130	120	95	65
DN20	65	135	120	105	75
DN25	70	150	140	115	85
DN32	90	170	140	140	100
DN40	90	170	140	150	110
DN50	105	185	160	165	125
DN65	115	240	180	185	145
DN80	125	260	200	200	160
DN100	145	280	225	220	180

All dimensions in millimetres unless stated otherwise. Values are nominal; tolerances confirmed at quote.