

GLOBE VALVE

Aluminum Straight Globe Valve

MODEL **VGSD-16** REF **EFC-84** ISSUED **05 Jun 2026**

SPECIFICATIONS

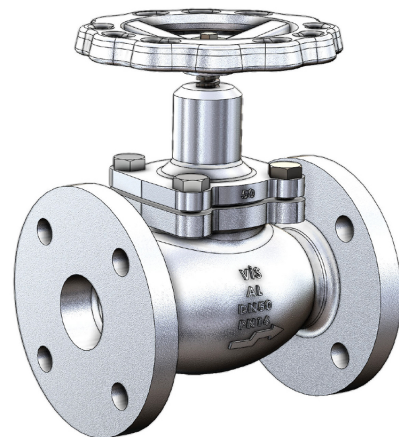
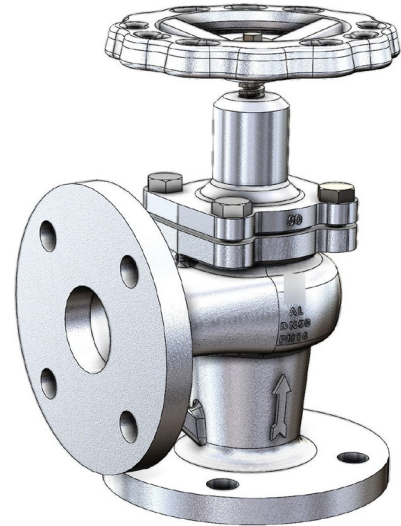
Size	DN15–DN100
Pressure	PN16
End connection	flanged (EN 1092)
Face-to-face	VisVana Design (Short Pattern)

ACTUATION

- manual handwheel — Aluminium alloy handwheel

STANDARDS

Test	EN 12266
------	-----------------



MATERIALS

body	aluminium alloy	disc	aluminium alloy
gasket	compressed fibre / gasket sheet	bonnet	aluminium alloy
o ring	nitrile rubber	stem	stainless steel
handwheel	aluminium alloy		

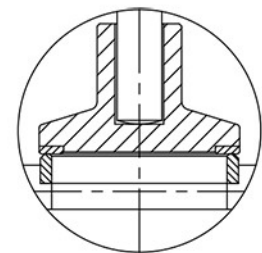
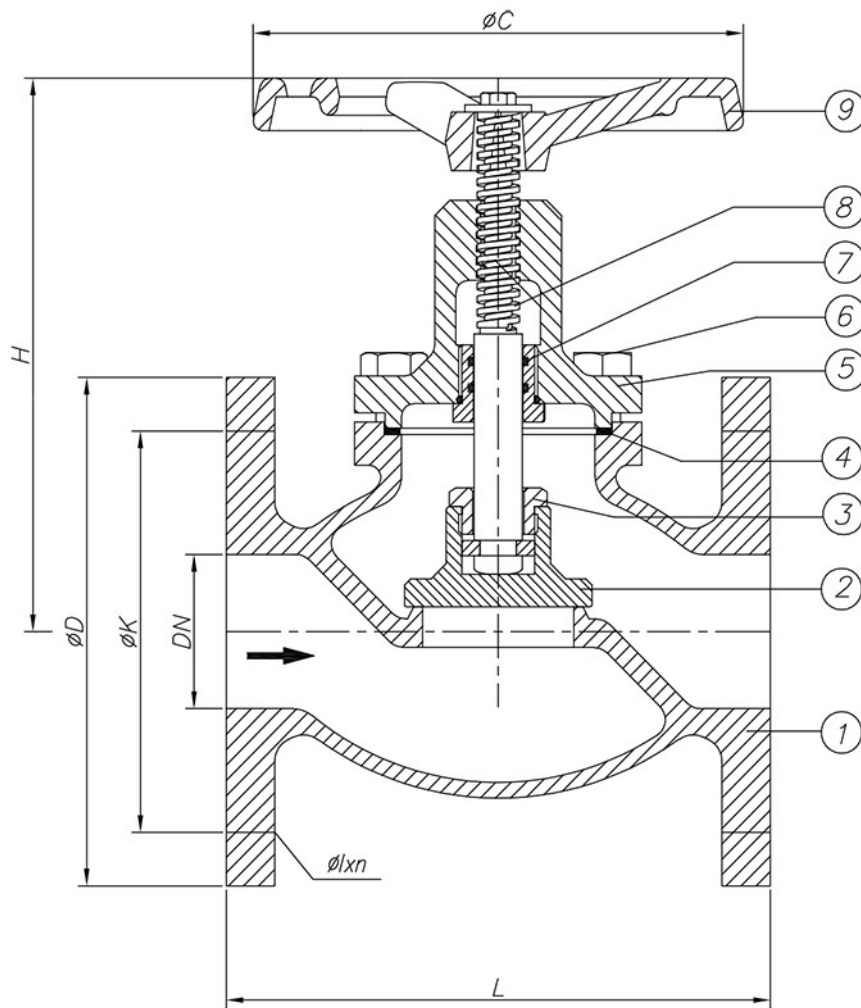
FEATURES

-
- Short pattern design
 - SDNR (Screw Down Non Return) type option available
 - Aluminium alloy body, bonnet, disc and handwheel
 - Stainless steel stem (SS304)
 - Klingerite gasket sealing
 - NBR O-ring

GLOBE VALVE

Aluminum Straight Globe Valve

SECTION Technical drawing REF EFC-84



Screw Down Non Return (SDNR)

GLOBE VALVE

Aluminum Straight Globe Valve

SECTION Dimensions per size REF EFC-84

SIZE	L	H	C	D	K
DN15	120	150	120	95	65
DN20	120	155	120	105	75
DN25	140	170	140	115	85
DN32	150	185	140	140	100
DN40	155	190	140	150	110
DN50	180	200	160	165	125
DN65	200	245	180	185	145
DN80	240	290	200	200	160
DN100	270	315	225	220	180

All dimensions in millimetres unless stated otherwise. Values are nominal; tolerances confirmed at quote.