

GLOBE VALVE

# Short Type Angle Globe Valve

MODEL VGSA-16 REF EFC-83 ISSUED 05 Jun 2026

## SPECIFICATIONS

Size	DN15–DN200
Pressure	PN16
End connection	flanged (EN 1092-3/A)

## ACTUATION

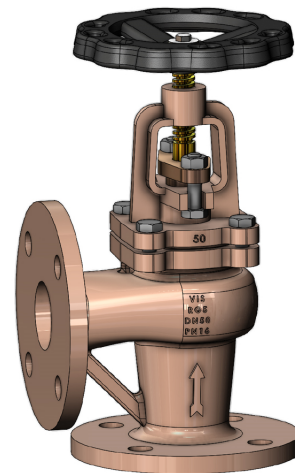
- handwheel — GG 25 handwheel

## STANDARDS

Design	DIN 3356-1
Test	EN 12266

## APPLICATIONS

- SDNR (Screw Down Non Return) duty
- flow regulation with optional regulating disc



**MATERIALS**

---

body	<b>bronze</b>	disc	<b>bronze</b>
gasket	<b>compressed fibre</b>	bonnet	<b>bronze</b>
packing	<b>graphite</b>	stem	<b>brass</b>
handwheel	<b>grey cast iron</b>		

---

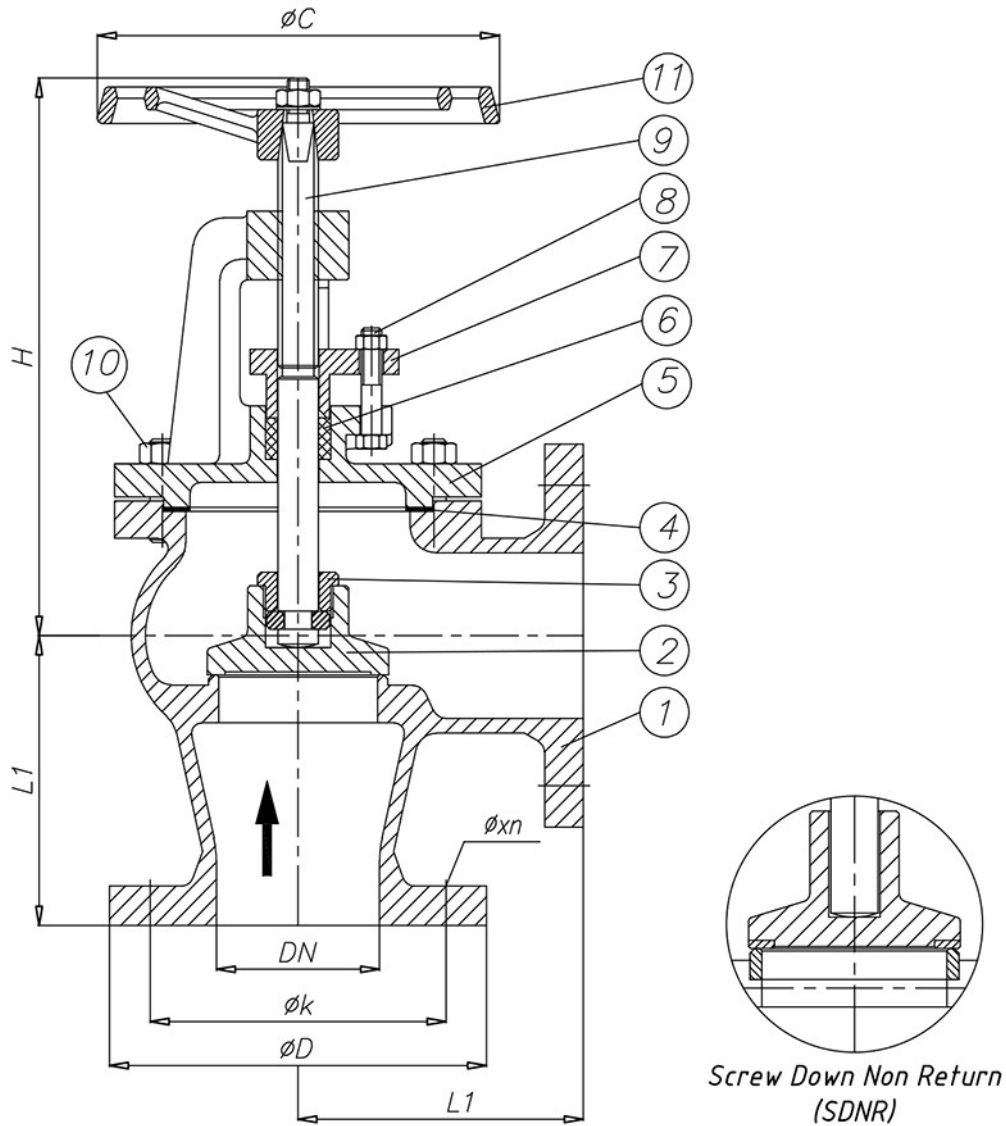
**FEATURES**

- 
- Short pattern design to DIN 3356-1
  - Angle body configuration (90°)
  - Optional SDNR (Screw Down Non Return) type
  - Optional regulating disc
  - Graphite packing
  - Klingerite gasket
  - Stainless steel A2 fasteners

GLOBE VALVE

# Short Type Angle Globe Valve

SECTION Technical drawing REF EFC-83



GLOBE VALVE

# Short Type Angle Globe Valve

SECTION Dimensions per size REF EFC-83

SIZE	L	H	C	D	K	WEIGHT
DN15	65	157	120	95	65	4 kg
DN20	65	175	120	105	75	5.5 kg
DN25	70	190	140	115	85	6.5 kg
DN32	90	205	140	140	100	8.5 kg
DN40	90	215	160	150	110	10 kg
DN50	105	235	160	165	125	13 kg
DN65	115	260	180	185	145	23 kg
DN80	125	265	200	200	160	31 kg
DN100	145	285	225	220	180	41 kg
DN125	170	310	250	250	210	65 kg
DN150	200	340	300	285	240	90 kg
DN200	250	570	400	340	295	127 kg

All dimensions in millimetres unless stated otherwise. Values are nominal; tolerances confirmed at quote.