

GLOBE VALVE

Secured Bonnet Short Type Straight Globe Valve

MODEL VGSDU-16 REF EFC-82 ISSUED 05 Jun 2026

SPECIFICATIONS

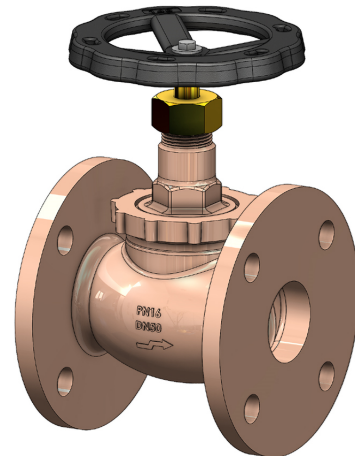
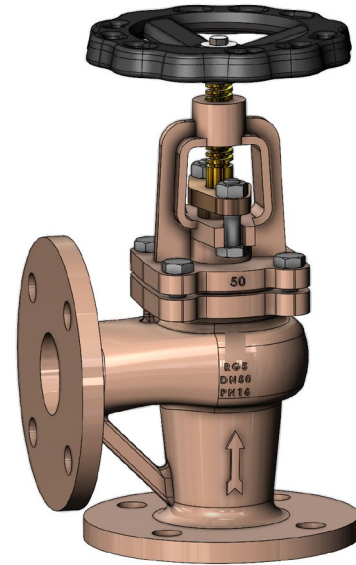
| | |
|----------------|-----------------------|
| Size | DN15–DN100 |
| Pressure | PN16 |
| End connection | flanged (EN 1092-3/A) |
| Face-to-face | VisVana Design |

ACTUATION

- manual handwheel — GG 25 handwheel

STANDARDS

| | |
|------|----------|
| Test | EN 12266 |
|------|----------|



MATERIALS

| | | | |
|-----------|-------------------------|---------|-----------------|
| body | bronze | disc | bronze |
| gasket | compressed fibre | bonnet | bronze |
| stem | brass | packing | graphite |
| handwheel | grey cast iron | | |

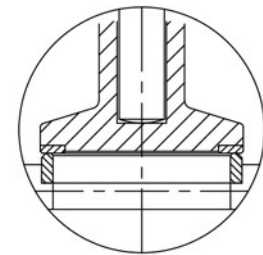
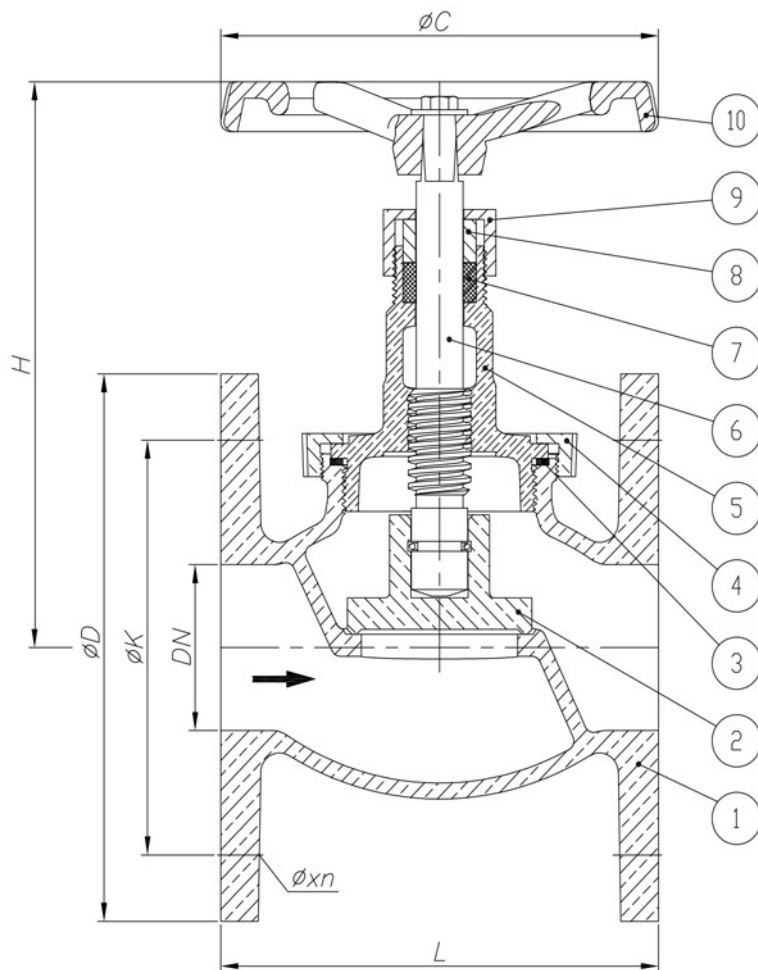
FEATURES

- Union bonnet short pattern design
- Regulating disc option available
- Graphite packing
- Screw Down Non Return (SDNR) variant available

GLOBE VALVE

Secured Bonnet Short Type Straight Globe Valve

SECTION Technical drawing REF EFC-82



Screw Down Non Return (SDNR)

GLOBE VALVE

Secured Bonnet Short Type Straight Globe Valve

SECTION Dimensions per size REF EFC-82

| SIZE | L | H | C | D | K | WEIGHT |
|-------|-----|-----|-----|-----|-----|--------|
| DN10 | 70 | 100 | 60 | 90 | 60 | 1.4 kg |
| DN15 | 70 | 100 | 60 | 95 | 65 | 1.8 kg |
| DN20 | 80 | 115 | 80 | 105 | 75 | 2.3 kg |
| DN25 | 90 | 125 | 80 | 115 | 85 | 3 kg |
| DN32 | 105 | 135 | 90 | 140 | 100 | 4.2 kg |
| DN40 | 120 | 145 | 100 | 150 | 110 | 5.5 kg |
| DN50 | 140 | 180 | 140 | 165 | 125 | 8 kg |
| DN65 | 180 | 200 | 160 | 185 | 145 | 12 kg |
| DN80 | 200 | 215 | 180 | 200 | 160 | 15 kg |
| DN100 | 230 | 250 | 200 | 220 | 180 | 21 kg |

All dimensions in millimetres unless stated otherwise. Values are nominal; tolerances confirmed at quote.