

GLOBE VALVE

Short Type Straight Globe Valve

MODEL VGSD-16 REF EFC-81 ISSUED 05 Jun 2026

SPECIFICATIONS

Size	DN15–DN200
Pressure	PN16
End connection	flanged (EN 1092-3/A)
Face-to-face	VisVana Design

ACTUATION

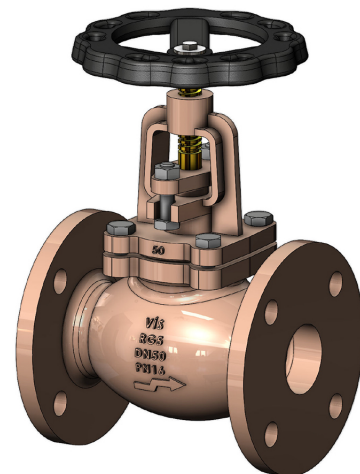
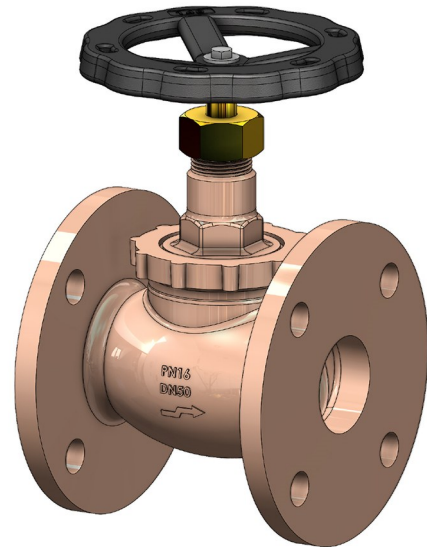
- manual handwheel — GG 25 handwheel

STANDARDS

Design	DIN 3356-1
Test	EN 12266

APPLICATIONS

- SDNR (Screw Down Non Return) duty
- Flow regulation with optional regulating disc



MATERIALS

body	bronze	disc	bronze
gasket	compressed fibre	bonnet	bronze
packing	graphite	stem	brass
handwheel	grey cast iron		

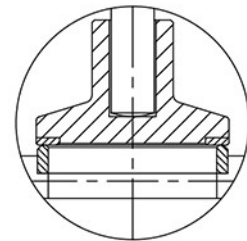
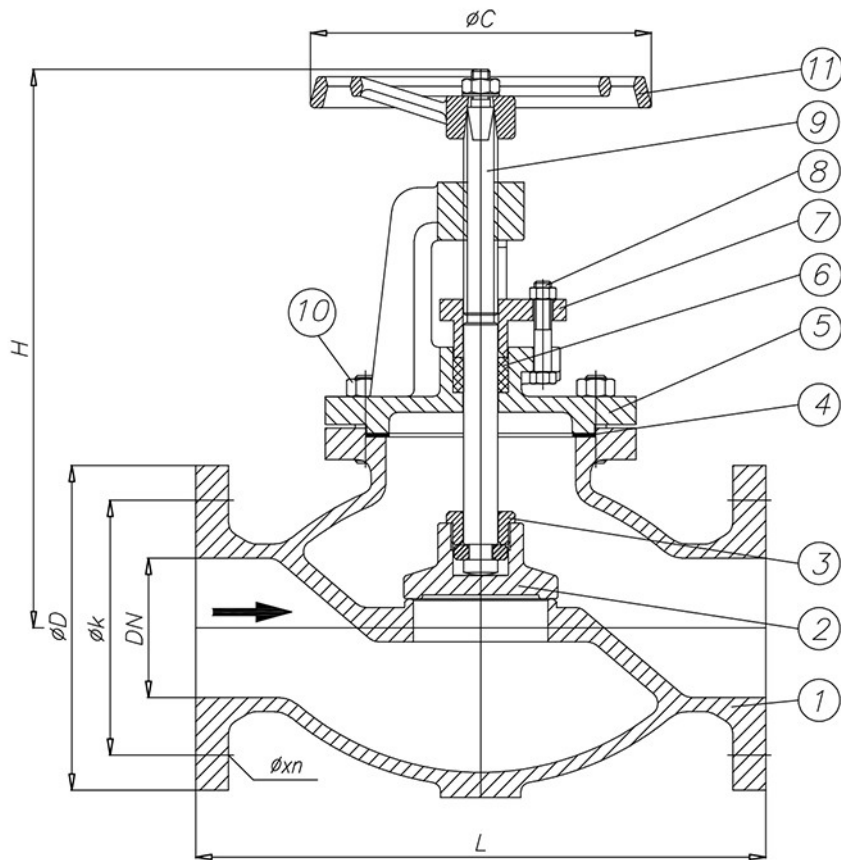
FEATURES

- Short pattern design per DIN 3356-1
- Optional SDNR (Screw Down Non Return) configuration
- Optional regulating disc
- Graphite packing
- Klingerite gasket
- Stainless steel bolting (A2/SS304)

GLOBE VALVE

Short Type Straight Globe Valve

SECTION Technical drawing REF EFC-81



Screw Down Non Return
(SDNR)

GLOBE VALVE

Short Type Straight Globe Valve

SECTION Dimensions per size REF EFC-81

SIZE	L	H	C	D	K	WEIGHT
DN15	120	175	120	95	65	4.5 kg
DN20	120	175	120	105	75	5 kg
DN25	140	178	140	115	85	6 kg
DN32	150	200	140	140	100	9 kg
DN40	155	220	160	150	110	10 kg
DN50	180	250	160	165	125	13.5 kg
DN65	200	260	180	185	145	23 kg
DN80	240	300	200	200	160	32 kg
DN100	270	350	225	220	180	43 kg
DN125	320	380	250	250	210	62 kg
DN150	370	440	300	285	240	88 kg
DN200	500	620	400	340	295	136 kg

All dimensions in millimetres unless stated otherwise. Values are nominal; tolerances confirmed at quote.