

GLOBE VALVE

# Angle Type Globe Valve 300LB

MODEL VAB-C300 REF EFC-80 ISSUED 05 Jun 2026

## SPECIFICATIONS

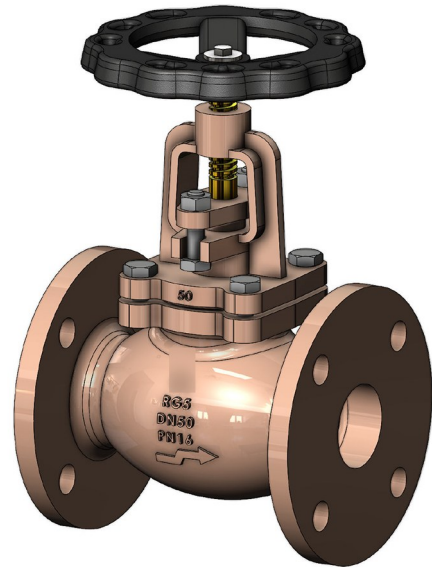
Size	DN15–DN300
Pressure	Class 300
End connection	flanged (ANSI B16.5)
Face-to-face	ANSI B16.10, BS 1873

## ACTUATION

- manual handwheel — Cast iron handwheel

## STANDARDS

Design	ASME B16.34
Test	API 598



**MATERIALS**

body                    **cast iron, ductile iron, carbon steel,  
bronze, tin bronze, austenitic stainless  
steel**

disc                    **bronze, martensitic stainless steel,  
austenitic stainless steel, tin bronze**

packing                **graphite**

gasket                **compressed fibre, graphite**

seat                    **bronze, martensitic stainless steel,  
austenitic stainless steel, tin bronze**

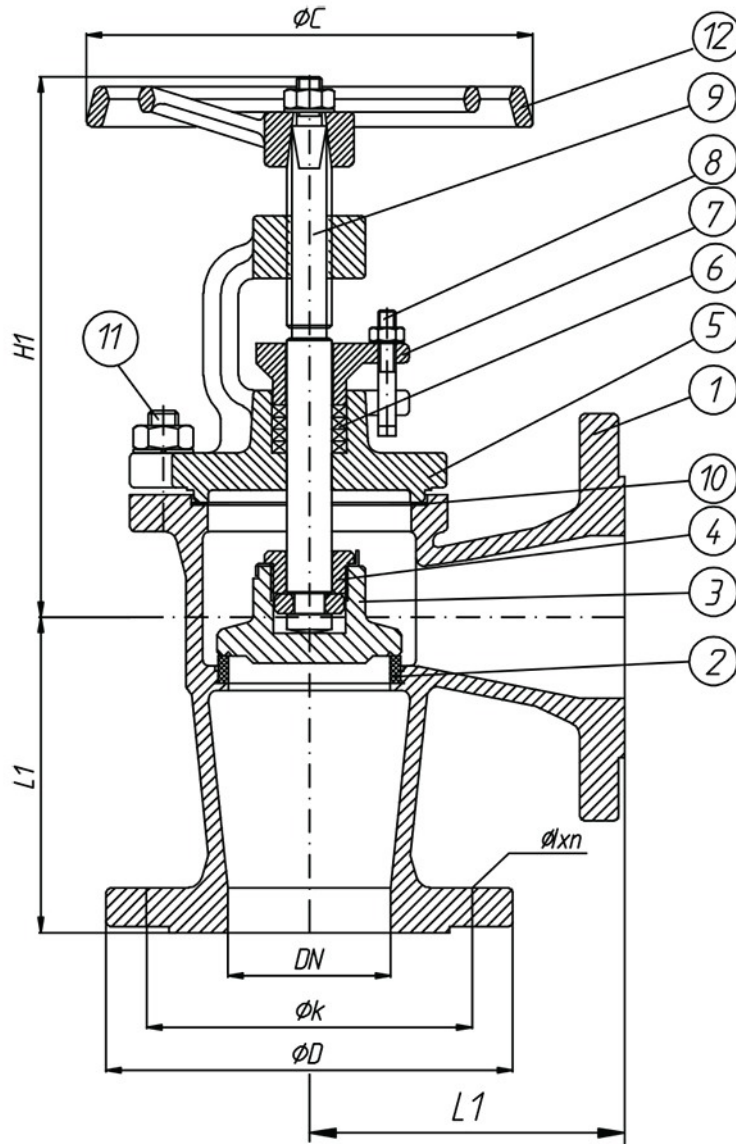
bonnet                **cast iron, ductile iron, carbon steel,  
bronze, tin bronze, austenitic stainless  
steel**

stem                   **brass, martensitic stainless steel,  
austenitic stainless steel, tin bronze**

GLOBE VALVE

# Angle Type Globe Valve 300LB

SECTION Technical drawing REF EFC-80



GLOBE VALVE

# Angle Type Globe Valve 300LB

SECTION Dimensions per size REF EFC-80

SIZE	L_C300	OC	H_MAX	D	K	WEIGHT
DN15	76	120	155	95	67	95 kg
DN20	89	120	155	117	83	4.5 kg
DN25	102	140	170	124	89	5.5 kg
DN32	108	140	175	133	99	8 kg
DN40	114	160	195	155	127	11 kg
DN50	133	160	205	165	127	13 kg
DN65	146	180	225	191	149.4	19 kg
DN80	159	200	250	210	168	26 kg
DN100	178	225	305	254	200.2	37 kg
DN125	208	250	315	279	235	53 kg
DN150	222	285	380	318	269.7	70 kg
DN200	279	340	425	381	330.2	145 kg
DN250	330	405	470	445	387.4	160 kg
DN300	368	460	675	521	451	310 kg
DN350	419	460	785	584	514.4	430 kg

All dimensions in millimetres unless stated otherwise. Values are nominal; tolerances confirmed at quote.