

GLOBE VALVE

Angle Type SDNR Globe Valve 150 Lb

MODEL **VKCA-C150** REF **EFC-79** ISSUED **05 Jun 2026**

SPECIFICATIONS

Size	DN15–DN300
Pressure	CLASS 150
End connection	flanged (ASME B16.5)
Face-to-face	ASME B16.10

STANDARDS

Test	API 598
------	----------------



MATERIALS

body	carbon steel, bronze, stainless steel	seat	bronze, stainless steel
disc	bronze, stainless steel	spring	stainless steel
bonnet	carbon steel, bronze, stainless steel	packing	graphite/fibre
stem	stainless steel / bronze	gasket	graphite/fibre
handwheel	carbon steel		

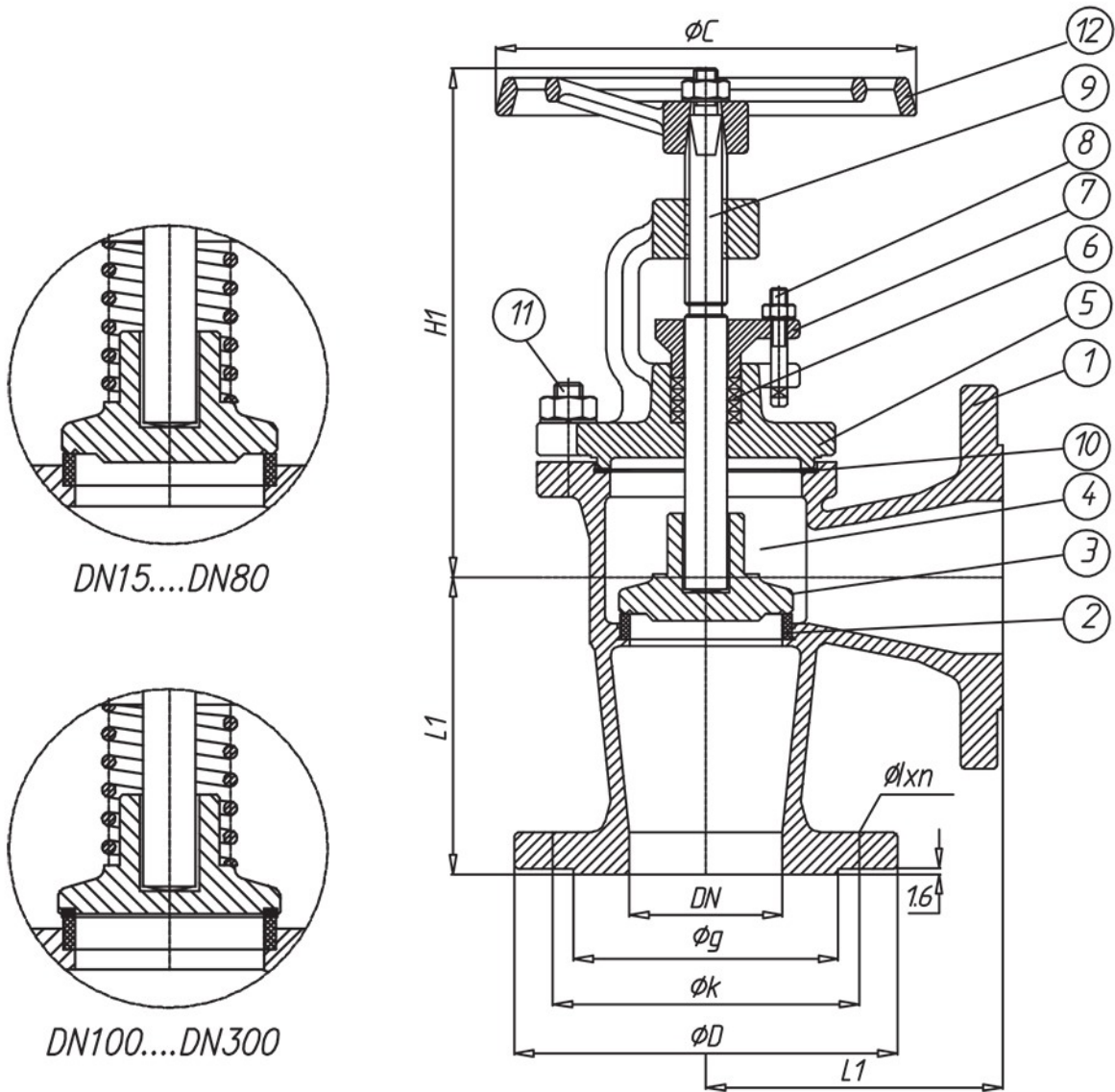
FEATURES

- Angle type body configuration
- SDNR (Screw-Down Non-Return) disc arrangement
- Fully stainless steel or bronze discs available as option in DN80 and larger sizes
- Two body sub-types: DN15–DN80 and DN100–DN300 (different bolt pattern configuration)

GLOBE VALVE

Angle Type SDNR Globe Valve 150 Lb

SECTION Technical drawing REF EFC-79



GLOBE VALVE

Angle Type SDNR Globe Valve 150 Lb

SECTION Dimensions per size REF EFC-79

SIZE	L1	OC	H1MAX	OD	OK	OG	B	OLXN	WEIGHT
DN15	57	120	155	89	60.5	35	10	null	4 kg
DN20	64	120	155	99	70	43	10.5	null	4.5 kg
DN25	70	140	170	108	79.2	51	11.5	null	5.5 kg
DN32	82	140	175	117	89	64	13	null	7 kg
DN40	83	160	195	127	98.6	73	14.5	null	11 kg
DN50	102	160	205	152	120.7	92	16	null	13.5 kg
DN65	108	180	225	178	139.7	105	18	null	19 kg
DN80	124	200	250	191	152.4	127	19.5	null	24 kg
DN100	146	225	305	229	190.5	157	24	null	33 kg
DN125	178	250	315	254	216	186	24	null	48 kg
DN150	203	285	380	279	241.3	216	25.5	null	62 kg
DN200	248	340	425	343	298.5	270	29	null	128 kg
DN250	311	405	470	406	362	324	30.5	null	135 kg
DN300	349	460	675	483	431.8	381	32	null	270 kg

All dimensions in millimetres unless stated otherwise. Values are nominal; tolerances confirmed at quote.