

GLOBE VALVE

Straight Type SDNR Globe Valve 150Lb

MODEL VKC-C150 REF EFC-78 ISSUED 05 Jun 2026

SPECIFICATIONS

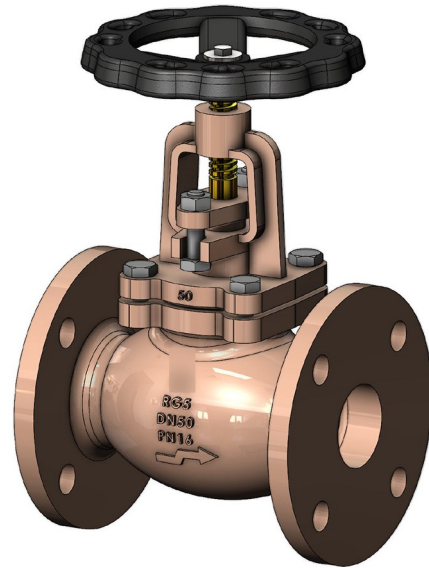
Size	DN15–DN400
Pressure	Class 150
End connection	flanged (ANSI B16.5)
Face-to-face	ANSI B16.10

ACTUATION

- manual handwheel — Rising stem (RS), outside screw and yoke (OSY), cast iron handwheel

STANDARDS

Design	ANSI B16.10
Test	API 598



MATERIALS

body	cast iron, ductile iron, carbon steel, bronze, stainless steel	seat	bronze, stainless steel
disc	bronze, stainless steel	spring	stainless steel
stem	brass, stainless steel, bronze	gasket	compressed fibre, graphite
bonnet	cast iron, ductile iron, carbon steel, bronze, stainless steel	packing	graphite
bushing	ductile iron, carbon steel, bronze, stainless steel	handwheel	cast iron

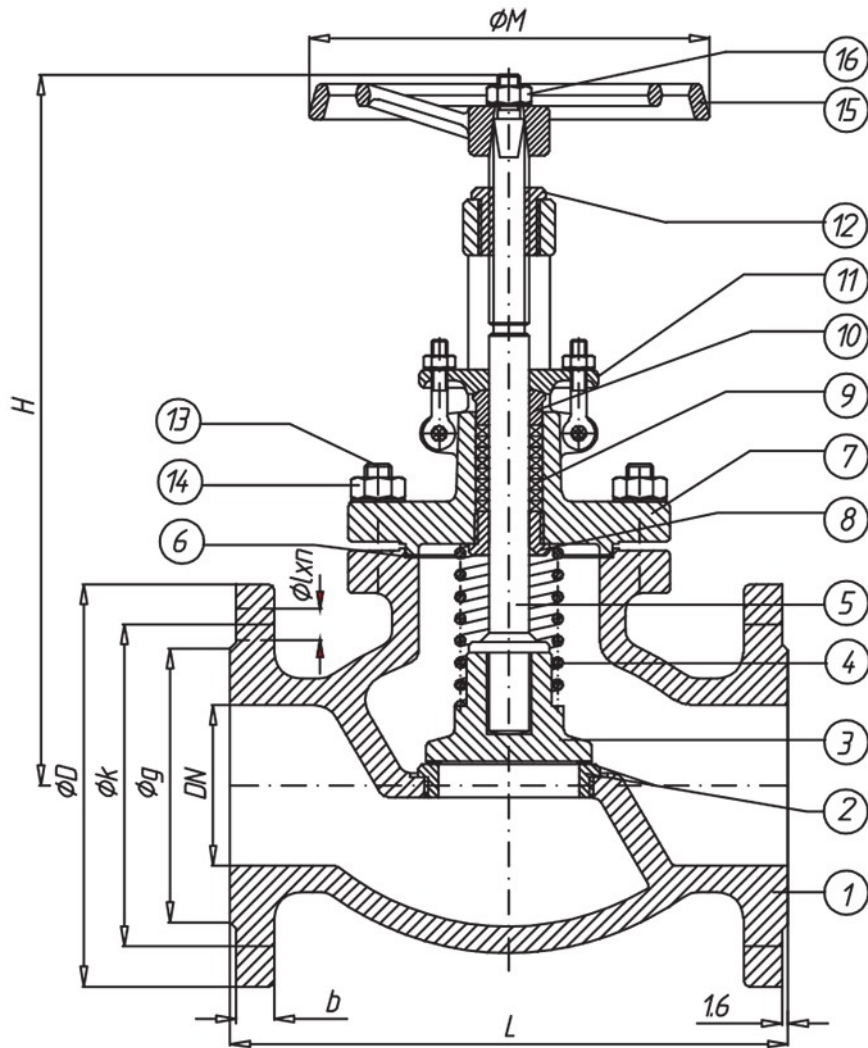
FEATURES

- Conical disc design
- Bolted bonnet (BB)
- Outside screw and yoke (OSY)
- Rising stem with handwheel
- Bolted gland arrangement (BG)
- Back seat provided
- Totally stainless steel or bronze discs optional in DN80 (3") and larger sizes
- Graphite packing

GLOBE VALVE

Straight Type SDNR Globe Valve 150Lb

SECTION Technical drawing REF EFC-78



GLOBE VALVE

Straight Type SDNR Globe Valve 150Lb

SECTION Dimensions per size REF EFC-78

SIZE	L	H	OD	OK	OG	B	OM	OIXN	WEIGHT
DN15	108	185	89	60.5	35	10	—	—	4 kg
DN20	117	205	99	70	43	10.5	100	—	4.5 kg
DN25	127	210	108	79.2	51	11.5	—	—	5.5 kg
DN32	140	220	117	89	64	13	140	Ø16x4	8.5 kg
DN40	165	240	127	98.6	73	14	—	—	12 kg
DN50	203	330	152.5	120.7	92	16	200	—	18 kg
DN65	216	360	178	139.7	105	17.5	—	Ø19x4	23 kg
DN80	241	375	190.5	152.4	127	19	250	—	35 kg
DN100	292	435	229	190.5	157	24	—	Ø19x8	45 kg
DN125	355.6	485	254	216	185.7	24	350	—	70 kg
DN150	406.4	530	279.5	241.3	216	25.5	—	—	86 kg
DN200	495	615	343	298.5	270	28.5	450	Ø22x8	130 kg
DN250	622	770	406.5	362	324	30.2	—	—	205 kg
DN300	698.5	880	483	431.8	381	32	500	Ø25.5x12	325 kg
DN350	787	1100	533	476	413	35	650	Ø29x12	650 kg
DN400	914	1220	597	539.5	470	36.6	—	Ø29x16	1050 kg

All dimensions in millimetres unless stated otherwise. Values are nominal; tolerances confirmed at quote.