

GLOBE VALVE

Angle Type Globe Valve 150LB

MODEL VAB-C150 REF EFC-77 ISSUED 05 Jun 2026

SPECIFICATIONS

| | |
|----------------|---|
| Size | DN15–DN300 |
| Pressure | Class 150–Class 300 |
| End connection | flanged (ANSI B16.5) / flanged (ANSI B16.5) |
| Face-to-face | ANSI B16.10, BS 1873, ASME B16.34 |

ACTUATION

- manual handwheel — Cast iron handwheel

STANDARDS

| | |
|------|---------|
| Test | API 598 |
|------|---------|



MATERIALS

| | |
|------|---|
| body | cast iron, ductile iron, carbon steel, bronze, stainless steel |
|------|---|

| | |
|------|--------------------------------|
| seat | bronze, stainless steel |
|------|--------------------------------|

| | |
|------|--------------------------------|
| disc | bronze, stainless steel |
|------|--------------------------------|

| | |
|--------|---|
| bonnet | cast iron, ductile iron, carbon steel, bronze, stainless steel |
|--------|---|

| | |
|---------|-----------------|
| packing | graphite |
|---------|-----------------|

| | |
|------|---------------------------------------|
| stem | brass, stainless steel, bronze |
|------|---------------------------------------|

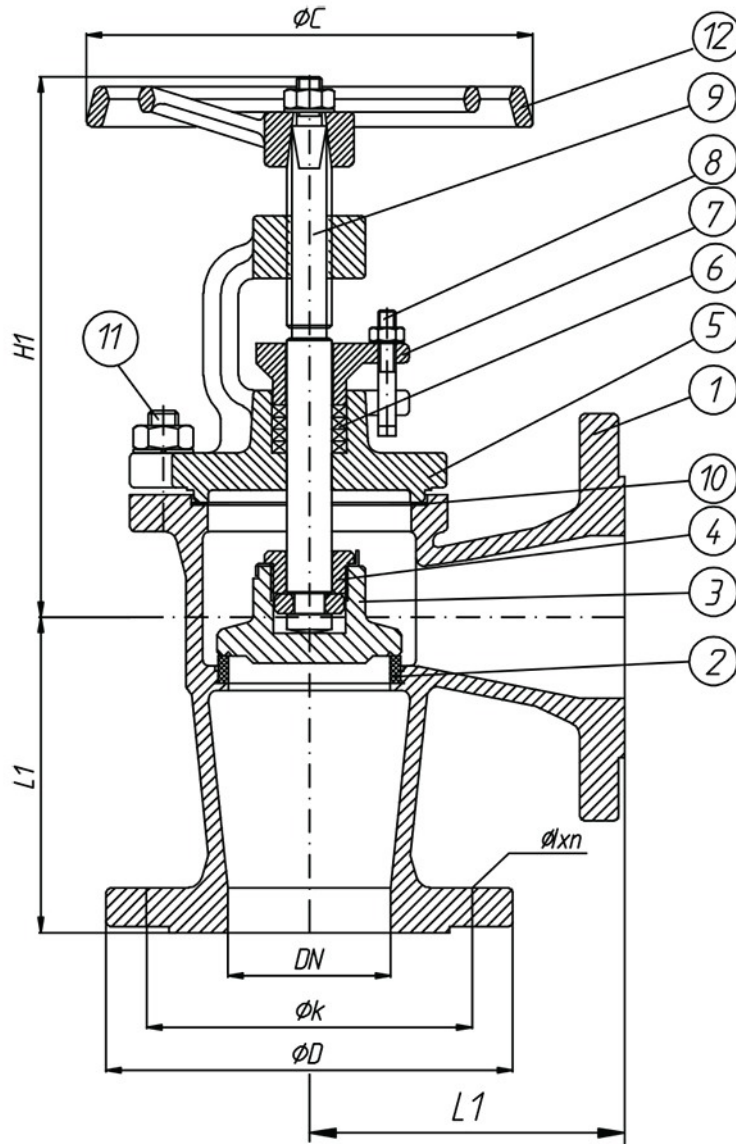
| | |
|--------|-----------------------------------|
| gasket | compressed fibre, graphite |
|--------|-----------------------------------|

| | |
|-----------|------------------|
| handwheel | cast iron |
|-----------|------------------|

GLOBE VALVE

Angle Type Globe Valve 150LB

SECTION Technical drawing REF EFC-77



GLOBE VALVE

Angle Type Globe Valve 150LB

SECTION Dimensions per size REF EFC-77

| SIZE | L_C150 | L_C300 | OC | H_MAX | D_C150 | K_C150 | D_C300 | K_C300 | WEIGHT |
|-------|--------|--------|-----|-------|--------|--------|--------|--------|--------|
| DN15 | 57 | 76 | 120 | 155 | 89 | 60.5 | 95 | 67 | 4 kg |
| DN20 | 64 | 89 | 120 | 155 | 99 | 70 | 117 | 83 | 4.5 kg |
| DN25 | 70 | 102 | 140 | 170 | 108 | 79.2 | 124 | 89 | 5.5 kg |
| DN32 | 76 | 108 | 140 | 175 | 117 | 89 | 133 | 99 | 8 kg |
| DN40 | 83 | 114 | 160 | 195 | 127 | 98.6 | 155 | 127 | 11 kg |
| DN50 | 102 | 133 | 160 | 205 | 152 | 120.7 | 165 | 149.4 | 13 kg |
| DN65 | 108 | 146 | 180 | 225 | 178 | 139.7 | 191 | 168 | 19 kg |
| DN80 | 121 | 159 | 200 | 250 | 191 | 152.4 | 210 | 200.2 | 26 kg |
| DN100 | 146 | 178 | 225 | 305 | 229 | 190.5 | 254 | 235 | 37 kg |
| DN125 | 178 | 208 | 250 | 315 | 254 | 216 | 279 | 269.7 | 53 kg |
| DN150 | 203 | 222 | 285 | 380 | 279 | 241.3 | 318 | 330.2 | 70 kg |
| DN200 | 248 | 279 | 340 | 425 | 343 | 298.5 | 381 | 387.4 | 140 kg |
| DN250 | 311 | 330 | 405 | 470 | 406 | 431.8 | 445 | 451 | 150 kg |
| DN300 | 349 | 356 | 460 | 675 | 483 | 476.3 | 521 | 514.4 | 300 kg |
| DN350 | 394 | 411 | 460 | 785 | 533 | 539.8 | 584 | 539.8 | 415 kg |

All dimensions in millimetres unless stated otherwise. Values are nominal; tolerances confirmed at quote.