

GLOBE VALVE

SS SDNR Globe Valve - BSP

MODEL VKCDS-20 REF EFC-74 ISSUED 05 Jun 2026

SPECIFICATIONS

Size	DN15–DN50
Pressure	20 Bar
End connection	threaded (BSPT)
Temperature	-20°C to 180°C
Media	water, oil, gas

ACTUATION

- manual handwheel — GG 25 handwheel

APPLICATIONS

- water
- oil
- gas



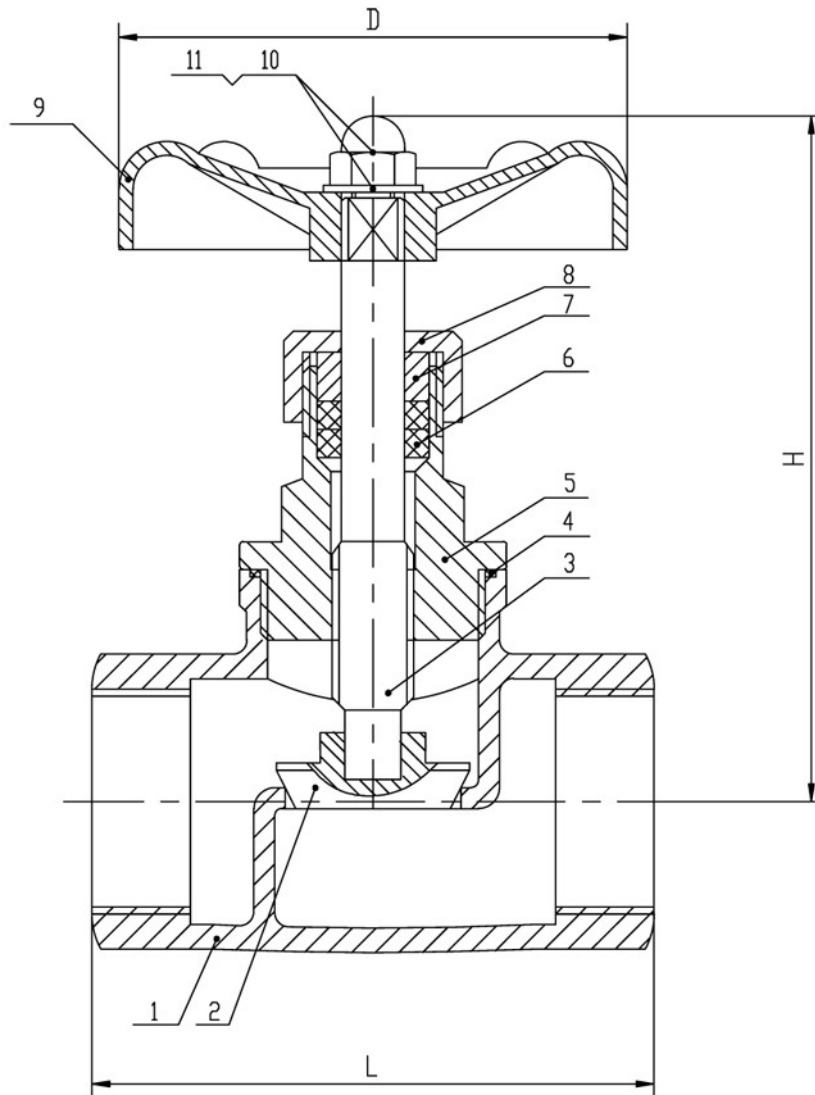
MATERIALS

body	stainless steel	disc	stainless steel
stem	stainless steel	gasket	PTFE
bonnet	stainless steel	packing	PTFE
handwheel	cast iron		

GLOBE VALVE

SS SDNR Globe Valve - BSP

SECTION Technical drawing REF EFC-74



GLOBE VALVE

SS SDNR Globe Valve - BSP

SECTION Dimensions per size REF EFC-74

SIZE	L	D	H
DN15	59	64	90
DN20	69	64	95
DN25	79	73	105
DN32	98	76	125
DN40	104	98	135
DN50	119	98	145

All dimensions in millimetres unless stated otherwise. Values are nominal; tolerances confirmed at quote.