

GLOBE VALVE

Bronze SDSL Globe Valve - BSPT

MODEL **VDBS-16** REF **EFC-71** ISSUED **05 Jun 2026**

SPECIFICATIONS

Size	DN15–DN50
Pressure	16 bar
End connection	threaded (BSPT)
Temperature	null°C to 170°C
Media	water, oil, gas

ACTUATION

- manual handwheel

APPLICATIONS

- water
- oil and gas

MATERIALS

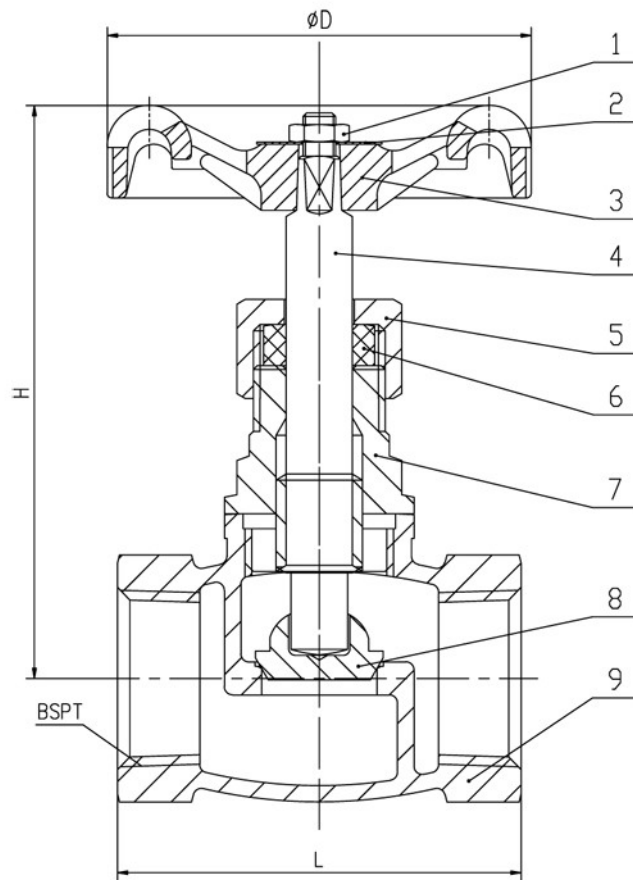
body	bronze	bonnet	bronze
disc	bronze	stem	brass
packing	PTFE	handwheel	aluminium



GLOBE VALVE

Bronze SDSL Globe Valve - BSPT

SECTION Technical drawing REF EFC-71



GLOBE VALVE

Bronze SDSL Globe Valve - BSPT

SECTION Dimensions per size REF EFC-71

SIZE	L	OD	H
DN15	49	52	71
DN20	56	60	73
DN25	66	65	87
DN32	74	70	95
DN40	85	78	110
DN50	100	92	124

All dimensions in millimetres unless stated otherwise. Values are nominal; tolerances confirmed at quote.