

GLOBE VALVE

Bronze Globe Valve Straight Type (Screw Bonnet)

MODEL **VGSS-16** REF **EFC-70** ISSUED **05 Jun 2026**

SPECIFICATIONS

Size	DN15–DN100
Pressure	PN10–PN16
End connection	flanged (DIN EN 1092)
Face-to-face	DIN EN 1092

ACTUATION

- manual handwheel — GG 25 cast iron handwheel

STANDARDS

Test	DIN EN 12266
------	---------------------



MATERIALS

body	bronze	disc	bronze
stem	brass / bronze	gasket	elastomer / PTFE
bonnet	bronze	packing	graphite / PTFE
handwheel	grey cast iron		

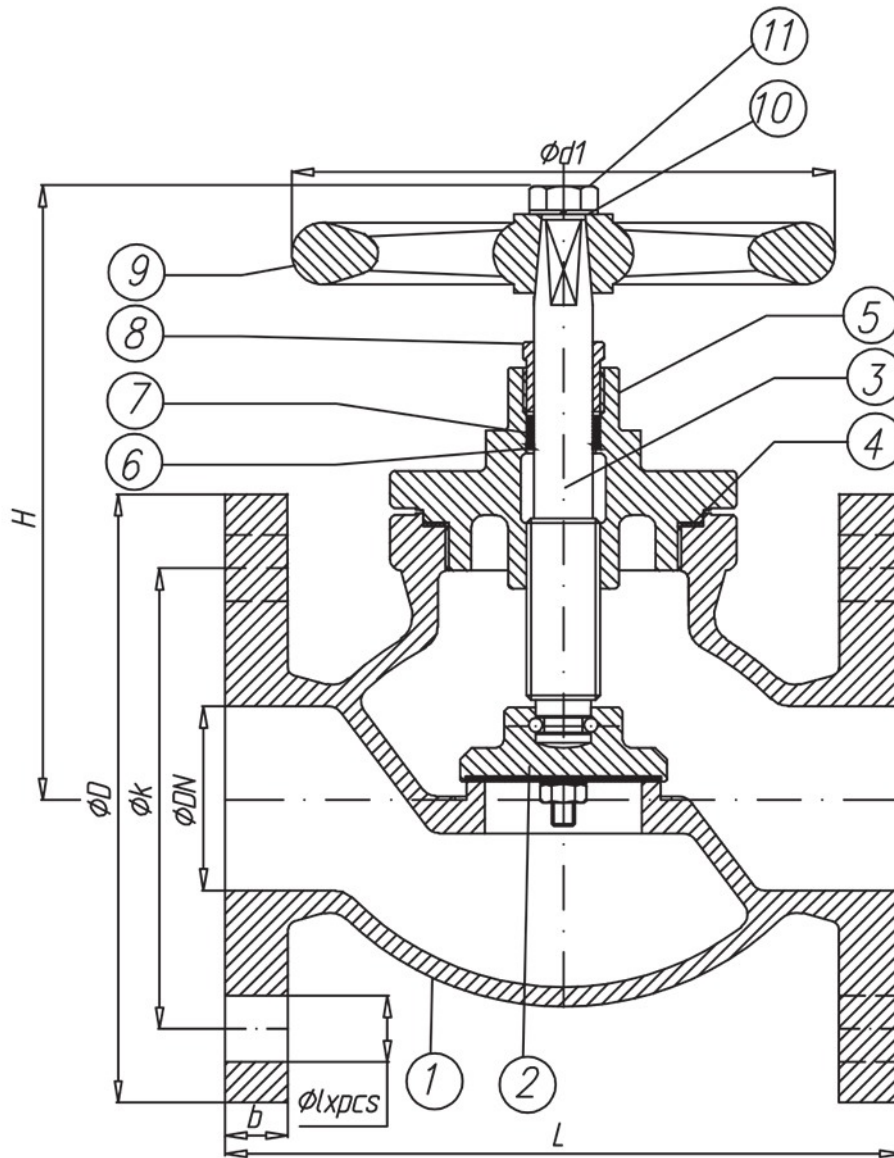
FEATURES

- Screw bonnet design
- Short-type body configuration
- Bronze body, disc, and bonnet (G-CuSn5Zn5Pb5-C)
- Graphite + PTFE packing
- Available in bronze options RG7, RG10, CuSn10

GLOBE VALVE

Bronze Globe Valve Straight Type (Screw Bonnet)

SECTION Technical drawing REF EFC-70



GLOBE VALVE

Bronze Globe Valve Straight Type (Screw Bonnet

SECTION Dimensions per size REF EFC-70

SIZE	OD	OK	B	BOLT_HOLES	L	OD1	H	WEIGHT
DN15	95	65	12	Ø14x4	70	63	95	1.6 kg
DN20	105	75	12	Ø14x4	80	80	110	2.2 kg
DN25	115	85	12	Ø14x4	90	80	115	2.6 kg
DN32	140	100	14	Ø18x4	105	90	135	4.4 kg
DN40	150	110	14	Ø18x4	120	100	145	6.6 kg
DN50	165	125	16	Ø18x4	140	125	165	8.1 kg
DN65	185	145	16	Ø18x4	180	160	230	11.5 kg
DN80	200	160	18	Ø18x8	200	200	250	16.2 kg
DN100	220	180	20	Ø18x8	220	200	260	21.5 kg

All dimensions in millimetres unless stated otherwise. Values are nominal; tolerances confirmed at quote.