

GLOBE VALVE

Angle Type SDNR Globe Valve

MODEL VKCA-10-16-25-40 REF EFC-64 ISSUED 05 Jun 2026

SPECIFICATIONS

Size	DN15–DN600
Pressure	PN10–PN40
End connection	flanged (EN 1092-2/B)
Face-to-face	EN 558 Serie 8, DIN 3202 F32
Media	water, general industrial fluids

ACTUATION

- manual handwheel — GG 25 handwheel

STANDARDS

Design	DIN 3356
Test	EN 12266



MATERIALS

body	grey cast iron, ductile iron, ductile iron / cast steel, bronze, gunmetal, tin bronze, stainless steel, duplex stainless steel	seat	stainless steel, chrome steel, bronze, gunmetal
disc	stainless steel, chrome steel, bronze, gunmetal	spring	stainless steel
bonnet	grey cast iron, ductile iron, ductile iron / cast steel, bronze, gunmetal, tin bronze, stainless steel, duplex stainless steel	packing	graphite
stem	stainless steel / tin bronze	gasket	compressed fibre
handwheel	grey cast iron		

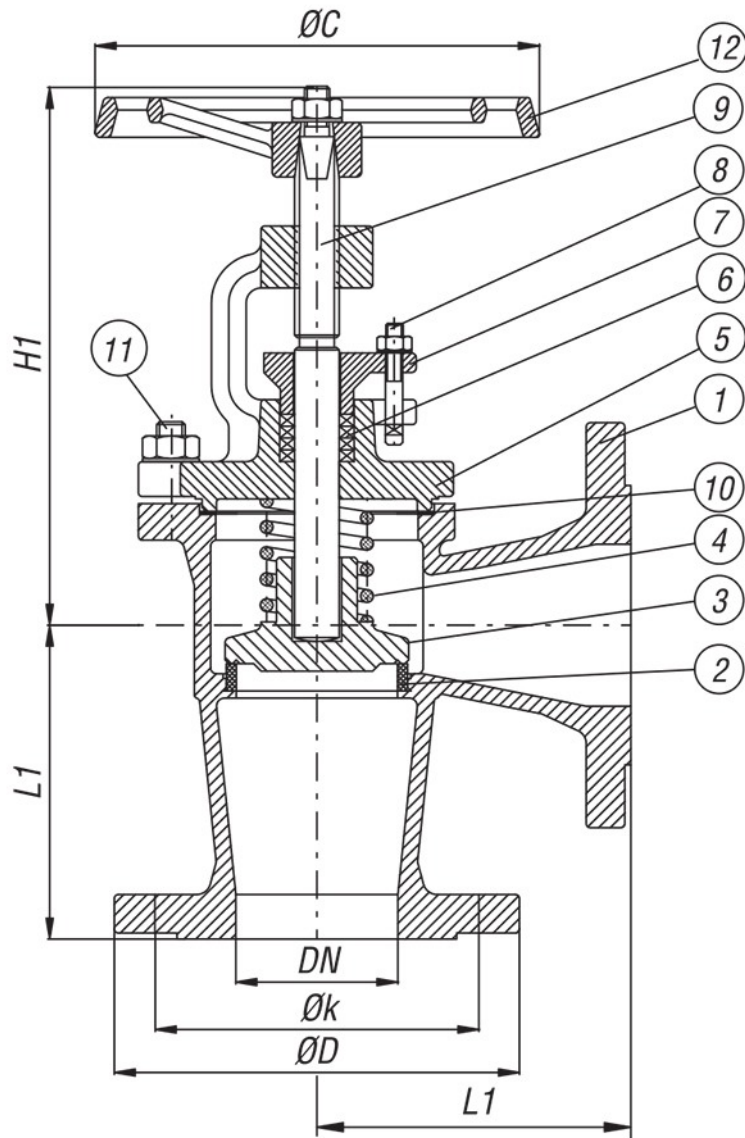
FEATURES

- Angle-type body configuration
- Spring-loaded disc providing non-return (SDNR) function
- Graphite packing
- Handwheel override control
- Available with fully stainless steel or bronze disc as option
- Production available up to DN600

GLOBE VALVE

Angle Type SDNR Globe Valve

SECTION Technical drawing REF EFC-64



GLOBE VALVE

Angle Type SDNR Globe Valve

SECTION Dimensions per size REF EFC-64

SIZE	L1	H1	STROK	OC	OD_PN16	OK_PN16	OD_PN40	OK_PN40	WEIGHT
DN15	90	155	7	120	95	65	95	65	0 4 kg / 1 4 kg
DN20	95	155	7	120	105	75	105	75	0 4 kg / 1 5 kg
DN25	100	170	9	140	115	85	115	85	0 5 kg / 1 6 kg
DN32	105	175	11	140	140	100	140	100	0 7 kg / 1 8 kg
DN40	115	195	15	160	150	110	150	110	0 11 kg / 1 13 kg
DN50	125	205	18	160	165	125	165	125	0 13 kg / 1 15 kg
DN65	145	225	23	180	185	145	185	145	0 19 kg / 1 23 kg
DN80	155	250	28	200	200	160	200	160	0 24 kg / 1 27 kg
DN100	175	305	35	225	220	180	235	190	0 33 kg / 1 39 kg
DN125	200	315	43	250	250	210	270	220	0 48 kg / 1 58 kg
DN150	225	380	50	300	285	240	300	250	0 62 kg / 1 75 kg
DN200	275	425	68	400	340	295	375	320	0 128 kg / 1 155 kg
DN250	325	470	80	520	405	355	450	385	0 135 kg / 1 162 kg
DN300	375	675	100	520	460	410	515	450	0 270 kg / 1 320 kg

All dimensions in millimetres unless stated otherwise. Values are nominal; tolerances confirmed at quote.