

GATE VALVE

Resilient Seat Gate Valve

MODEL VESV-10-16-25 REF EFC-58 ISSUED 05 Jun 2026

SPECIFICATIONS

Size	DN40–DN300
Pressure	PN10–PN25
End connection	flanged (DIN EN 1092-2/B)
Face-to-face	EN 558 Serie 15, DIN 3202 F5
Temperature	-20°C to 120°C

STANDARDS

Design	EN 1171, DIN 3352
Test	EN 12266



MATERIALS

body	ductile iron	wedge	ductile iron with EPDM coating, ductile iron with NBR coating
gasket	elastomer	bonnet	ductile iron
stem	stainless steel	o ring	elastomer
handwheel	grey cast iron		

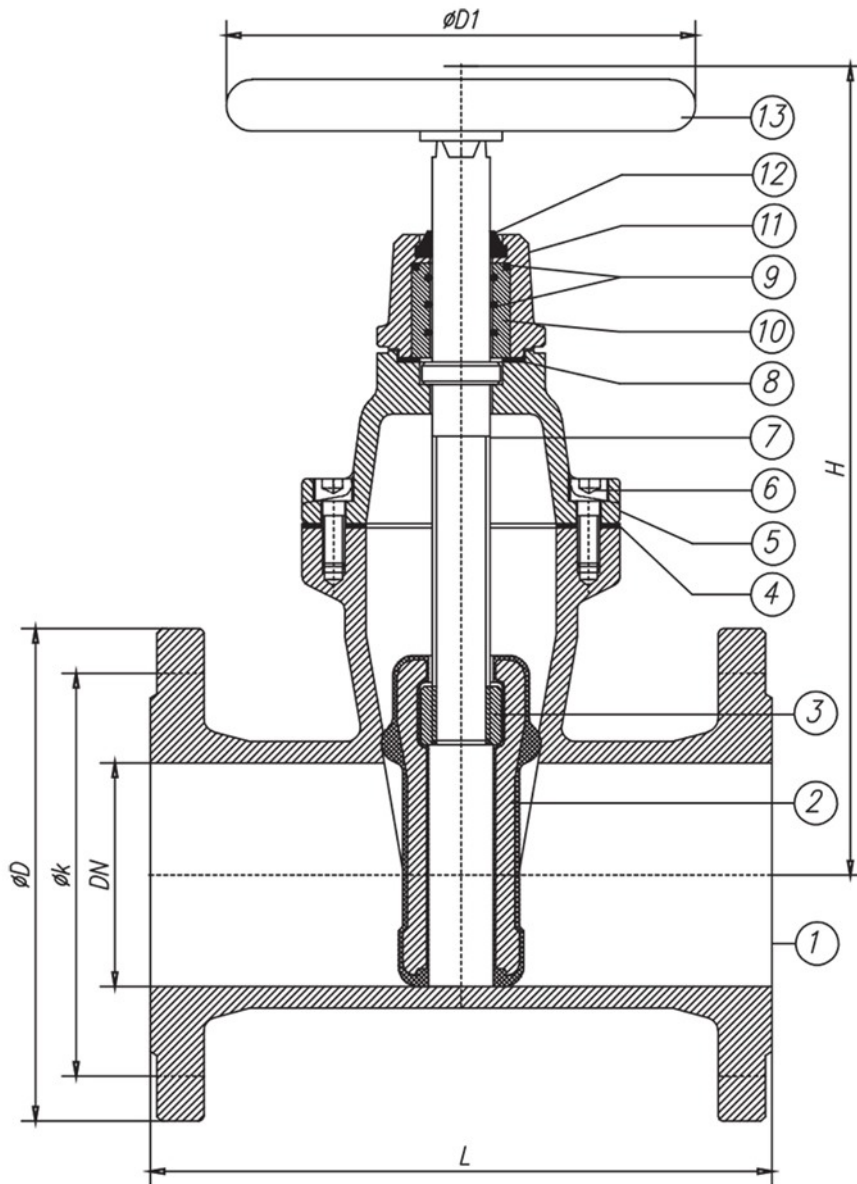
FEATURES

- Elastomer-encapsulated wedge in EPDM or NBR
- Non-rising stem design with AISI 420 stainless steel stem
- PTFE stem nut for reduced operating torque
- Ductile iron body and bonnet (GGG-40)
- Available in PN10, PN16, and PN25 pressure ratings
- Flanged ends to DIN EN 1092-2/B

GATE VALVE

Resilient Seat Gate Valve

SECTION Technical drawing REF EFC-58



GATE VALVE

Resilient Seat Gate Valve

SECTION Dimensions per size REF EFC-58

SIZE	L	H	D1	WEIGHT
DN40	240	230	200	9.3 kg
DN50	250	240	200	11.5 kg
DN65	270	285	200	16 kg
DN80	280	310	250	19.5 kg
DN100	300	345	250	27 kg
DN125	325	385	315	29 kg
DN150	350	460	315	46 kg
DN200	400	535	400	63 kg
DN250	450	635	500	94 kg
DN300	500	710	500	130 kg

All dimensions in millimetres unless stated otherwise. Values are nominal; tolerances confirmed at quote.