

GATE VALVE

Resilient Seat Gate Valve (O-Ring System)

MODEL VESV-10-16 REF EFC-57 ISSUED 05 Jun 2026

SPECIFICATIONS

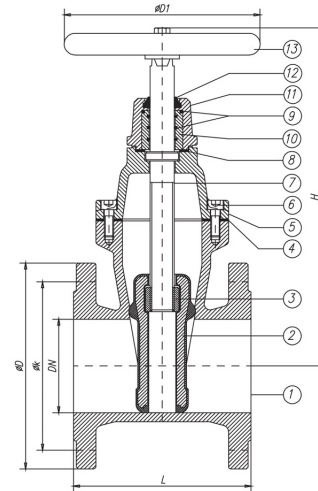
Size	DN40–DN600
Pressure	PN10–PN16
End connection	flanged (DIN EN 1092-2)
Face-to-face	EN 558 Serie 14, DIN 3202 F4
Media	water

ACTUATION

- manual handwheel — GG 20 handwheel

STANDARDS

Design	EN 1171
Test	EN 12266



MATERIALS

body	ductile iron	wedge	ductile iron with elastomer coating
gasket	elastomer	bonnet	ductile iron
o ring	elastomer	bushing	PTFE
stem	stainless steel	handwheel	grey cast iron

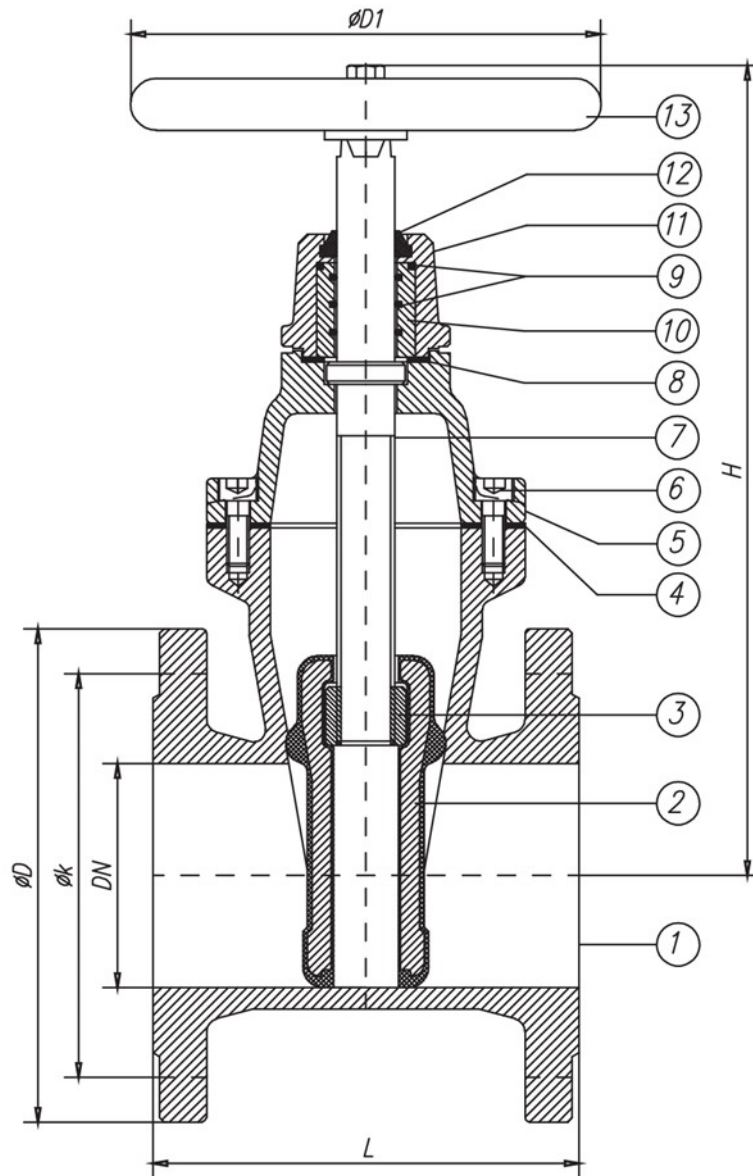
FEATURES

- O-ring stem sealing system
- Elastomer-encapsulated ductile iron wedge provides bi-directional shut-off
- Non-rising stem with PTFE stem bushing
- Flanged body ends to DIN EN 1092-2 Type B
- Available with EPDM or NBR elastomer components
- Stainless steel stem options: AISI 420, 304, or 316

GATE VALVE

Resilient Seat Gate Valve (O-Ring System)

SECTION Technical drawing REF EFC-57



GATE VALVE

Resilient Seat Gate Valve (O-Ring System)

SECTION Dimensions per size REF EFC-57

SIZE	L	H	D1	WEIGHT
DN40	140	230	160	9.3 kg
DN50	150	240	160	11.5 kg
DN65	170	285	160	16 kg
DN80	180	310	200	19.5 kg
DN100	190	345	200	27 kg
DN125	200	385	200	29 kg
DN150	210	460	250	46 kg
DN200	230	535	250	63 kg
DN250	250	635	315	90 kg
DN300	270	710	315	125 kg
DN350	290	840	400	210 kg
DN400	310	920	400	270 kg
DN500	350	990	500	435 kg
DN600	390	1125	500	655 kg

All dimensions in millimetres unless stated otherwise. Values are nominal; tolerances confirmed at quote.