

GATE VALVE

# Rising Stem Gate Valve

MODEL **VYM-10** REF **EFC-55** ISSUED **05 Jun 2026**

## SPECIFICATIONS

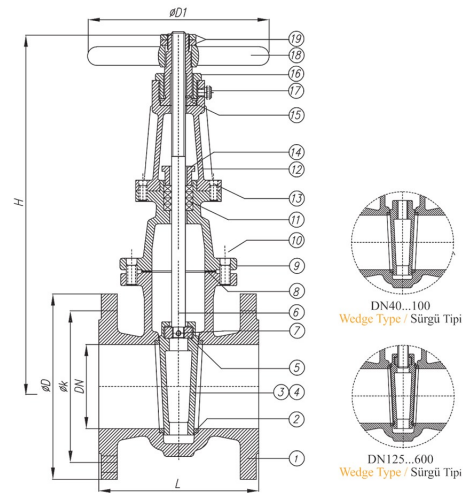
Size	<b>DN40–DN600</b>
Pressure	<b>PN10</b>
End connection	<b>flanged (DIN EN 1092-2)</b>
Face-to-face	<b>EN 558 Serie 14, DIN3202 F4</b>
Temperature	<b>-10°C to 400°C</b>

## ACTUATION

- manual handwheel — GG 20 handwheel

## STANDARDS

Design	<b>EN 1171, DIN 3352</b>
Test	<b>EN 12266</b>



**MATERIALS**

body	<b>grey cast iron, ductile iron, cast steel, bronze, red brass, stainless steel</b>	seat	<b>brass, bronze, stainless steel</b>
wedge	<b>cast iron / ductile iron / cast steel, bronze, red brass, stainless steel</b>	stem	<b>stainless steel, brass, copper alloy, bronze</b>
gasket	<b>compressed fibre, elastomer, graphite</b>	bonnet	<b>cast iron / ductile iron / cast steel, bronze, red brass, stainless steel</b>
packing	<b>graphite, PTFE</b>	handwheel	<b>grey cast iron</b>

**FEATURES**

- Rising stem design with outside screw
- Wedge type gate for DN40–DN100
- Split wedge type gate for DN125–DN600
- Stem nut located outside bonnet (sizes DN125–DN600)
- Graphite or PTFE packing options
- Klingerite, EPDM, or graphite gasket options
- Multiple body material options: cast iron, ductile iron, cast steel, bronze, stainless steel

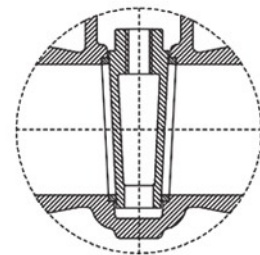
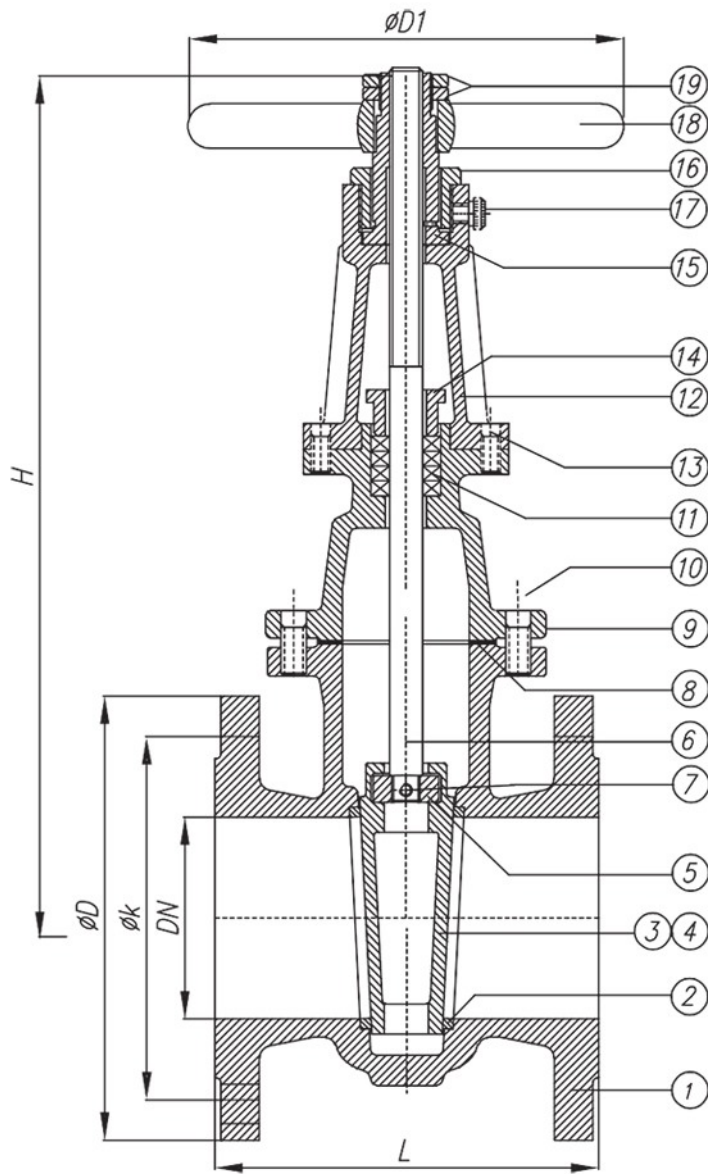
**PRESSURE-TEMPERATURE RATING**

CLASS	TEMPERATURE	MAX PRESSURE
DN40-DN200, Cast Iron GG25	°C	10 bar
DN250-DN300, Cast Iron GG25	°C	6 bar
DN350-DN500, Cast Iron GG25	°C	4 bar
DN600-DN700, Cast Iron GG25	°C	2.5 bar
DN800, Cast Iron GG25	°C	1.6 bar
DN900-DN1000, Cast Iron GG25	°C	1 bar
DN40-DN300, Ductile Iron GGG40	°C	10 bar
DN350-DN500, Ductile Iron GGG40	°C	6 bar
DN600-DN700, Ductile Iron GGG40	°C	4 bar
DN800, Ductile Iron GGG40	°C	2.5 bar
DN900-DN1000, Ductile Iron GGG40	°C	1.6 bar
DN350-DN500, Cast Steel GSC25	°C	16 bar

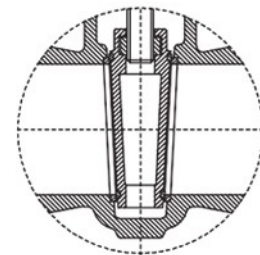
GATE VALVE

# Rising Stem Gate Valve

SECTION Technical drawing REF EFC-55



DN40...100  
Wedge Type / Sürgü Tipi



DN125...600  
Wedge Type / Sürgü Tipi

GATE VALVE

# Rising Stem Gate Valve

SECTION Dimensions per size REF EFC-55

SIZE	L	H_MIN	H_MAX	D	K	D1	WEIGHT
DN40	140	350	410	150	110	—	11 kg
DN50	150	360	470	165	125	—	15 kg
DN65	170	470	560	185	145	—	19.5 kg
DN80	180	470	560	200	160	200	24 kg
DN100	190	580	690	220	180	200	30 kg
DN125	200	650	790	250	210	—	44 kg
DN150	210	725	895	285	240	250	59 kg
DN200	230	815	1030	340	295	250	106 kg
DN250	250	950	1220	395	350	315	158 kg
DN300	270	1080	1405	445	400	315	232 kg
DN350	290	1225	1595	505	460	400	200 kg
DN400	310	1390	1810	565	515	400	310 kg
DN500	350	1670	2195	670	620	500	450 kg
DN600	390	1920	2550	780	720	500	600 kg

All dimensions in millimetres unless stated otherwise. Values are nominal; tolerances confirmed at quote.