

GATE VALVE

Gate Valve With Indicator

MODEL **VSG-10** REF **EFC-53** ISSUED **05 Jun 2026**

SPECIFICATIONS

Size	DN40–DN1000
Pressure	PN16
End connection	flanged (DIN EN 1092-2/B) / flanged (DIN EN 1092-2/B)
Face-to-face	EN 558 Serie 14, DIN3202 F4
Temperature	-10°C to 120°C

ACTUATION

- manual handwheel — GG 20 handwheel

STANDARDS

Design	EN 1171, DIN 3352
Test	EN 12266

MATERIALS

body	grey iron, ductile iron, carbon steel, bronze, stainless steel	seat	bronze, stainless steel
wedge	grey iron, ductile iron, carbon steel, bronze, stainless steel	stem	brass/bronze, bronze, stainless steel
gasket	elastomer, fibre/composite, graphite	bonnet	grey iron, ductile iron, carbon steel, bronze, stainless steel
o ring	elastomer	handwheel	grey iron

FEATURES

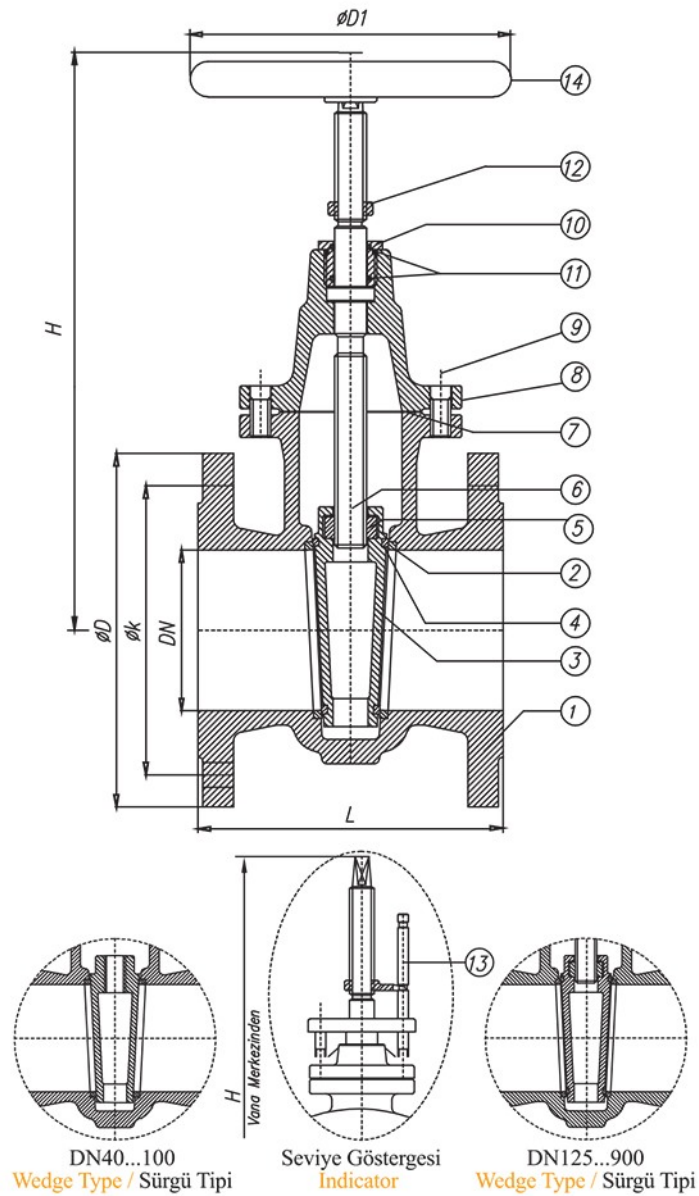
- Integrated position indicator showing open/closed valve status
- Wedge-type disc design for DN40–DN100 and DN125–DN900
- Rising stem configuration
- Flanged ends to DIN EN 1092-2/B
- Multiple material options for body, wedge, stem and sealing components



GATE VALVE

Gate Valve With Indicator

SECTION Technical drawing REF EFC-53



GATE VALVE

Gate Valve With Indicator

SECTION Dimensions per size REF EFC-53

SIZE	L	H	WEIGHT
DN40	140	190	8.5 kg
DN50	150	235	10 kg
DN65	170	260	11 kg
DN80	180	290	18 kg
DN100	190	310	22.5 kg
DN125	200	435	37.5 kg
DN150	210	455	45 kg
DN200	230	580	82 kg
DN250	250	720	125 kg
DN300	270	815	178 kg
DN350	290	925	228 kg
DN400	310	1030	293 kg
DN500	350	1265	465 kg
DN600	390	1450	685 kg

Gate Valve With Indicator

Dimensions per size (continued) · EFC-53

SIZE	L	H	WEIGHT
DN700	430	1650	875 kg
DN800	470	1860	1205 kg
DN900	510	1990	1405 kg
DN1000	550	2030	1540 kg

All dimensions in millimetres unless stated otherwise. Values are nominal; tolerances confirmed at quote.