

GATE VALVE

# Gate Valve

MODEL **VSV-10** REF **EFC-51** ISSUED **05 Jun 2026**

## SPECIFICATIONS

|                |                                    |
|----------------|------------------------------------|
| Size           | <b>DN40–DN1000</b>                 |
| Pressure       | <b>PN16</b>                        |
| End connection | <b>flanged (DIN EN 1092-2/B)</b>   |
| Face-to-face   | <b>EN 558 Serie 14, DIN3202 F4</b> |
| Temperature    | <b>-10°C to 120°C</b>              |

## ACTUATION

- manual handwheel — GG 20 cast iron handwheel

## STANDARDS

|        |                          |
|--------|--------------------------|
| Design | <b>EN 1171, DIN 3352</b> |
| Test   | <b>EN 12266</b>          |

## MATERIALS

|        |  |           |  |
|--------|--|-----------|--|
| body   | <b>grey cast iron, ductile iron, cast steel, bronze, stainless steel</b> | seat      | <b>brass, bronze, stainless steel</b>                                    |
| wedge  | <b>grey cast iron, ductile iron, cast steel, bronze, stainless steel</b> | stem      | <b>stainless steel, brass, copper alloy, bronze</b>                      |
| gasket | <b>elastomer, compressed fibre, graphite</b>                             | bonnet    | <b>grey cast iron, ductile iron, cast steel, bronze, stainless steel</b> |
| o ring | <b>elastomer</b>   | handwheel | <b>grey cast iron</b>  |

## FEATURES

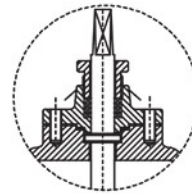
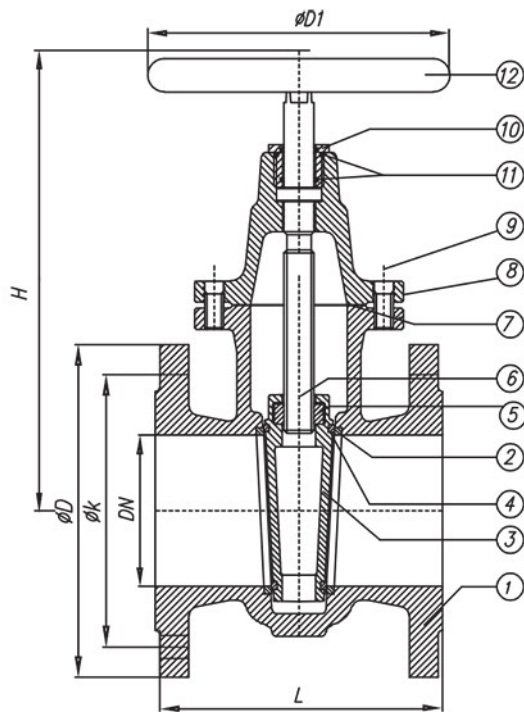
- Wedge-type gate with two distinct wedge designs: DN40–100 type and DN125–900 type
- Separate packing details for DN250/DN300 and DN350/DN1000
- Rising stem design with external stem nut (DN125–900)
- Non-rising stem option available
- Multiple body material options including grey cast iron, ductile iron, cast steel, bronze, and stainless steel
- Multiple seat and wedge material options
- Flange drilling available for both PN10 and PN16 pressure classes per EN 1092-2



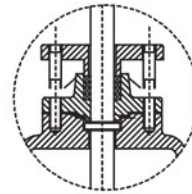
GATE VALVE

# Gate Valve

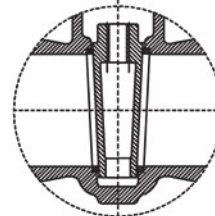
SECTION Technical drawing REF EFC-51



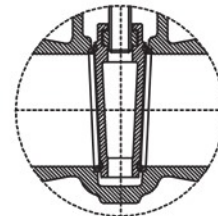
DN250 / DN300  
Packing Detail  
Salmastra Detayı



DN350 / DN1000  
Packing Detail  
Salmastra Detayı



DN40...100  
Wedge Type /



DN125...900  
Wedge Type /

GATE VALVE

# Gate Valve

SECTION Dimensions per size REF EFC-51

| SIZE  | L   | H    | D1   | D_PN10 | K_PN10 | D_PN16 | K_PN16 | WEIGHT  |
|-------|-----|------|------|--------|--------|--------|--------|---------|
| DN40  | 140 | 157  | null | —      | —      | —      | —      | 8 kg    |
| DN50  | 150 | 190  | —    | 165    | 125    | 165    | 125    | 10 kg   |
| DN65  | 170 | 210  | —    | 185    | 145    | 185    | 145    | 14 kg   |
| DN80  | 180 | 230  | —    | 200    | 160    | 200    | 160    | 15.5 kg |
| DN100 | 190 | 260  | 160  | 220    | 180    | 220    | 180    | 22 kg   |
| DN125 | 200 | 365  | —    | 250    | 210    | 250    | 210    | 37 kg   |
| DN150 | 210 | 375  | 200  | 285    | 240    | 285    | 240    | 44 kg   |
| DN200 | 230 | 500  | —    | 340    | 295    | 340    | 295    | 81 kg   |
| DN250 | 250 | 630  | 250  | 395    | 350    | 405    | 355    | 123 kg  |
| DN300 | 270 | 715  | —    | 445    | 400    | 460    | 410    | 176 kg  |
| DN350 | 290 | 820  | 315  | 505    | 460    | 520    | 470    | 225 kg  |
| DN400 | 310 | 910  | —    | 565    | 515    | 580    | 525    | 290 kg  |
| DN500 | 350 | 1135 | 400  | 670    | 620    | 715    | 650    | 460 kg  |
| DN600 | 390 | 1300 | 500  | 780    | 725    | 840    | 770    | 680 kg  |

## Gate Valve

Dimensions per size (continued) · EFC-51

| SIZE          | L   | H    | D1  | D_PN10 | K_PN10 | D_PN16 | K_PN16 | WEIGHT  |
|---------------|-----|------|-----|--------|--------|--------|--------|---------|
| <b>DN700</b>  | 430 | 1480 | —   | 895    | 840    | 910    | 840    | 870 kg  |
| <b>DN800</b>  | 470 | 1690 | 630 | 1015   | 950    | 1025   | 950    | 1200 kg |
| <b>DN900</b>  | 510 | 1820 | —   | 1115   | 1050   | 1125   | 1050   | 1400 kg |
| <b>DN1000</b> | 550 | 2030 | 800 | 1230   | 1160   | 1255   | 1170   | 1540 kg |

*All dimensions in millimetres unless stated otherwise. Values are nominal; tolerances confirmed at quote.*