

GATE VALVE

Gate Valve

MODEL **VSV-06** REF **EFC-50** ISSUED **05 Jun 2026**

SPECIFICATIONS

Size	DN40–DN150
Pressure	PN6
End connection	flanged (DIN EN 1092-2/B)
Face-to-face	EN 558 Serie 14, DIN 3202 F4
Temperature	-10°C to 120°C

ACTUATION

- manual handwheel — GG 20 cast iron handwheel

STANDARDS

Design	EN 1171, DIN 3352
Test	EN 12266

MATERIALS

body	grey cast iron, ductile cast iron, cast steel, bronze, stainless steel	seat	brass, bronze, stainless steel
wedge	grey cast iron, ductile cast iron, cast steel, bronze, stainless steel	stem	stainless steel, brass, bronze
gasket	elastomer, compressed fibre, polymer	bonnet	grey cast iron, ductile cast iron
o ring	elastomer	handwheel	grey cast iron

FEATURES

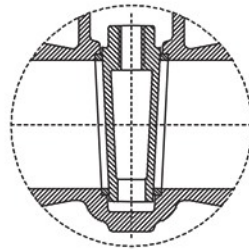
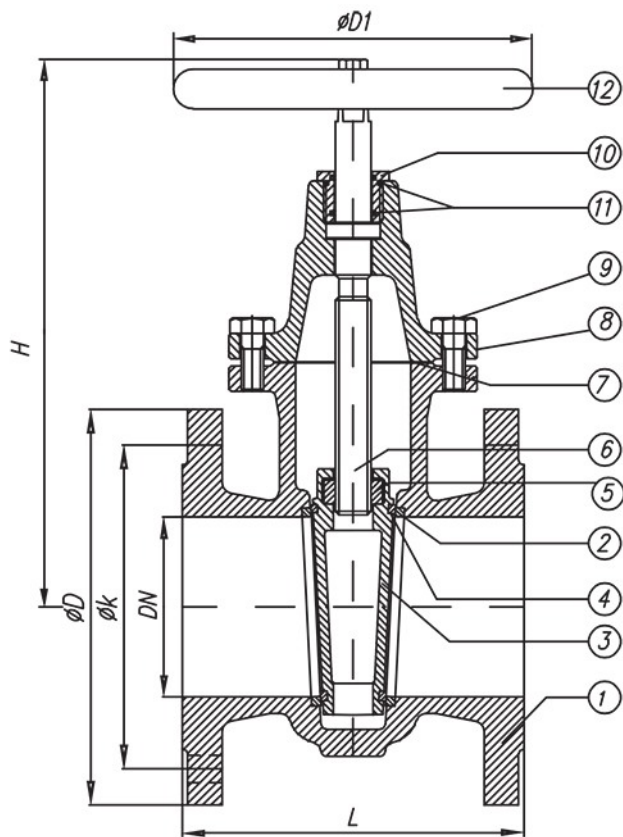
- Rising stem design with handwheel actuation
- Wedge-type gate with different wedge geometry for DN40–100 and DN125–150
- Flanged end connections per DIN EN 1092-2/B
- Multiple body and trim material options including cast iron, bronze, and stainless steel
- O-ring stem seal in EPDM



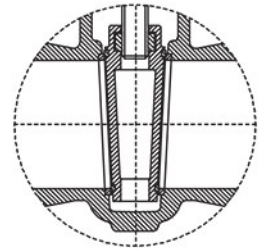
GATE VALVE

Gate Valve

SECTION Technical drawing REF EFC-50



DN40...100
Wedge Type / Sürgü Tipi



DN125...900
Wedge Type / Sürgü Tipi

GATE VALVE

Gate Valve

SECTION Dimensions per size REF EFC-50

SIZE	L	H	D	K	D1	WEIGHT
DN40	140	157	130	100	—	7 kg
DN50	150	190	140	110	—	8 kg
DN65	170	210	160	130	160	11.5 kg
DN80	180	230	190	150	—	15 kg
DN100	190	260	210	170	200	20 kg
DN125	200	365	240	200	250	33 kg
DN150	210	375	265	225	250	39 kg

All dimensions in millimetres unless stated otherwise. Values are nominal; tolerances confirmed at quote.