

GATE VALVE

Gate Valve for Dock

REF **EFC-49** ISSUED **05 Jun 2026**

SPECIFICATIONS

Size	DN100–DN800
Pressure	PN10
End connection	flanged (EN 1092)
Face-to-face	DIN 3202-F5, EN 558-S15

STANDARDS

Design	DIN 1171, DIN 3352
Test	EN 12266

APPLICATIONS

- dock
- marine

MATERIALS

body	ductile iron	seat	bronze
wedge	ductile iron	gasket	compressed fibre
bonnet	ductile iron	packing	graphite
stem	stainless steel		

FEATURES

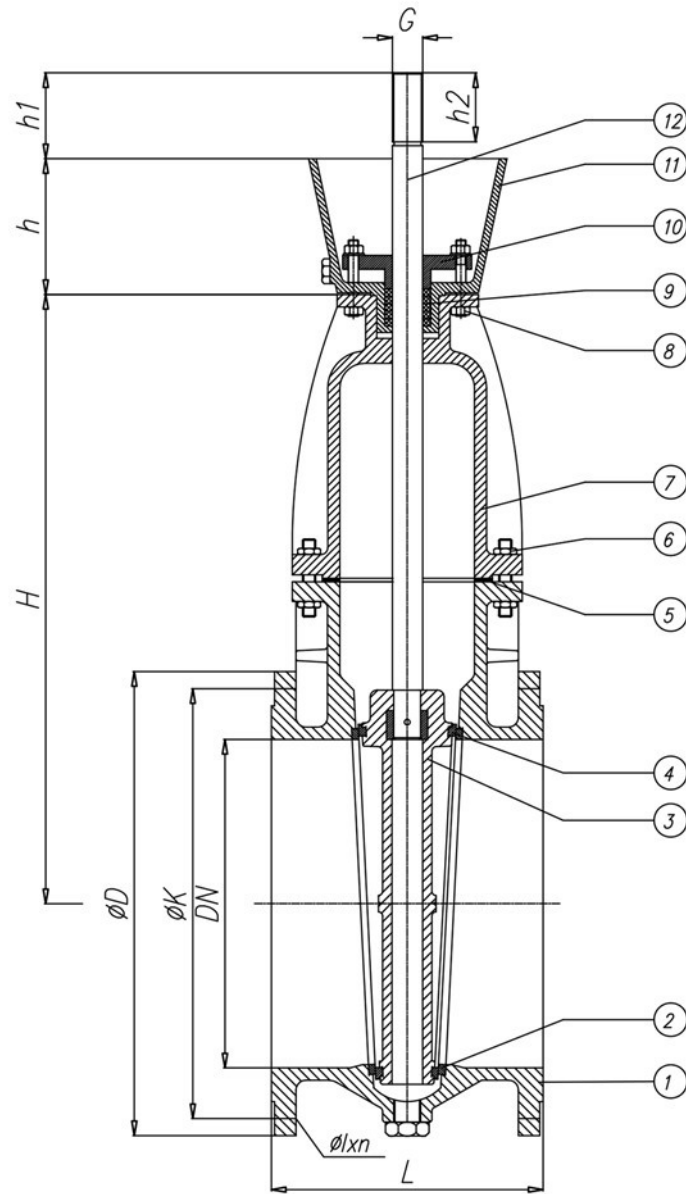
- GGG 40 ductile iron body and bonnet construction
- Bronze Rg5 body seat and wedge seat rings
- Graphite packing for stem sealing
- Stainless steel SS 304 stem
- Klingerite bonnet gasket
- Galvanised steel bonnet and gland bolting
- Cup (dock) feature integrated into valve design



GATE VALVE

Gate Valve for Dock

SECTION Technical drawing REF EFC-49



GATE VALVE

Gate Valve for Dock

SECTION Dimensions per size REF EFC-49

SIZE	L	H	H	H1	H2	G	OD	OK	OLXN
DN100	190	230	100	100	50	1/2" inch	220	180	19x8
DN125	200	262	100	100	50	1/2" inch	250	210	19x8
DN150	210	310	100	100	50	1/2" inch	285	240	23x8
DN200	230	435	160	110	60	5/8" inch	340	295	23x8
DN250	250	505	160	110	60	5/8" inch	395	350	23x12
DN300	270	615	160	110	60	3/4" inch	445	400	23x12
DN350	290	675	200	110	60	7/8" inch	505	460	23x16
DN400	310	755	200	110	60	7/8" inch	565	515	28x16
DN500	350	950	280	140	75	1 1/8" inch	670	620	28x20
DN600	390	1110	280	140	75	1 1/8" inch	780	725	31x20
DN700	430	1370	280	150	80	1 1/4" inch	895	840	31x24
DN800	470	1445	280	150	80	1 1/2" inch	1015	950	34x24

All dimensions in millimetres unless stated otherwise. Values are nominal; tolerances confirmed at quote.