

GATE VALVE

Gate Valve With Stuffing Box & Indicator

MODEL **VSG-C150** REF **EFC-48** ISSUED **05 Jun 2026**

SPECIFICATIONS

Size	DN40–DN600
Pressure	Class 150
End connection	flanged (ASME B16.5 RF)
Face-to-face	ASME B16.10

ACTUATION

- manual handwheel — Galvanized steel handwheel

STANDARDS

Design	ASME B16.10
Test	API 598

MATERIALS

body	carbon steel, ductile iron, bronze, tin bronze, stainless steel	wedge	carbon steel, ductile iron, bronze, tin bronze, stainless steel
stem	nickel brass, stainless steel	gasket	compressed fibre, graphite
bonnet	carbon steel, ductile iron, bronze, tin bronze, stainless steel	packing	graphite
handwheel	carbon steel		

FEATURES

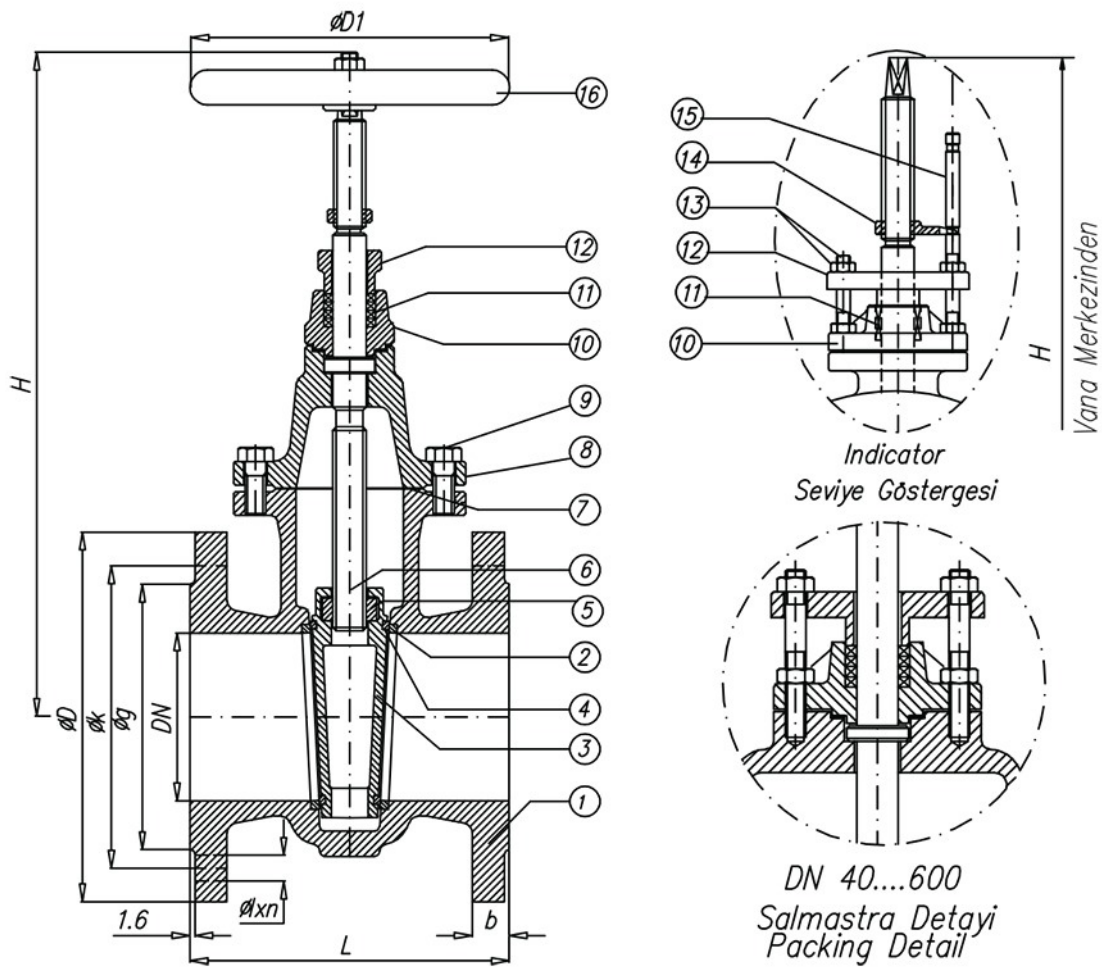
- Stuffing box packing arrangement for stem sealing
- Position indicator fitted as standard
- Rising stem design
- 100% graphite packing
- Multiple body and trim material combinations available



GATE VALVE

Gate Valve With Stuffing Box & Indicator

SECTION Technical drawing REF EFC-48



GATE VALVE

Gate Valve With Stuffing Box & Indicator

SECTION Dimensions per size REF EFC-48

SIZE	L	H	D1	D	K	G	ØXN	WEIGHT
DN40	165	195	160	127	98.5	73	16x4	13 kg
DN50	178	235	160	152	121	92	16x4	15 kg
DN65	191	260	160	178	140	105	19x4	19 kg
DN80	203	280	160	191	152	127	19x4	22 kg
DN100	229	310	200	229	191	157	19x8	30 kg
DN125	254	400	200	254	216	186	19x8	45 kg
DN150	267	435	250	279	241	216	22x8	55 kg
DN200	292	560	250	343	298	270	22x8	95 kg
DN250	330	650	315	406	362	324	25x12	140 kg
DN300	356	780	315	483	432	381	25x12	200 kg
DN350	381	860	400	533	476	413	29x12	250 kg
DN400	406	930	400	597	540	470	29x16	250 kg
DN500	457	1120	500	699	635	584	32x20	560 kg
DN600	508	1320	500	813	749	692	35x20	700 kg

All dimensions in millimetres unless stated otherwise. Values are nominal; tolerances confirmed at quote.