

BUTTERFLY VALVE

# Wafer Butterfly Valve

REF **EFC-459** ISSUED 06 Jul 2026

## SPECIFICATIONS

Size	<b>NPS 3" to NPS 12"</b>
Pressure	<b>200 PSI</b>
End connection	<b>wafer</b>

## ACTUATION

- Manual lever — ten-position throttling
- Pneumatic actuator — ISO 5211
- Electric actuator — ISO 5211



Install, operate and maintain in accordance with the manufacturer's manual supplied with the product.

**EFC-459** · Specifications confirmed at quote

sales@euroflowcontrol.com · euroflowcontrol.com

**MATERIALS**

Body	<b>Ductile Iron</b>	Disc	<b>Ductile Iron (Nickel Plated), Ductile Iron (Nylon Coated), Aluminium Bronze, SS316, Hastelloy C</b>
Seat	<b>EPDM, NBR, CSM, PTFE, FKM</b>	Stem	<b>410 SS</b>
O ring	<b>NBR, FKM</b>	Retainer ring	<b>Steel</b>

**PARTS LIST**

Ref	Component	Material	Qty
1	Body	Ductile Iron	1
2	Disc	Ductile Iron (Nickel Plated), Ductile Iron (Nylon Coated), Aluminium Bronze, SS316, Hastelloy C	1
3	Seat	NBR, EPDM, CSM, PTFE, FKM	1
4	Upper Stem	410 Stainless Steel	1
5	Lower Stem	410 Stainless Steel	1
6	O-Ring	NBR, FKM	2
7	Retainer Ring	Steel	2

**FEATURES**

- Ten-position lever handle for precise throttling
- One-piece phenolic-backed controlled-torque elastomer seat for tight shut-off
- Split-stem design self-centres the disc around the seat
- External grease fitting for long-term effortless operation
- Gear, pneumatic or electric actuation available
- ATEX (Ex) version available; certification to be confirmed for this build

**ACTUATION TORQUE**

Size	200 PSI (13.8 bar)		50 PSI (3.4 bar)	
	N-m	in-lb	N-m	in-lb
NPS 3" / DN80	34	300	22	195
NPS 4" / DN100	51	450	31	270
NPS 6" / DN150	102	900	62	550
NPS 8" / DN200	169	1500	113	1000
NPS 10" / DN250	301	2660	203	1800
NPS 12" / DN300	508	4500	395	3500

*Wet opening torque, indicative. Size the actuator with margin and confirm at quotation. Source values in in-lb shown for reference.*

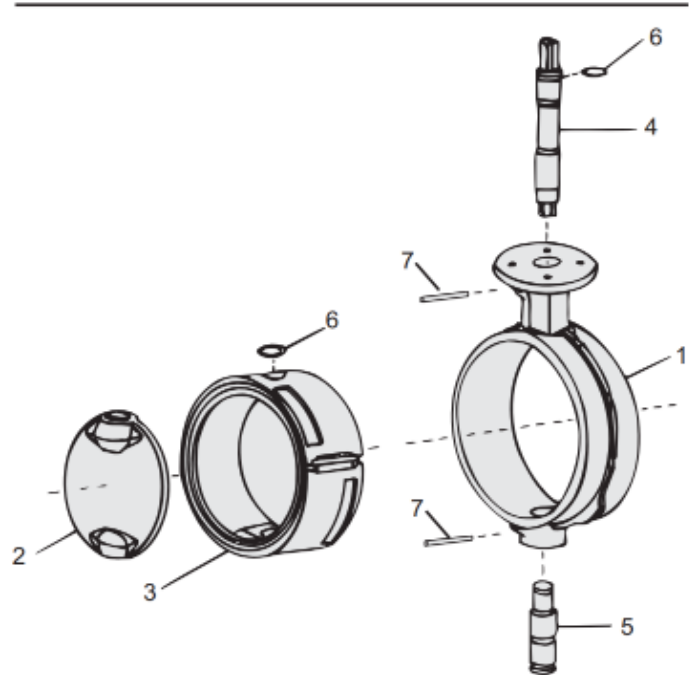
Install, operate and maintain in accordance with the manufacturer's manual supplied with the product.

BUTTERFLY VALVE

# Wafer Butterfly Valve

SECTION Technical drawing 1 of 2 REF EFC-459

REF. NO.	COMPONENT DESCRIPTION	MATERIALS AVAILABLE	NO. REQ.
1	Body	Ductile Iron	1
2	Disc	Aluminum Bronze Ductile Iron, Nylon Coated, Stainless Steel, Hastalloy C	1
3	Seat	Buna N, EPDM, Hypalon, Teflon, Viton	1
4	Upper Stem	410 Stainless Steel	1
5	Lower Stem	410 Stainless Steel	1
6	O-Ring	Buna N, Viton	2
7	Retainer Ring	Steel	2

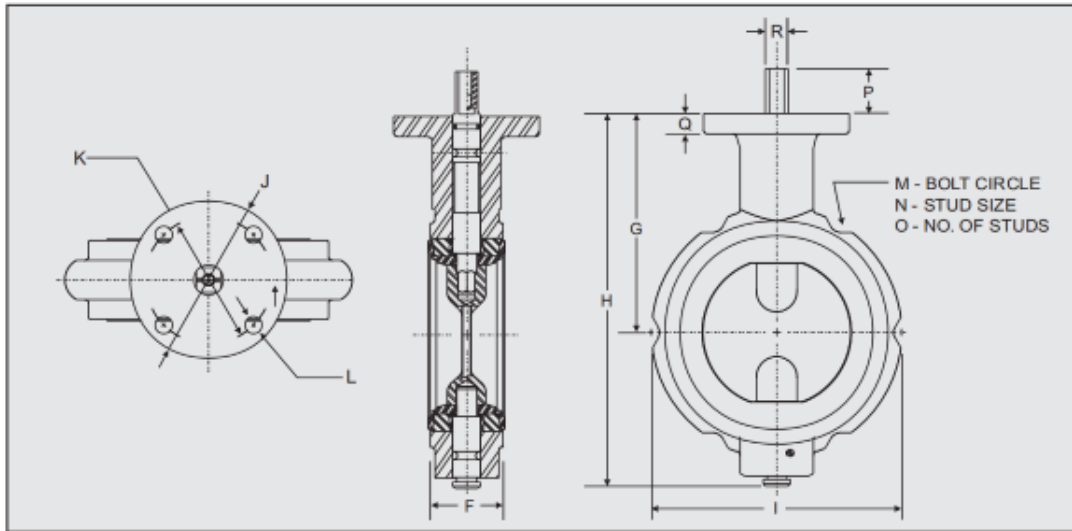


Install, operate and maintain in accordance with the manufacturer's manual supplied with the product.

BUTTERFLY VALVE

# Wafer Butterfly Valve

SECTION Technical drawing 2 of 2 REF EFC-459



**DIMENSIONS (Dimensions in Inches)**

VALVE SIZE	F	G	H	I	J	K	L	M	N	O	P	Q	R
3"	1.86	4.88	8.19	5.38	4.00	3.25	0.408	4.91	3/8	6.00	1.00	0.44	0.51
4"	2.11	6.00	9.88	6.88	4.00	3.25	0.408	7.03	1/2	6.00	1.00	0.44	0.63
5"	2.14	6.00	11.10	8.10	4.00	3.25	0.408	8.44	1/2	8.00	1.00	0.55	0.62
6"	2.20	6.50	11.75	8.75	4.00	3.25	0.408	9.16	1/2	8.00	1.25	0.44	0.75
8"	2.40	8.20	14.50	11.00	6.00	5.00	0.533	11.72	5/8	8.00	1.70	0.65	0.87
10"	2.65	9.97	18.00	13.38	6.00	5.00	0.533	13.72	5/8	8.00	1.80	0.56	1.14
12"	3.24	10.91	20.41	16.12	6.00	5.00	0.533	16.62	1/2	12.00	1.38	0.56	1.26

Install, operate and maintain in accordance with the manufacturer's manual supplied with the product.

## Wafer Butterfly Valve

Dimensions per size · EFC-459

Dimension	NPS 3" / DN80	NPS 4" / DN100	NPS 5" / DN125	NPS 6" / DN150	NPS 8" / DN200	NPS 10" / DN250	NPS 12" / DN300
Face-to-face (inch)	1.86	2.11	2.14	2.2	2.4	2.65	3.24
Centreline to mounting face (inch)	4.88	6	6	6.5	8.2	9.97	10.91
Overall height (inch)	8.19	9.88	11.1	11.75	14.5	18	20.41
Body diameter/width (inch)	5.38	6.88	8.1	8.75	11	13.38	16.12
Top mounting PCD (inch)	4	4	4	4	6	6	6
Top mounting bolt centres (inch)	3.25	3.25	3.25	3.25	5	5	5
Mounting hole diameter (inch)	0.408	0.408	0.408	0.408	0.533	0.533	0.533
Flange bolt circle (inch)	4.91	7.03	8.44	9.16	11.72	13.72	16.62
Stud size (inch)	3/8	1/2	1/2	1/2	5/8	5/8	1/2
Number of studs	6	6	8	8	8	8	12
Mounting flange thickness (inch)	1	1	1	1.25	1.7	1.8	1.38
Stem projection (inch)	0.44	0.44	0.55	0.44	0.65	0.56	0.56
Stem diameter (inch)	0.51	0.63	0.62	0.75	0.87	1.14	1.26

*Values are nominal; tolerances confirmed at quote.*

Install, operate and maintain in accordance with the manufacturer's manual supplied with the product.

## Wafer Butterfly Valve

Material selection · EFC-459

### DISC MATERIAL SELECTION

Medium	Ductile Iron (Nickel Plated)	Ductile Iron (Nylon Coated)	Aluminium Bronze	SS316	Hastelloy C
Acetic Acid	N	G	N	E	E
Brine (Liquid)	N	E	G	E	N
Carbon Dioxide (Wet)	N	E	N	E	N
Diesel Fuel	E	E	E	E	E
Cement (Dry)	N	N	E	N	N
Cement (Slurry)	N	N	E	N	N
Drilling Mud	N	N	E	N	N
Gel Water	N	N	E	N	N
Hydrofluoric Acid	N	G	N	N	E
Hydrochloric Acid	N	G	N	N	E
Sea Mud	N	N	E	N	N
Xylene	G	E	E	E	E

E = Excellent · G = Good · N = Not recommended

**SEAT MATERIAL SELECTION**

Medium	EPDM	NBR	FKM	PTFE
Acetic Acid	N	N	N	E
Brine (Liquid)	E	E	E	E
Carbon Dioxide (Wet)	E	G	E	E
Diesel Fuel	N	E	E	E
Cement (Dry)	G	G	G	N
Cement (Slurry)	G	G	G	N
Drilling Mud	N	G	G	N
Gel Water	N	N	E	N
Hydrofluoric Acid	G	N	G	E
Hydrochloric Acid	E	N	G	E
Sea Mud	N	N	G	N
Xylene	E	E	E	E

E = Excellent · G = Good · N = Not recommended

*Indicative material suitability. Confirm final selection for the service medium at quotation.*