

STRAINER

WSTX Y-Strainer

REF **EFC-409** ISSUED 11 Jun 2026

SPECIFICATIONS

Size	DN15–DN600
Pressure	PN10–PN16
End connection	threaded (BSP)

STANDARDS

Design	EN 13160
--------	-----------------

APPROVALS & CERTIFICATIONS

- WRAS
- ISO 9001

APPLICATIONS

- Control valve protection
- Meter protection
- Pump suction protection
- Potable water
- Process water

FEATURES

- The WSTX Y-strainer protects downstream valves, meters and equipment from pipeline debris
- The Y-body configuration minimises headloss while directing flow through a stainless steel mesh screen
- The removable blowdown plug allows the screen to be cleaned under pressure without removing the strainer from the pipeline
- Available in cast iron and ductile iron body materials with a range of mesh sizes from 0.5mm to 3mm



PRESSURE-TEMPERATURE RATING

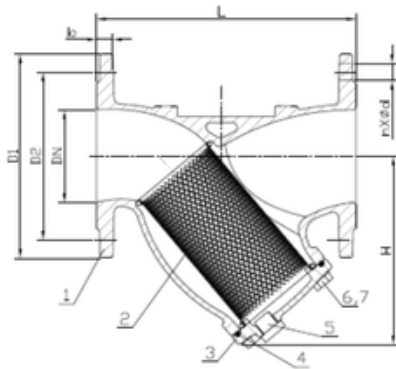
CLASS	TEMPERATURE	MAX PRESSURE
PN10	-10°C	10 bar
PN10	80°C	10 bar
PN16	-10°C	16 bar
PN16	80°C	16 bar

STRAINER

WSTX Y-Strainer

SECTION Technical drawing 1 REF EFC-409

Main Valve



Parts List & Material

No.	Name	Material	Standard
1	Body	Ductile Iron	EN GJS 500-7
2	Screen	Stainless Steel	AISI 304
3	Bonnet	Ductile Iron	EN GJS 500-7
4	O-Ring	Rubber	NBR/ EPDM
5	Plug	Stainless Steel	SS304
6	Bolt	Stainless Steel	SS304
7	Washer	Stainless Steel	SS304

Test:

Hydraulic test to BS/ISO/GB

Seat: 1.1 X PN

Body: 1.5 X PN

Dimension:

Unit: mm

DN	Model No	L	H	D1	D2		b	n- Ød	
					PN10	PN16		PN10	PN16
50	WSTX-0050	200	138	165	125		19	4-Ø19	
65	WSTX-0065	215	164	185	145		19	4-Ø19	
80	WSTX-0080	248	180	200	160		19	8-Ø19	
100	WSTX-0100	295	204	220	180		19	8-Ø19	
125	WSTX-0125	315	268	250	210		19	8-Ø23	
150	WSTX-0150	345	332	285	240		19	8-Ø23	
200	WSTX-0200	420	396	340	295		20	8-Ø23	12-Ø23
250	WSTX-0250	525	450	405	350	355	22	12-Ø23	12-Ø28
300	WSTX-0300	605	525	460	400	410	24.5	12-Ø23	12-Ø28
350	WSTX-0350	627	598	520	460	470	26.5	16-Ø23	16-Ø28
400	WSTX-0400	630	605	580	515	525	28	16-Ø28	16-Ø31
450	WSTX-0450	735	693	640	565	585	30	20-Ø26	20-Ø31
500	WSTX-0500	865	765	715	620	650	31.5	20-Ø26	16-Ø34
600	WSTX-0600	975	935	840	725	770	36	20-Ø23	20-Ø37

STRAINER

WSTX Y-Strainer

SECTION Dimensions per size REF EFC-409

SIZE	L	H	D1	D2_PN10	B	D2_PN16
DN50	200	138	165	125	19	—
DN65	215	164	185	145	19	—
DN80	248	180	200	160	19	—
DN100	295	204	220	180	19	—
DN125	315	268	250	210	19	—
DN150	345	332	285	240	19	—
DN200	420	396	340	295	20	—
DN250	525	450	405	350	22	355
DN300	605	525	460	400	24.5	410
DN350	627	598	520	460	26.5	470
DN400	630	605	580	515	28	525
DN450	735	693	640	565	30	585
DN500	865	765	715	620	31.5	650
DN600	975	935	840	725	36	770

All dimensions in millimetres unless stated otherwise. Values are nominal; tolerances confirmed at quote.