

ACCESSORY

Float Valve Switch

REF **EFC-404** ISSUED 11 Jun 2026

SPECIFICATIONS

APPROVALS & CERTIFICATIONS

- IP65
- ISO 9001

APPLICATIONS

- High/low level alarm
- SCADA telemetry
- Reservoir monitoring
- Tank level control

FEATURES

- The float valve switch provides an electrical level signal from a reservoir or tank for high-level alarm, low-level alarm or SCADA telemetry
- A stainless steel float on a pivot arm actuates a micro-switch at the set water level
- The switch contact can drive a relay, alarm panel or telemetry input directly
- No electronic components in the wetted zone

PRESSURE-TEMPERATURE RATING

CLASS	TEMPERATURE	MAX PRESSURE
—	80°C	10 bar



ACCESSORY

Float Valve Switch

SECTION Technical drawing 1 REF EFC-404



Float Valve Switch



- All 304 stainless steel construction.
- Polished float ball.
- Pressure range up to 10 Bar. 20 Bar Upon Request
- Silicone/EPDM seat.
- Working temperature up to 80°C.
- Fullbore for high flow.
- Connections in Thread or Flanged.

- ▶ Size Range: DN15 (1/2") - DN80(3")
- ▶ Temperature Range: 0°C ~ 80°C
- ▶ Connections : DN10 - DN25 (Threaded)
DN40 - DN80 (Threaded)

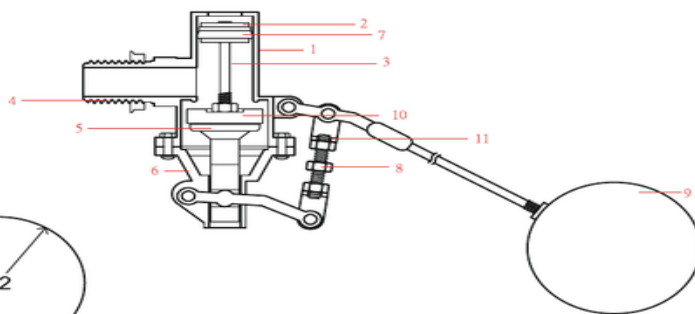
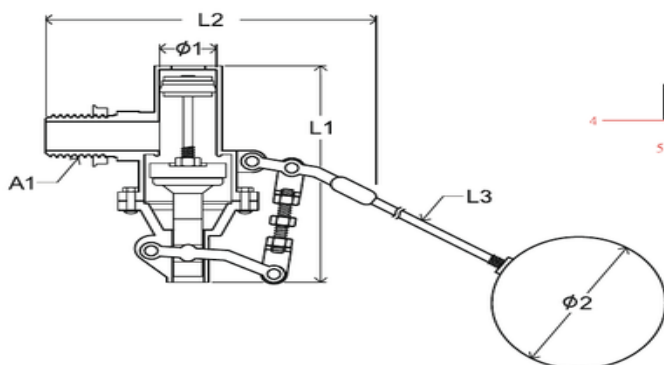


Table of Valve Size (mm)				SS304 Float Ball			Weight(kg)
A1 G Threaded	L1	L2	Ø1	L3	Ø2		
1/2"	110	133	20	160	100	0.67	
3/4"	110	145	20	160	100	0.72	
1"	110	145	20	160	100	0.76	
1 1/2"	170	120	30	350	150	1.75	
2"	210	130	40	400	150	2.42	
3"	240	160	60	420	200	5.67	

No	Part Name	Material
1	Main Body	Stainless Steel 304
2	Piston(Shaft)	Stainless Steel 304
3	Shaft	Stainless Steel 304
4	Orifice	Stainless Steel 304
5	Valve Gate	Stainless Steel 304
6	Lifting Gear	Stainless Steel 304
7	U-Ring	EPDM/Silicone
8	Adjusting Screw	Stainless Steel 304
9	Float Ball	Stainless Steel 304
10	U-Ring	EPDM/Silicone
11	Screw U-Ring	EPDM/Silicone

ACCESSORY

Float Valve Switch

SECTION Dimensions per size REF EFC-404

SIZE	L1	L2	Ø1	L3	Ø2	WEIGHT
1/2"	110	133	20	160	100	0.67 kg
3/4"	110	145	20	160	100	0.72 kg
1"	110	145	20	160	100	0.76 kg
1 1/2"	170	120	30	350	150	1.75 kg
2"	210	130	40	400	150	2.42 kg
3"	240	160	60	420	200	5.67 kg

All dimensions in millimetres unless stated otherwise. Values are nominal; tolerances confirmed at quote.