

GLOBE VALVE

# API Globe Valve

REF **EFC-4** ISSUED 05 Jun 2026

## SPECIFICATIONS

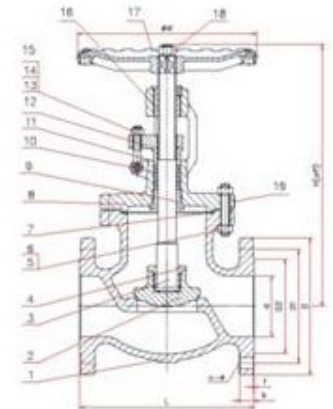
Size	<b>NPS 2"–NPS 24"</b>
Pressure	<b>CLASS 150LB–CLASS 900LB</b>
End connection	<b>flanged (ASME B16.5) / flanged (ASME B16.47) / butt-weld (B16.25) / socket-weld / threaded (B16.11)</b>
Face-to-face	<b>ASME B16.10</b>
Temperature	<b>-29°C to 425°C</b>
Media	<b>Water, Steam, Oil</b>

## ACTUATION

- handwheel — Standard for smaller sizes
- gear operator — CLASS 150LB: required from 14" and above; CLASS 300LB: required from 14" and above; CLASS 600LB: required from 10" and above; CLASS 900LB: required from 10" and above

## STANDARDS

Design	<b>BS 1873</b>
Test	<b>API 598</b>



**MATERIALS**

body	<b>Carbon Steel, Stainless Steel</b>	disc	<b>Carbon Steel, Stainless Steel</b>
stem	<b>Alloy Steel / 13Cr, Stainless Steel</b>	gasket	<b>Graphite / Stainless Steel</b>
bonnet	<b>Carbon Steel, Stainless Steel</b>	back seat	<b>Alloy Steel / 13Cr, Stainless Steel</b>
packing	<b>Graphite, Graphite / PTFE</b>	gland	<b>Alloy Steel / 13Cr, Stainless Steel</b>
gland flange	<b>Carbon Steel, Stainless Steel</b>	eye bolt	<b>Alloy Steel, Stainless Steel</b>
pin	<b>Carbon Steel, Stainless Steel</b>	stem nut	<b>Copper Alloy / Tool Steel</b>
hand wheel	<b>Ductile Iron</b>	nameplate	<b>Stainless Steel</b>

**FEATURES**

- Double disc configuration for larger sizes (CLASS 150LB: 10" and above; CLASS 300LB: 8" and above)
- Back seat provision with back seal test
- Gear operator fitted from 10" or 14" depending on pressure class
- Graphite or PTFE packing options for stainless steel variants
- Flanged end connections visible on valve body
- Handwheel operated (manual) globe valve
- Bolted bonnet construction
- Class 300 pressure rating cast on body (image index 6)
- DN100 (4 inch) size marking on body (image index 6)
- Sectional drawing (index 7) shows approximately 18 numbered part callouts including body, bonnet, stem, disc, packing, gland, handwheel and associated fasteners
- Dimensional drawing (index 8) shows key envelope dimensions: L (face-to-face), W (handwheel diameter), H (height), D (flange OD), B (flange thickness), f (raised face height)
- Dimensional drawings (indices 9 and 10) show similar envelope dimensions for different pressure classes or sizes
- Cross-section views indicate inside-screw, rising-stem design

**OPTIONS & NOTES**

- CLASS 150LB 10" and above will be double disc
- CLASS 150LB 14" and above Gear OP.
- CLASS 300LB 8" and above will be double disc
- CLASS 300LB 14" and above Gear OP.
- CLASS 600LB 10" and above Gear OP.
- CLASS 900LB 10" and above Gear OP.
- Size range stated as NPS 2" to 48" but dimension tables only extend to NPS 24" (150LB), NPS 12" (300LB, 600LB, 900LB)

GLOBE VALVE

# API Globe Valve

SECTION Dimensions per size REF EFC-4

SIZE	D	D	D1	D2	B	F	N_BOLT_CIR- CLE	L	H	W
NPS 2" (150LB)	51	152	120.5	92	16	1.6	4-ø19	203	315	200
NPS 2.5" (150LB)	64	178	139.5	105	18	1.6	4-ø19	216	341	220
NPS 3" (150LB)	76	190	152.5	127	19	1.6	4-ø19	241	395	250
NPS 4" (150LB)	102	229	190.5	157	24	1.6	8-ø19	292	436	280
NPS 5" (150LB)	127	254	216	186	24	1.6	8-ø22	356	474	300
NPS 6" (150LB)	152	279	241.5	216	26	1.6	8-ø22	406	530	400
NPS 8" (150LB)	203	343	298.5	270	29	1.6	8-ø22	495	608	450
NPS 10" (150LB)	254	406	362	324	31	1.6	12-ø25	622	897	500
NPS 12" (150LB)	305	483	432	381	32	1.6	12-ø25	698	1018	600
NPS 14" (150LB)	337	533	476	413	35	1.6	12-ø29	787	1168	530
NPS 16" (150LB)	387	597	540	470	37	1.6	16-ø29	914	1328	530
NPS 18" (150LB)	438	635	578	533	40	1.6	16-ø32	978	1508	600
NPS 20" (150LB)	489	699	635	584	43	1.6	20-ø32	978	1628	600
NPS 24" (150LB)	591	813	749.5	693	48	1.6	20-ø35	1295	1740	600
NPS 2" (300LB)	51	165	127	92	23	1.6	8-ø19	267	320	220
NPS 2.5" (300LB)	64	190	149	105	26	1.6	8-ø22	292	395	250

## API Globe Valve

Dimensions per size (continued) · EFC-4

SIZE	D	D	D1	D2	B	F	N_BOLT_CIR- CLE	L	H	W
NPS 3" (300LB)	76	210	168.5	127	29	1.6	8-ø22	318	425	300
NPS 4" (300LB)	102	254	200	157	32	1.6	8-ø22	356	465	350
NPS 5" (300LB)	127	279	235	186	35	1.6	8-ø22	400	570	400
NPS 6" (300LB)	152	318	270	216	37	1.6	12-ø22	444.5	562	450
NPS 8" (300LB)	203	381	330	270	42	1.6	12-ø25	559	709	500
NPS 10" (300LB)	254	445	387.5	324	48	1.6	16-ø29	622	856	500
NPS 12" (300LB)	305	521	451	381	51	1.6	16-ø32	711	1006	500
NPS 2" (600LB)	51	165	127	92	26	6.4	8-ø19	292	358	280
NPS 3" (600LB)	76	210	168	127	32	6.4	8-ø22	356	505	300
NPS 4" (600LB)	102	273	216	157	38	6.4	8-ø25	432	603	400
NPS 6" (600LB)	152	356	292	216	48	6.4	12-ø29	559	752	500
NPS 8" (600LB)	200	419	349	270	56	6.4	12-ø32	660	876	550
NPS 10" (600LB)	248	508	432	324	64	6.4	16-ø35	787	920	650
NPS 12" (600LB)	298	559	489	381	67	6.4	20-ø35	838	1100	530
NPS 2" (900LB)	47	216	165	92	38.5	6.4	8-ø26	368	405	280
NPS 3" (900LB)	73	241	190.5	127	38.5	6.4	8-ø26	381	609	400
NPS 4" (900LB)	98	292	235	157	44.5	6.4	8-ø32	457	654	450

## API Globe Valve

Dimensions per size (continued) · EFC-4

SIZE	D	D	D1	D2	B	F	N_BOLT_CIR- CLE	L	H	W
<b>NPS 6" (900LB)</b>	146	381	317.5	216	56	6.4	12-ø32	610	790	600
<b>NPS 8" (900LB)</b>	190	470	393.5	270	63.5	6.4	12-ø38	737	890	600
<b>NPS 10" (900LB)</b>	238	546	470	324	70	6.4	16-ø38	838	1054	530
<b>NPS 12" (900LB)</b>	282	610	533.5	381	79.5	6.4	20-ø38	965	1295	530

*All dimensions in millimetres unless stated otherwise. Values are nominal; tolerances confirmed at quote.*