

ACCESSORY

P10A Float Pilot – Low Pressure

REF EFC-399 ISSUED 15 Jun 2026

SPECIFICATIONS

APPROVALS & CERTIFICATIONS

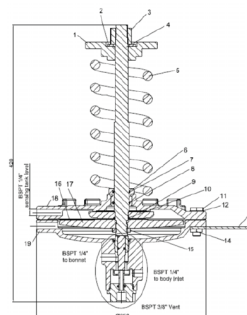
- ISO 9001

APPLICATIONS

- Small tank level control
- Cistern fill control
- Domestic and light commercial



P10A Altitude Pilot



No.	Pressure range/bar	Level range/ft
1	0.1-0.5	1-5
2	0.5-1.2	5-12
3	1.0-3.2	10-32
4	2.2-4.0	22-40

No.	Part Name	Material	Standard
1	Pressure plate	Stainless Steel	AISI 304
2	Washer	Stainless Steel	AISI 304
3	Adjusting Nut	Brass	C2122
4	Stem Upper	Stainless Steel	AISI 304
5	Spring	Spring Steel	Mn-Steel
6	End	Brass	C2122
7	O-Ring	Rubber	NBR
8	O-Ring	Rubber	NBR
9	Flange Insider	Stainless Steel	AISI 304
10	O-Ring	Rubber	NBR
11	Screw	Stainless Steel	AISI 304
12	Washer	Stainless Steel	AISI 304
13	connecting plate	Stainless Steel	AISI 304
14	Nut	Stainless Steel	AISI 304
15	Stem Nut	Stainless Steel	AISI 304
16	Diaphragm	NBR/EPDM/Rubber	EPDM/EPDM/Fuam
17	Diaphragm retainer	Stainless Steel	AISI 304
18	Bornet	Stainless Steel	AISI 304
19	Body	Stainless Steel	AISI 304
20	Nut	Brass	C2122
21	O-Ring	Rubber	NBR
22	shaft	Stainless Steel	AISI 304
23	Disc	Stainless Steel/Rubber	AISI304+EPDM
24	Spring	Stainless Steel	AISI 304
25	Ring	Brass	C2122
26	O-Ring	Rubber	NBR
27	O-Ring	Rubber	NBR

FEATURES

- The P10A is a low-pressure float pilot for use with the A10A and small-diameter A900 main valves on level control duty
- The compact pilot arm and float suit small tanks, cisterns and domestic applications
- Set point is adjusted by repositioning the float along the pilot arm

ACCESSORY

P10A Float Pilot – Low Pressure

SECTION Technical drawing 1 REF EFC-399

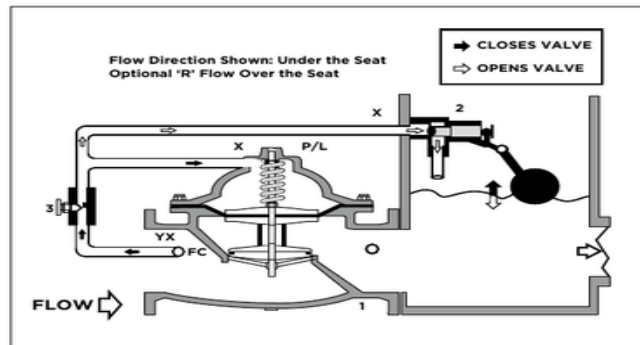
FIG BT110-10

Float Control - Modulating (Constant Level)

The FIG B110-10 maintains a constant level in storage tanks and reservoirs. Valve controlled flow into the tank is proportional to discharge flow, keeping the tank full.

NOTE: The modulating float control FIG B110-10, is remote mounted unless specified valve mounted. A stilling well around the float should be installed if the liquid surface is subject to turbulence, ripples or wind.

Quick Sizing: Valve size same as fill line or one size smaller if discharge line is smaller than the fill. Match size/capacity to discharge requirements.



VALVE FUNCTION

- Maintains a constant liquid level in a tank.
- Remote mounted pilot is sensitive to slight changes in level and controls main valve:
 - Opens when level drops
 - Closes when level rises

ACCESSORIES

Located as indicated
Included as marked

- X - Isolation Cocks
- Y - Y Strainer
- P - Position Indicator
- FC - Flo-Clean Strainer
- L - Limit Switch

COMPONENTS

1. Main Valve
2. Fig. 10-11 Modulating Float Control
3. Needle Valve - Adj. Closing Speed

FIG BT110-14

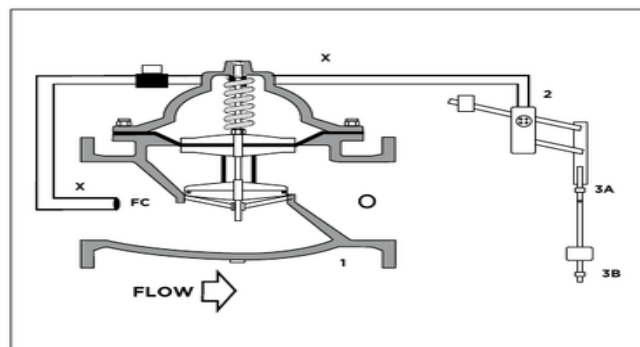
Float Control-On/Off (Open/Close) Adj. Hi/Lo Levels

The FIG B110-14 opens fully when the level reaches the preset low point and shuts off drip tight when the high level is reached. The on/off ball valve pilot is equipped with a vertical rod which allows the float to rise and drop to the adjustable upper and lower stops.

NOTE: The pilot is remote mounted unless it is specified valve mounted. Standard equipped with brass rods and plastic floats. Stainless steel rods and floats are available. Provide a stilling well around the float if a liquid surface is subject to turbulence, ripples or wind.

Specify: If the Pilot is to be mounted on the valve. Contact Ultra staff if unsure about anything.

Quick Sizing: Valve size same as fill line.



VALVE FUNCTION

- Valve opens when float reaches lower level stop (adjustable)
- Valve closes when float reaches upper level stop (adjustable)
- High and low level adjustments allows for calculated draw down
 - Opens when level drops
 - Closes when level rises

ACCESSORIES

Located as indicated
Included as marked
Large size valves may require an accelerator Pilot.

- X - Isolation Cocks
- Y - Y Strainer
- FC - Flo-Clean Strainer
- L - Limit Switch

COMPONENTS

1. Main Valve
2. Fig. 10-13 Float Pilot
3. Level Adjustment Stops
- 3A - Upper Level
- 3B - Lower Level

ACCESSORY

P10A Float Pilot – Low Pressure

SECTION Dimensions per size REF EFC-399

SIZE	L
DN50	230
DN65	290
DN80	310
DN100	350
DN125	400
DN150	480
DN200	600
DN250	730
DN300	850
DN350	980
DN400	1100
DN450	1200
DN500	1250
DN600	1450
DN700	1650
DN800	1850

All dimensions in millimetres unless stated otherwise. Values are nominal; tolerances confirmed at quote.