

FLANGE ADAPTOR

Alpine Flange Adaptor Small – Mild Steel (M2201)

REF **EFC-391** ISSUED 11 Jun 2026

SPECIFICATIONS

Size	DN50–DN200
Pressure	PN16–PN16
End connection	plain-end

STANDARDS

Design	EN 545
--------	---------------

APPROVALS & CERTIFICATIONS

- WRAS
- ISO 9001

COATINGS & LINING

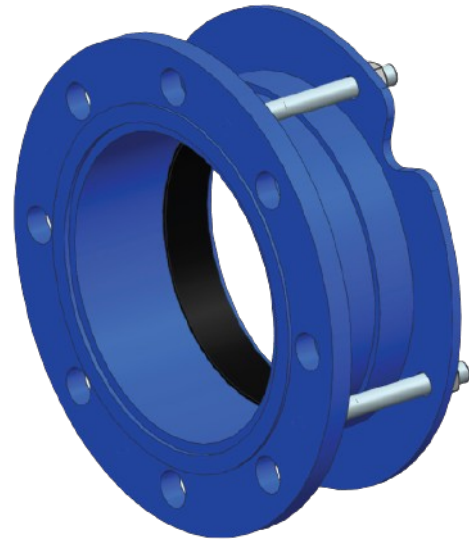
- Fusion-bonded epoxy (FBE)

APPLICATIONS

- Distribution mains
- Service connections
- Pipe transitions
- Meter installations

FEATURES

- The M2201 small flange adaptor connects plain-ended pipes DN50 to DN200 to flanged fittings or valves
- Wide-tolerance gripping ring secures the pipe against end-load without requiring thrust blocks in many configurations
- Suitable for transition joints between different pipe materials in distribution and service connection work

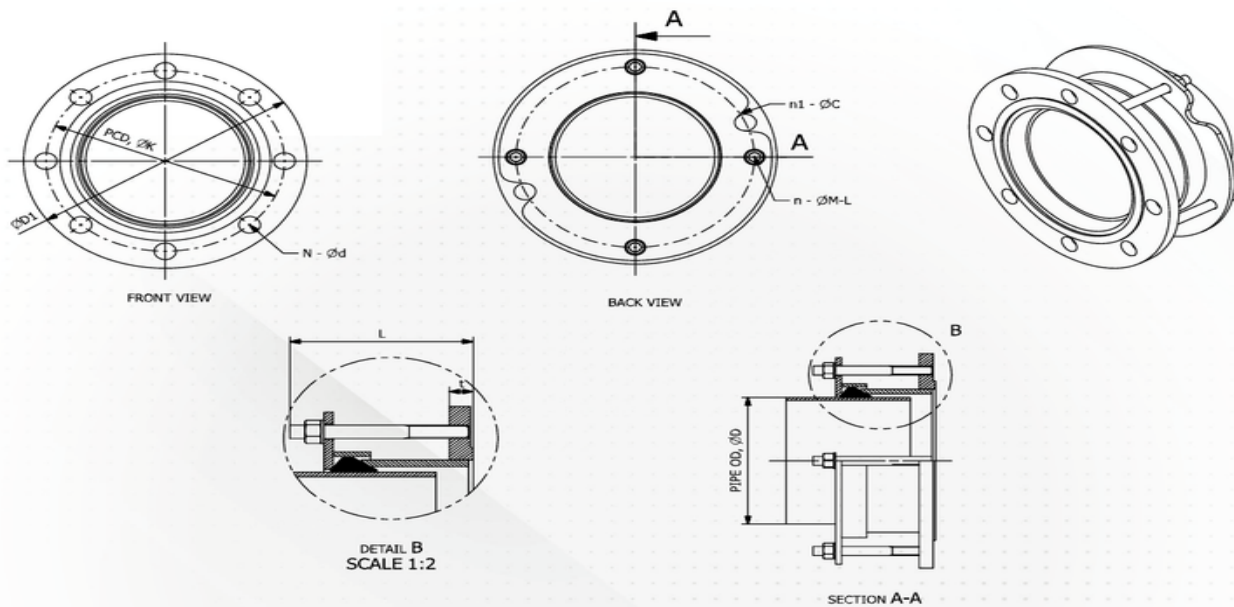


FLANGE ADAPTOR

Alpine Flange Adaptor Small – Mild Steel (M2201)

SECTION Technical drawing 1 REF EFC-391

DIMENSION



NO	Pipe OD, ØD (mm)	Pipe Material	Flange to EN1091-1		Flange Dimension					Stud Dimension		Notching		Appx. Overall Length, L (mm)	Max. Setting Gap, X (mm)	Gasket Type	Est. Weight (Kg)
			DN	Drilling	ØD1 (mm)	PCD, ØK (mm)	Thk, t (mm)	No of Holes, N (mm)	Holes Dia, Ød (mm)	Qty of Stud, n	Stud Dia. ØM X L (mm)	Qty of Notching, n	Notching Dia. ØC (mm)				
1	63.0	uPVC	50	PN10/ PN16	165	125	17	4	18	2	M12 X 120	2	18	125	25	E1	5
2	75.0	uPVC	65	PN10/ PN16	185	145	18	4	18	2	M12 X 120	2	18	125	25	E1	6
3	88.9	MS-BS	80	PN10/ PN16	200	160	18	8	18	4	M12 X 120	2	18	125	25	E1	7
4	88.9	MS-BS	80	PN25	200	160	18	8	18	4	M12 X 120	2	18	125	25	E1	7
5	90.0	uPVC	80	PN10/ PN16	200	160	18	8	18	4	M12 X 120	2	18	125	25	E1	7
6	98.0	DI	80	PN10/ PN16	200	160	18	8	18	4	M12 X 120	2	18	125	25	E1	7
7	110.0	uPVC	100	PN10/ PN16	220	180	20	8	18	4	M12 X 120	2	18	125	25	E1	9
8	114.3	MS-BS	100	PN10/ PN16	220	180	20	8	18	4	M12 X 120	2	18	125	25	E1	9
9	114.3	MS-BS	100	PN25	235	190	20	8	22	4	M12 X 120	2	22	125	25	E1	9
10	118.0	DI	100	PN10/ PN16	200	160	20	8	18	4	M12 X 120	2	18	125	25	E1	9
11	118.0	DI	100	PN25	235	190	20	8	22	4	M12 X 120	2	22	125	25	E1	10
12	121.9	MS-JKR	100	PN10/ PN16	220	180	20	8	18	4	M12 X 120	2	18	125	25	E1	10
13	121.9	MS-JKR	100	PN25	235	190	20	8	22	4	M12 X 120	2	22	125	25	E1	10
14	125.0	uPVC	125	PN10/ PN16	250	210	20	8	18	4	M12 X 120	2	18	125	25	E1	9
15	139.7	MS-BS	125	PN10/ PN16	250	210	20	8	18	4	M12 X 120	2	18	125	25	E1	9
16	139.7	MS-BS	125	PN25	270	220	20	8	26	4	M12 X 120	2	26	125	25	E1	9

FLANGE ADAPTOR

Alpine Flange Adaptor Small – Mild Steel (M2201)

SECTION Dimensions per size REF EFC-391

SIZE	L	WEIGHT
OD 63.0 (DN50)	125	5 kg
OD 75.0 (DN65)	125	6 kg
OD 88.9 (DN80)	125	7 kg
OD 88.9 (DN80)	125	7 kg
OD 90.0 (DN80)	125	7 kg
OD 98.0 (DN80)	125	7 kg
OD 110.0 (DN100)	125	9 kg
OD 114.3 (DN100)	125	9 kg
OD 114.3 (DN100)	125	9 kg
OD 118.0 (DN100)	125	9 kg
OD 118.0 (DN100)	125	10 kg
OD 121.9 (DN100)	125	10 kg
OD 121.9 (DN100)	125	10 kg
OD 125.0 (DN125)	125	9 kg
OD 139.7 (DN125)	125	9 kg
OD 139.7 (DN125)	125	9 kg
OD 140.0 (DN125)	125	10 kg

Alpine Flange Adaptor Small – Mild Steel (M2201)

Dimensions per size (continued) · EFC-391

SIZE	L	WEIGHT
OD 160.0 (DN150)	125	12 kg
OD 168.3 (DN150)	125	12 kg
OD 168.3 (DN150)	125	12 kg
OD 170.0 (DN150)	125	12 kg
OD 170.0 (DN150)	125	12 kg
OD 177.3 (DN150)	125	13 kg
OD 177.3 (DN150)	125	13 kg
OD 180.0 (DN175)	125	13 kg
OD 200.0 (DN200)	125	15 kg
OD 200.0 (DN200)	125	16 kg
OD 219.1 (DN200)	125	15 kg
OD 219.1 (DN200)	125	16 kg
OD 219.1 (DN200)	125	17 kg
OD 222.0 (DN200)	125	15 kg
OD 222.0 (DN200)	125	16 kg
OD 222.0 (DN200)	125	17 kg
OD 225.0 (DN200)	125	15 kg
OD 225.0 (DN200)	125	16 kg
OD 232.2 (DN200)	125	15 kg
OD 232.2 (DN200)	125	16 kg

Alpine Flange Adaptor Small – Mild Steel (M2201)

Dimensions per size (continued) · EFC-391

SIZE	L	WEIGHT
OD 232.2 (DN200)	125	17 kg
OD 250.0 (DN250)	125	15 kg
OD 250.0 (DN250)	125	16 kg
OD 273.0 (DN250)	125	16 kg
OD 273.0 (DN250)	125	17 kg
OD 273.0 (DN250)	125	18 kg
OD 274.0 (DN250)	125	16 kg
OD 274.0 (DN250)	125	17 kg
OD 274.0 (DN250)	125	18 kg
OD 280.0 (DN250)	125	16 kg
OD 280.0 (DN250)	125	18 kg
OD 286.0 (DN250)	125	16 kg
OD 286.0 (DN250)	125	18 kg
OD 286.0 (DN250)	125	20 kg
OD 315.0 (DN300)	125	20 kg
OD 315.0 (DN300)	125	25 kg
OD 323.9 (DN300)	125	20 kg
OD 323.9 (DN300)	125	25 kg
OD 323.9 (DN300)	125	28 kg
OD 326.0 (DN300)	125	20 kg

Alpine Flange Adaptor Small – Mild Steel (M2201)

Dimensions per size (continued) · EFC-391

SIZE	L	WEIGHT
OD 326.0 (DN300)	125	25 kg
OD 326.0 (DN300)	125	28 kg
OD 345.0 (DN300)	125	21 kg
OD 345.0 (DN300)	125	26 kg
OD 345.0 (DN300)	125	29 kg
OD 355.6 (DN350)	160	27 kg
OD 355.6 (DN350)	160	27 kg
OD 355.6 (DN350)	160	30 kg
OD 355.6 (DN350)	160	30 kg
OD 355.6 (DN350)	160	35 kg
OD 378.0 (DN350)	160	25 kg
OD 378.0 (DN350)	160	28 kg
OD 378.0 (DN350)	160	35 kg
OD 399.3 (DN350)	160	26 kg
OD 399.3 (DN350)	160	29 kg
OD 399.3 (DN350)	160	34 kg
OD 406.4 (DN400)	160	32 kg
OD 406.4 (DN400)	160	32 kg
OD 406.4 (DN400)	160	35 kg
OD 406.4 (DN400)	160	35 kg

Alpine Flange Adaptor Small – Mild Steel (M2201)

Dimensions per size (continued) · EFC-391

SIZE	L	WEIGHT
OD 406.4 (DN400)	160	41 kg
OD 429.0 (DN400)	160	29 kg
OD 429.0 (DN400)	160	32 kg
OD 429.0 (DN400)	160	38 kg
OD 453.1 (DN400)	160	27 kg
OD 453.1 (DN400)	160	30 kg
OD 453.1 (DN400)	160	36 kg

All dimensions in millimetres unless stated otherwise. Values are nominal; tolerances confirmed at quote.