

FLANGE ADAPTOR

Alpine Flange Adaptor Large – Mild Steel (M2202)

REF **EFC-390** ISSUED 11 Jun 2026

SPECIFICATIONS

Size	DN150–DN600
Pressure	PN16–PN16
End connection	plain-end

STANDARDS

Design	EN 545, EN 598
--------	-----------------------

APPROVALS & CERTIFICATIONS

- WRAS
- ISO 9001

COATINGS & LINING

- Fusion-bonded epoxy (FBE)

APPLICATIONS

- Pipe transitions
- Ductile iron to steel
- Pipe repair
- Network upgrades

FEATURES

- The M2202 large flange adaptor connects plain-ended pipes of different outside diameters to a flanged fitting or valve

PRESSURE-TEMPERATURE RATING

CLASS	TEMPERATURE	MAX PRESSURE
PN6	50°C	6 bar
PN10	50°C	10 bar
PN16	50°C	16 bar
PN25	50°C	25 bar

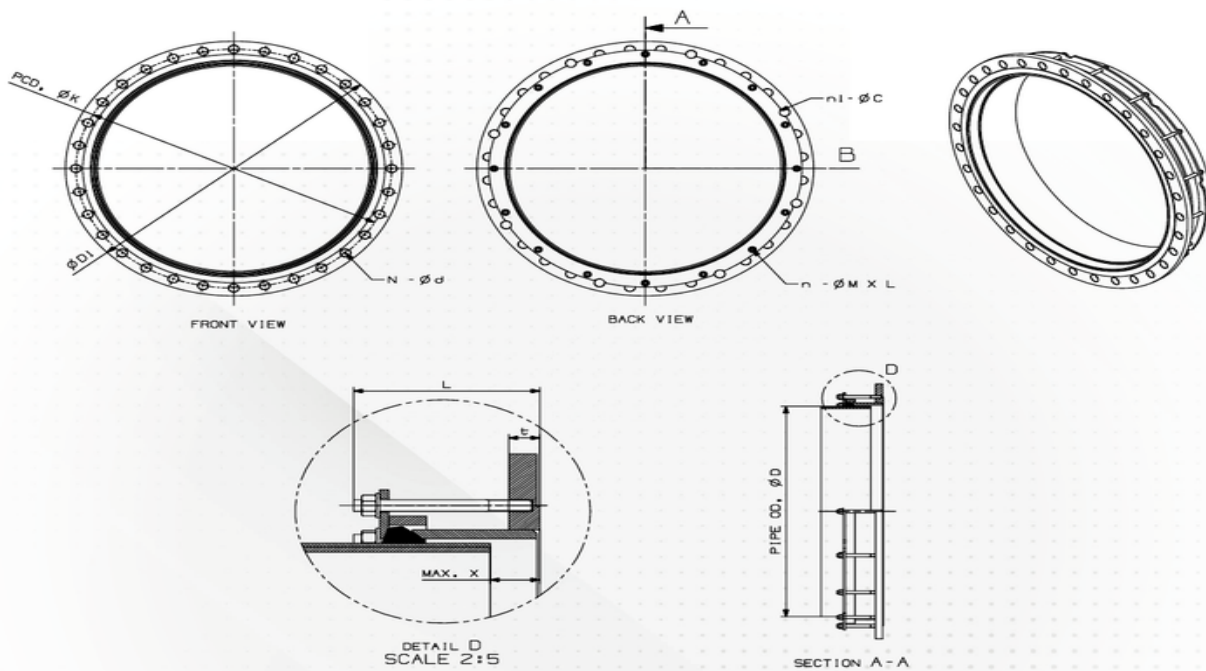


FLANGE ADAPTOR

Alpine Flange Adaptor Large – Mild Steel (M2202)

SECTION Technical drawing 1 REF EFC-390

DIMENSION



NO	Pipe OD, ØD (mm)	Pipe Material	Flange to EN1091-1		Flange Dimension				Stud Dimension		Notching		Appx. Overall Length, L (mm)	Max. Setting Gap, X (mm)	Gasket Type	Est. Weight (Kg)	
			DN	Drilling	ØD1 (mm)	PCD, ØK (mm)	Thk, t (mm)	No of Holes, N (mm)	Holes Dia., Ød (mm)	Qty of Stud, n	Stud Dia. ØM X L (mm)	Qty of Notching, n1					Notching Dia. ØC (mm)
1	457.0	MS-BS	450	PN10	615	565	28	20	26	10	M16 X 150	4	26	160	50	E1	37
2	457.0	uPVC	450	PN10	615	565	28	20	26	10	M16 X 150	4	26	160	50	E1	37
3	457.0	MS-BS	450	PN16	640	585	28	20	30	10	M16 X 150	4	30	160	50	E1	42
4	457.0	uPVC	450	PN16	640	585	28	20	30	10	M16 X 150	4	30	160	50	E1	42
5	457.0	MS-BS	450	PN25	670	600	28	20	36	10	M16 X 150	4	36	160	50	E1	49
6	480.0	DI	450	PN10	615	565	28	20	26	10	M16 X 150	4	26	160	50	E1	35
7	480.0	DI	450	PN16	640	585	28	20	30	10	M16 X 150	4	30	160	50	E1	40
8	480.0	DI	450	PN25	670	600	28	20	36	10	M16 X 150	4	36	160	50	E1	46
9	507.0	MS-JKR	450	PN10	615	565	28	20	26	10	M16 X 150	4	26	160	50	E1	38
10	507.0	MS-JKR	450	PN16	640	585	28	20	30	10	M16 X 150	4	30	160	50	E1	48
11	507.0	MS-JKR	450	PN25	670	600	28	20	36	10	M16 X 150	4	36	160	50	E1	55
12	508.0	MS-BS	500	PN10	670	620	28	20	26	10	M16 X 150	4	26	160	50	E1	38
13	508.0	uPVC	500	PN10	670	620	28	20	26	10	M16 X 150	4	26	160	50	E1	38
14	508.0	MS-BS	500	PN16	715	650	28	20	33	10	M16 X 150	4	33	160	50	E1	48

