

BACKFLOW PREVENTER

BFPX – Back Flow Preventer

REF **EFC-389** ISSUED 11 Jun 2026

SPECIFICATIONS

Size	DN15–DN250
Pressure	PN10–PN16
End connection	threaded (BSP) / flanged (EN 1092-2)

STANDARDS

Design	EN 1717, EN 12729
--------	--------------------------

APPROVALS & CERTIFICATIONS

- WRAS
- ISO 9001

APPLICATIONS

- Industrial cross-connections
- Irrigation systems
- Commercial buildings
- Hospitals
- Food processing
- Fire suppression

FEATURES

- The BFPX provides reduced pressure zone (RPZ) backflow prevention to EN 1717 for fluid category 4 and 5 hazards
- The assembly comprises two independent check valves with a monitored relief valve in the zone between them
- If either check valve fails, the relief valve opens to atmosphere, preventing contaminated downstream water from siphoning back into the potable supply
- Mandatory for connections to industrial processes, irrigation and commercial premises under current European water regulations



PRESSURE-TEMPERATURE RATING

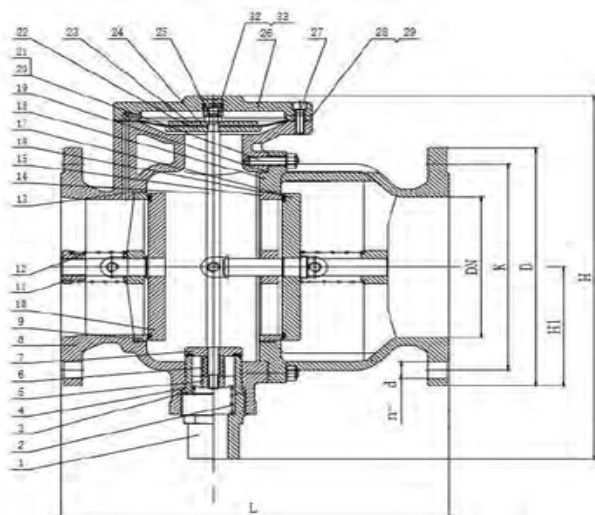
CLASS	TEMPERATURE	MAX PRESSURE
PN10	-10°C	10 bar
PN10	80°C	10 bar
PN16	-10°C	16 bar
PN16	80°C	16 bar

BACKFLOW PREVENTER

BFPX – Back Flow Preventer

SECTION Technical drawing 1 of 2 REF EFC-389

BFPX - Flange type



Parts List

No.	Part Name	Material	Standard
1	Relief Joint	Stainless steel	AISI304
2	Spring	Stainless steel	AISI304
3	Seat	Stainless steel	AISI304
4	O-ring	Rubber	EPDM
5	Nut	Stainless steel	AISI304
6	Bushing	Plastic	PTFE
7	Wedge	Stainless steel	AISI304
8	Body	Ductile iron	GJS500-7
9	Front Seat	Stainless steel	AISI304
10	Front Retainer	SS+Rubber	AISI304+EPDM
11	Spring seat	Stainless steel	AISI304
12	Spring	Stainless steel	AISI304
13	O-ring	Rubber	EPDM
14	Stem	Stainless steel	AISI304
15	Back Seat	Stainless steel	AISI304
16	Back Retainer	SS+Rubber	AISI304+EPDM
17	O-ring	Rubber	EPDM
18	By-Body	Ductile iron	GJS500-7
19	O-ring	Rubber	EPDM
20	Bolt	Stainless steel	AISI304
21	Hex Bolt	Stainless steel	AISI304
22	Down Retainer	Stainless steel	AISI304
23	Diaphragm	Rubber+Nylon	EPDM+Nylon reinforcement
24	Up Retainer	Stainless steel	AISI304
25	Bolt	Stainless steel	AISI304
26	Bonnet	Ductile iron	GJS500-7

27	Bolt	Stainless steel	AISI304
28	Bolt	Stainless steel	AISI304
29	Gasket	Rubber	EPDM

Dimension:

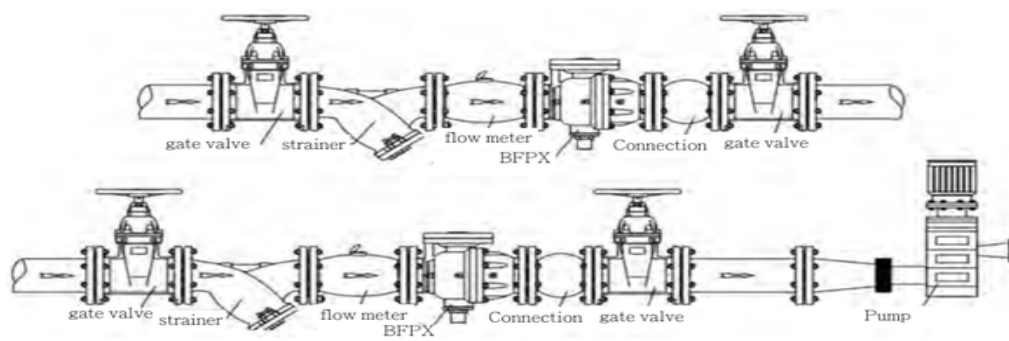
DN	Model No	L (F/F)	ØD		ØK		n-Ød		Unit: mm
			PN10	PN16	PN10	PN16	PN10	PN16	
50	BFPX-0050	230	165		125		4-Ø19		
65	BFPX-0065	236	185		145		4-Ø19		
80	BFPX-0080	276	200		160		8-Ø19		
100	BFPX-0100	298	220		180		8-Ø19		
125	BFPX-0125	303	250		210		8-Ø23		
150	BFPX-0150	364	285		240		8-Ø23		
200	BFPX-0200	470	340		295		8-Ø23	12-Ø23	
250	BFPX-0250	530	395	405	350	355	12-Ø23	12-Ø28	
300	BFPX-0300	580	445	460	400	410	12-Ø23	12-Ø28	
350	BFPX-0350	690	505	520	460	470	16-Ø23	16-Ø28	
400	BFPX-0400	770	565	580	515	525	16-Ø28	16-Ø32	

BACKFLOW PREVENTER

BFPX – Back Flow Preventer

SECTION Technical drawing 2 of 2 REF EFC-389

Installation Recommendation



1. Before installation, the pipe should be washed out to clean.
2. The horizontal installation is recommended.
3. The gate valve should be installed in both side of the backflow preventer. There should be a strainer in the inlet of back flow preventer.
4. There should be more than 300mm tolerance between the water release nozzle and ground.

BACKFLOW PREVENTER

BFPX – Back Flow Preventer

SECTION Dimensions per size REF EFC-389

SIZE	L	OD_PN10	OK_PN10	OD_PN16	OK_PN16
DN50	230	165	125	—	—
DN65	236	185	145	—	—
DN80	276	200	160	—	—
DN100	298	220	180	—	—
DN125	303	250	210	—	—
DN150	364	285	240	—	—
DN200	470	340	295	—	—
DN250	530	395	350	405	355
DN300	580	445	400	460	410
DN350	690	505	460	520	470
DN400	770	565	515	580	525

All dimensions in millimetres unless stated otherwise. Values are nominal; tolerances confirmed at quote.