

PLUG VALVE

PVGX – Eccentric Plug Valve

REF **EFC-388** ISSUED 11 Jun 2026

SPECIFICATIONS

Size	DN50–DN600
Pressure	PN10–PN16
End connection	flanged (EN 1092-1) / flanged (EN 1092-1) / flanged (ANSI B16.1)

STANDARDS

Design **AWWA C517, ANSI B16.1, EN 1092-1**

APPROVALS & CERTIFICATIONS

- ISO 9001

APPLICATIONS

- Raw sewage
- Sludge
- Abrasive slurries
- Industrial effluent
- Wastewater treatment



MATERIALS

body	Ductile Iron ASTM A536 Grade 65-45-12	v seal	NBR
thrust washer	PTFE		

FEATURES

- The PVGX eccentric plug valve uses an offset plug that lifts clear of the seat as it opens, eliminating rubbing contact and dramatically reducing operating torque and wear
- The plug face contacts the seat only in the fully closed position, providing a positive shut-off with minimal seat wear
- Suitable for raw sewage, sludge, abrasive slurries and general industrial service where conventional valves wear rapidly

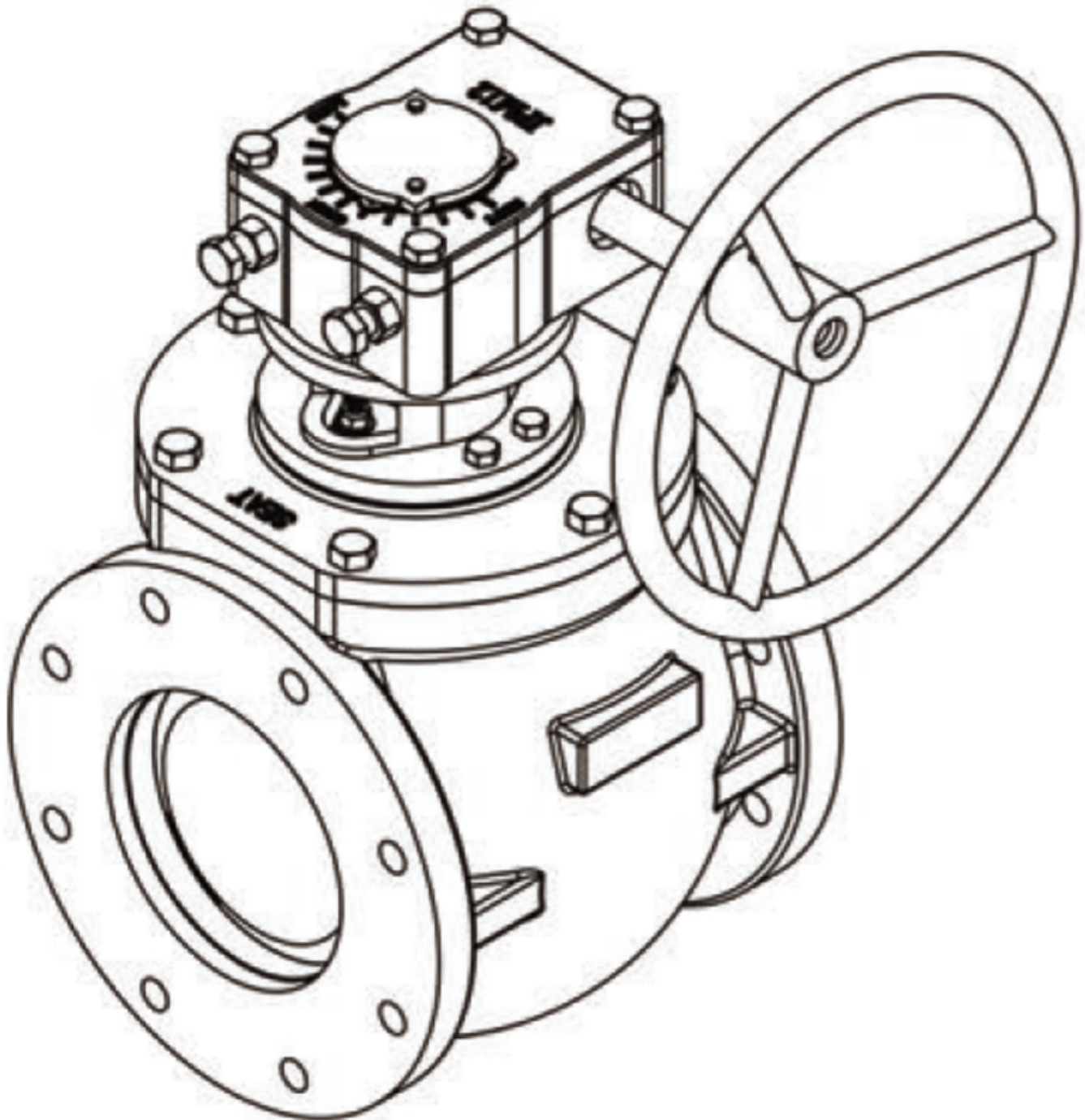
PRESSURE-TEMPERATURE RATING

CLASS	TEMPERATURE	MAX PRESSURE
PN10	-10°C	10 bar
PN10	80°C	10 bar
PN16	-10°C	16 bar
PN16	80°C	16 bar

PLUG VALVE

PVGX – Eccentric Plug Valve

SECTION Technical drawing 1 of 4 REF EFC-388



PLUG VALVE

PVGX – Eccentric Plug Valve

SECTION Technical drawing 2 of 4 REF EFC-388



PLUG VALVE

PVGX – Eccentric Plug Valve

SECTION Technical drawing 3 of 4 REF EFC-388

DN	A	B	C	D	E	F	ISO7005-2 PN10						ISO7005-2 PN16						S	T		
							d	f	G	H	J	K	L	d	f	G	H	J			K	L
DN80	203	19	111	215	38	200	132	3	160	N/A	N/A	M16	8	132	3	160	N/A	N/A	M16	8	24	8×7
DN100	229	24	132	238	45	230	156	3	180	N/A	N/A	M16	8	156	3	180	N/A	N/A	M16	8	31	10×8
DN150	267	25	171	288	42	285	211	3	240	N/A	N/A	M20	8	211	3	240	N/A	N/A	M20	8	31	10×8
DN200	292	28	207	345	50	345	266	3	295	N/A	N/A	M20	8	266	3	295	N/A	N/A	M20	12	38	10×8
DN250	330	30	226	392	78	406	319	3	350	23	8	M20	4	319	3	355	28	8	M24	4	41.3	11.1×11.1
DN300	356	32	254	436	78	483	370	4	400	23	8	M20	4	370	4	410	28	8	M24	4	50.8	12.7×12.7

PLUG VALVE

PVGX – Eccentric Plug Valve

SECTION Technical drawing 4 of 4 REF EFC-388

DN	A	B	C	D	E	F	ISO7005-2 PN10						ISO7005-2 PN16						S	T		
							d	f	G	H	J	K	L	d	f	G	H	J			K	L
DN350	432	35	350	440	38	534	429	4	460	23	12	M20	4	429	4	470	28	12	M24	4	63.5	5/8×7/16
DN400	451	37	385	460	42	597	480	4	515	28	8	M24	8	480	4	525	31	8	M27	8	63.5	5/8×7/16
DN450	546	40	420	490	42	635	530	4	565	28	12	M24	8	548	4	585	31	12	M27	8	63.5	5/8×7/16
DN500	597	43	440	570	51	715	582	4	620	28	12	M24	8	609	4	650	34	12	M30	8	63.5	5/8×7/16
DN600	1067	48	525	610	76	840	682	5	725	31	20	N/A	N/A	720	5	770	37	20	N/A	N/A	95.2	7/8×5/8

PLUG VALVE

PVGX – Eccentric Plug Valve

SECTION Dimensions per size REF EFC-388

SIZE	A	B	C	D	E	F	S	T
DN80	203	19	111	215	38	200	24	null
DN100	229	24	132	238	45	230	31	—
DN150	267	25	171	288	42	285	31	—
DN200	292	28	207	345	50	345	38	—
DN250	330	30	226	392	78	406	41.3	—
DN300	356	32	254	436	78	483	50.8	—
DN350	432	35	350	440	38	534	63.5	—
DN400	451	37	385	460	42	597	63.5	—
DN450	546	40	420	490	42	635	63.5	—
DN500	597	43	440	570	51	715	63.5	—
DN600	1067	48	525	610	76	840	95.2	—

All dimensions in millimetres unless stated otherwise. Values are nominal; tolerances confirmed at quote.