

CHECK VALVE

BCVX – Ball Check Valve

REF **EFC-385** ISSUED 15 Jun 2026

SPECIFICATIONS

Size	DN50–DN400
Pressure	PN10–PN16
End connection	flanged (EN 1092-2)

STANDARDS

Design	EN 12334
--------	-----------------

APPROVALS & CERTIFICATIONS

- ISO 9001

APPLICATIONS

- Raw sewage
- Solids-laden flow
- Lift stations
- Storm water
- Industrial effluent

FEATURES

- The BCVX uses a spherical ball as the closure element, providing a full-bore passageway with no disc, flap or hinge mechanism that solids could catch on
- Forward flow rolls the ball off its seat; reverse flow seats the ball under its own weight
- The smooth interior bore allows passage of solids-laden media, rags and fibrous material without blockage
- Essential for raw sewage lift stations

PRESSURE-TEMPERATURE RATING

CLASS	TEMPERATURE	MAX PRESSURE
PN16	-10°C	16 bar
PN16	80°C	16 bar

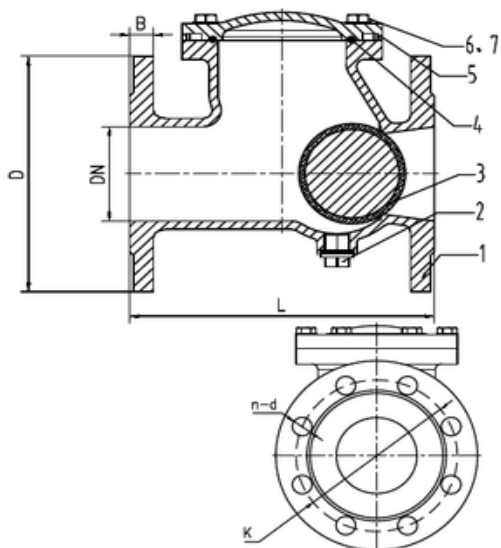


CHECK VALVE

BCVX – Ball Check Valve

SECTION Technical drawing 1 REF EFC-385

BCVX-Main Valve



Parts List & Material

No.	Part Name	Material	Standard
1	Body	Ductile Iron	EN GJS500-7
2	Plug	Stainless Steel	SS304
3	Float	Rubber + Steel	#45 + NBR
4	Gasket	Rubber	NBR
5	Bonnet	Ductile Iron	EN GJS500-7
6	Bolt	Stainless Steel	SS304
7	Washer	Stainless Steel	SS304

Dimension:

Unit: mm

DN	Model No	L	D		K		n-Ød		B
			PN10	PN16	PN10	PN16	PN10	PN16	
50	BCVX-0050	200	165		125		4-Ø19		19
65	BCVX-0065	240	185		145		4-Ø19		19
80	BCVX-0080	260	200		160		8-Ø19		19
100	BCVX-0100	300	220		180		8-Ø19		19
125	BCVX-0125	350	250		210		8-Ø19		19
150	BCVX-0150	400	285		240		8-Ø23		19
200	BCVX-0200	500	340		295		8-Ø23	12-Ø23	20
250	BCVX-0250	600	395	405	350	355	12-Ø23	12-Ø28	22
300	BCVX-0300	700	445	460	400	410	12-Ø23	12-Ø28	24.5

Ordering Code:

BCVX - 0150 - 16

Model:
BCVX: Ball Check Valve

End Connection / ratings:

10: PN10
16: PN16
A1: ANSI 125 LB
A5: ANIS 150 LB

Valve Size:

0080: 80 mm
0150: 150 mm

CHECK VALVE

BCVX – Ball Check Valve

SECTION Dimensions per size REF EFC-385

SIZE	L	D_PN10	K_PN10	B	D_PN16	K_PN16
DN50	200	165	125	19	—	—
DN65	240	185	145	19	—	—
DN80	260	200	160	19	—	—
DN100	300	220	180	19	—	—
DN125	350	250	210	19	—	—
DN150	400	285	240	19	—	—
DN200	500	340	295	20	—	—
DN250	600	395	350	22	405	355
DN300	700	445	400	24.5	460	410

All dimensions in millimetres unless stated otherwise. Values are nominal; tolerances confirmed at quote.