

CHECK VALVE

SDCV – Slanted Disc Check Valve

REF **EFC-383** ISSUED 15 Jun 2026

SPECIFICATIONS

Size	DN50–DN1200
Pressure	PN10–PN16
End connection	flanged (EN 1092-2)

STANDARDS

Design	EN 12334
--------	-----------------

APPROVALS & CERTIFICATIONS

- ISO 9001

COATINGS & LINING

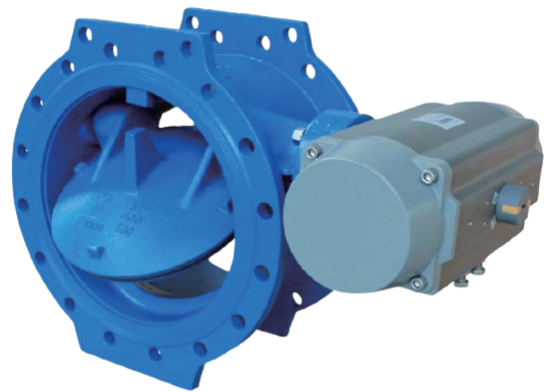
- Rubber lined

APPLICATIONS

- Pump discharge
- Water transmission
- Treated effluent
- Booster stations

FEATURES

- The SDCV features a slanted disc that closes at a low angle to the flow direction, significantly reducing the closing velocity and disc slam compared to conventional swing check valves
- The low headloss design minimises pumping energy
- The slanted geometry ensures self-closing under gravity with minimal reverse flow
- Suitable for pump discharge on clean water and treated effluent



PRESSURE-TEMPERATURE RATING

CLASS	TEMPERATURE	MAX PRESSURE
PN10	-10°C	10 bar
PN10	80°C	10 bar
PN16	-10°C	16 bar
PN16	80°C	16 bar

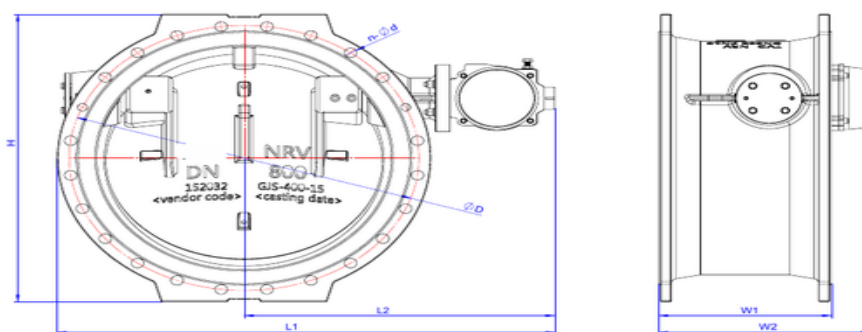
CHECK VALVE

SDCV – Slanted Disc Check Valve

SECTION Technical drawing 1 REF EFC-383

RDCV-Mian Valve

- Body: GGG40
- Disc: GGG40
- Shaft: 2Cr13
- Sealing: EPDM
- Retaining ring: stainless steel 304
- Seat: nickel alloy welded seat
- Cushion device
Body, Piston: aluminum alloy
Seal guide: PTFE



Dimension:

Unit: mm

PN10

DN	unit	200	250	300	350	400	450	500	600	700	800	900	1000	1200	1400	1600
H	[mm]	370	410	470	530	600	600	680	820	910	1030	1130	1260	1480	1690	1930
L1	[mm]	609	615	744.5	858	901.5	901.5	1068	1123	1224	1352	1679	1684.5	1917	2410	2525
L2	[mm]	429	415	517	601	619	619	733	733	776	844	1119	1062	1182	1573	1618
D	[mm]	295	350	400	460	515	515	620	725	840	950	1050	1160	1380	1590	1820
n-Φd	[mm]	8-Φ23	12-Φ23	12-Φ23	16-Φ23	16-Φ28	16-Φ28	20-Φ28	20-Φ31	24-Φ30	24-Φ34	28-Φ34	28-Φ37	32-Φ41	36-Φ44	40-Φ50
W1	[mm]	230	250	270	290	310	310	350	390	430	470	510	550	630	710	790
W2	[mm]	253	278	288	354	361	361	424	489	519	575	784	784	845	946	950

PN16

DN	unit	200	250	300	350	400	450	500	600	700	800	1000	1400
H	[mm]	370	410	470	530	600	650	680	820	910	1030	1260	1260
L1	[mm]	609	615	744.5	858	913.5	1003	1090.5	1228.5	1245	1374.5	1712	2411
L2	[mm]	429	415	517	601	623	683	733	781	790	862	1084.5	1568
D	[mm]	295	355	410	470	525	585	650	70	840	950	1170	1590
n-Φd	[mm]	12-Φ23	12-Φ28	12-Φ28	16-Φ28	16-Φ31	20-Φ31	20-Φ34	20-Φ37	24-Φ37	24-Φ41	28-Φ44	36-Φ50
W1	[mm]	230	250	270	290	310	330	350	390	430	470	550	710
W2	[mm]	253	278	288	354	361	398	424	489	519	575	640	946

SDCV - 0150 - 16

Model:
SDCV: Slanted Disc Check Valve

End Connection / ratings:
10: PN10
16: PN16

Valve Size:
0080: 80 mm
0150: 150 mm

CHECK VALVE

SDCV – Slanted Disc Check Valve

SECTION Dimensions per size REF EFC-383

SIZE	H	L1	L2	D	W1	W2
DN200	370	609	429	295	230	253
DN250	410	615	415	350	250	278
DN300	470	744.5	517	400	270	288
DN350	530	858	601	460	290	354
DN400	600	901.5	619	515	310	361
DN450	600	901.5	619	515	310	361
DN500	680	1068	733	620	350	424
DN600	820	1123	733	725	390	489
DN700	910	1224	776	840	430	519
DN800	1030	1352	844	950	470	575
DN900	1130	1679	1119	1050	510	784
DN1000	1260	1684.5	1062	1160	550	784
DN1200	1480	1917	1182	1380	630	845
DN1400	1690	2410	1573	1590	710	946
DN1600	1930	2525	1618	1820	790	950

All dimensions in millimetres unless stated otherwise. Values are nominal; tolerances confirmed at quote.