

BUTTERFLY VALVE

Alpine Wafer Lugged Butterfly Valve

REF **EFC-376** ISSUED 15 Jun 2026

SPECIFICATIONS

Size	DN50–DN300
Pressure	PN10–PN16
End connection	wafer/lugged (EN 1092-2)

STANDARDS

Design	EN 593, ISO 5752, DIN 3202, BS 5155, API 609, ISO 5211
--------	---

APPROVALS & CERTIFICATIONS

- ISO 9001

APPLICATIONS

- Water treatment
- Pump stations
- Building services
- HVAC
- Industrial water



MATERIALS

body	Ductile Iron GGG40	disc	Ductile Iron / Stainless Steel / Aluminum Bronze
seat	NBR / EPDM	shaft	AISI 410 / 304 / 316
bushings	PTFE		

FEATURES

- The Alpine wafer-lugged butterfly valve offers the space saving of a wafer design with the dead-end service capability of a lugged body
- Through-tapped lugs allow the downstream pipe to be removed without disturbing the valve, making it suitable for end-of-line installations
- Compact face-to-face dimension reduces spool piece length in tight plant rooms

PRESSURE-TEMPERATURE RATING

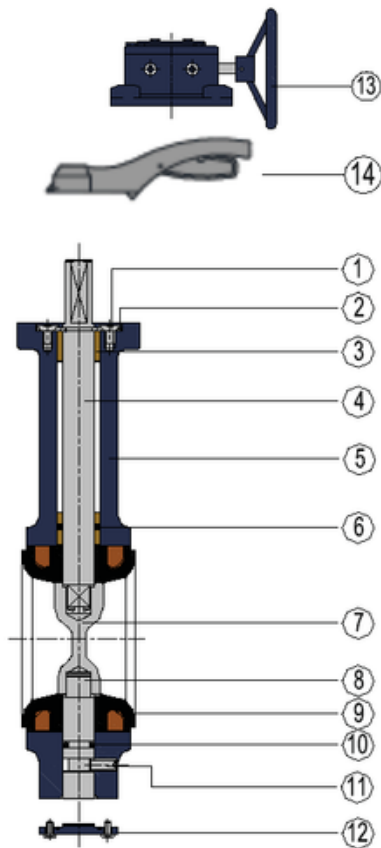
CLASS	TEMPERATURE	MAX PRESSURE
PN16	-10°C	16 bar
PN16	120°C	16 bar

BUTTERFLY VALVE

Alpine Wafer Lugged Butterfly Valve

SECTION Technical drawing 1 of 2 REF EFC-376

WB-Wafer Butterfly Valve



Parts List

No.	Part Name	Material	Standard
1	Bolts	Stainless Steel	AISI 410
2	Retaining Plate	Stainless Steel	AISI 410
3	Bushing	Plastic+Aluminum Bronze	Teflon+AL/CA103
4	Upper Shaft	Stainless Steel	AISI 410/304/316
5	Body	DI	GGG40
6	O-Ring	Rubber	NBR/EPDM
7	Disc	DI/ Stainless Steel/ Aluminum Bronze	GGG40+Nickel Plated/CF8,CF8M/ C95400 AB1
8	Bottom Shaft	Stainless Steel	AISI 410/304/306
9	Replaceable Seat	Rubber	NBR/EPDM
10	O-Ring	Rubber	NBR/EPDM
11	Bolts	Stainless Steel	Commercial
*12	Bottom Cover	DI	GGG40
13	Worm Gear Head	CI	GGG25
14	Lever	CS	Commercial

* Only for DN400 and above

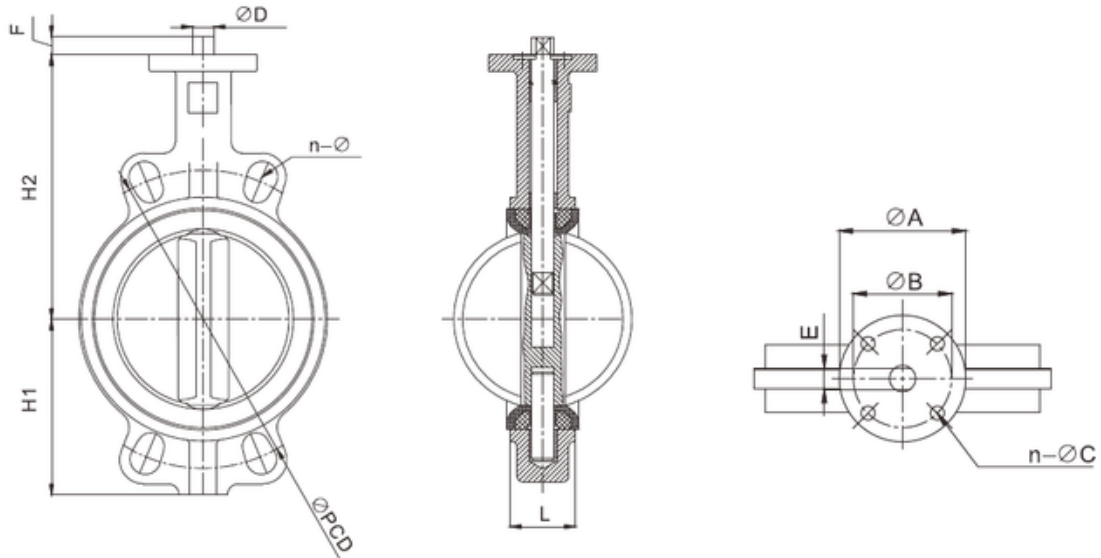
Hydraulic Test:
Test Standard: BS/ISO/GB
Seat : 1.1 X PN
Body : 1.5 X PN

BUTTERFLY VALVE

Alpine Wafer Lugged Butterfly Valve

SECTION Technical drawing 2 of 2 REF EFC-376

WB-Wafer Butterfly Valve



SIZE DN	H1	H2	ØA	ØB	n-ØC	ØD	E	L	PCD	F
DN50	63	131	Ø65	Ø50	4-Ø8	Ø12.6	9	42	125	12
DN65	86.5	145.5	Ø65	Ø50	4-Ø8	Ø12.6	9	45	145	12
DN80	93	150	Ø65	Ø50	4-Ø8	Ø12.6	9	46	160	12
DN100	109	172	Ø90	Ø70	4-Ø10	Ø15.77	11	52	180	14
DN125	128	182	Ø90	Ø70	4-Ø10	Ø18.92	14	56	210	17
DN150	146	201	Ø90	Ø70	4-Ø10	Ø18.92	14	56	240	17
DN200	176	229	Ø125	Ø102	4-Ø12	Ø22.1	17	60	295	22
DN250	213	271	Ø125	Ø102	4-Ø12	Ø28.45	22	68	350	22
DN300	242	302	Ø125	Ø102	4-Ø12	Ø31.6	24	78	400	22

BUTTERFLY VALVE

Alpine Wafer Lugged Butterfly Valve

SECTION Dimensions per size REF EFC-376

SIZE	H1	H2	A	B	D	E	L	PCD	F
DN50	63	131	65	50	12.6	9	42	125	12
DN65	86.5	145.5	65	50	12.6	9	45	145	12
DN80	93	150	65	50	12.6	9	46	160	12
DN100	109	172	90	70	15.77	11	52	180	14
DN125	128	182	90	70	18.92	14	56	210	17
DN150	146	201	90	70	18.92	14	56	240	17
DN200	176	229	125	102	22.1	17	60	295	22
DN250	213	271	125	102	28.45	22	68	350	22
DN300	242	302	125	102	31.6	24	78	400	22

All dimensions in millimetres unless stated otherwise. Values are nominal; tolerances confirmed at quote.