

BUTTERFLY VALVE

# FBLC – Concentric Flange Butterfly Valve

REF **EFC-374** ISSUED 15 Jun 2026

## SPECIFICATIONS

Size	<b>DN50–DN1200</b>
Pressure	<b>PN10–PN16</b>
End connection	<b>flanged (EN 1092-2) / flanged (EN 1092-2)</b>

## STANDARDS

Design	<b>EN 593, EN ISO 5752, EN 1074-2, ISO 5752, DIN 3202, BS 5155, ISO 5211</b>
--------	--

## APPROVALS & CERTIFICATIONS

- WRAS
- ISO 9001
- CE Mark

## COATINGS & LINING

- Fusion-bonded epoxy (FBE)

## APPLICATIONS

- Water distribution
- Raw water
- Treated effluent
- Irrigation
- Water treatment plants



**MATERIALS**

body	<b>Ductile Iron</b>	disc	<b>Stainless Steel</b>
seat	<b>EPDM</b>	stem	<b>AISI 420</b>

**FEATURES**

- The FBLC is a resilient-seated concentric butterfly valve with a pinless disc design that eliminates the corrosion and leakage path associated with conventional pin/stem connections
- The EPDM seat is moulded integrally into the body, providing a positive bubble-tight seal
- Fusion-bonded epoxy coating provides corrosion protection for buried or wet-well service
- Available with handwheel, gearbox or electric actuator

**PRESSURE-TEMPERATURE RATING**

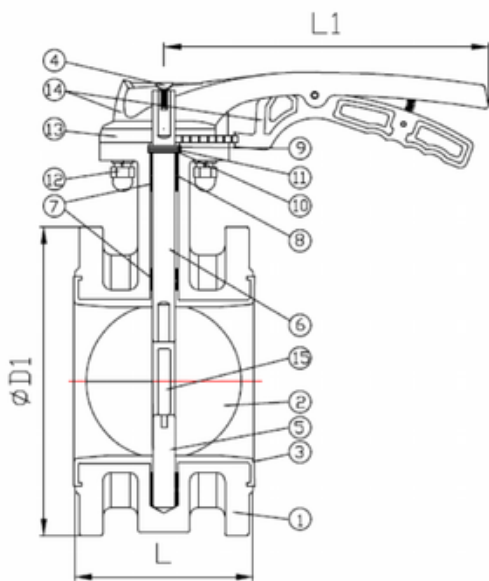
CLASS	TEMPERATURE	MAX PRESSURE
—	-10°C	10 bar
—	120°C	10 bar
—	-10°C	16 bar
—	120°C	16 bar

BUTTERFLY VALVE

# FBLC – Concentric Flange Butterfly Valve

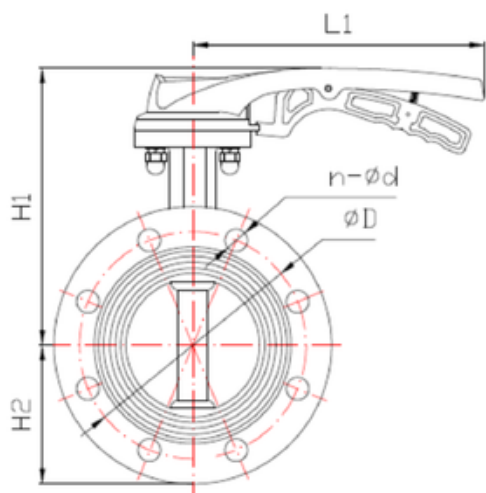
SECTION Technical drawing 1 of 3 REF EFC-374

## FBLC-Flange Butterfly Valve



### Parts List

No.	Part Name	Material	Standard
1	Body	DI	* - 6
2	Disc	Stainless Steel	\$,6,
3	Body Seat	Rubber	EPDM
4	Bolt	Stainless Steel	AISI 304
5	Lower Stem	Stainless Steel	AISI 420
6	Upper Stem	Stainless Steel	\$,6, 420
7	Bearing	Plastic	PTFE
8	O-Ring	Rubber	EPDM
9	Snap Spring	Steel	#50 Mn Steel
10	Washer	Stainless Steel	AISI 304
11	7KUXW&ROU	CS Zink plated	Commercial
12	%ROW	Stainless Steel	AISI 304
13	) ØMG' LF	Aluminum alloy	Commercial
14	/ HJU	Aluminum alloy	Commercial
15	7KUXW&WP	Stainless Steel	AISI 304



### Dimension

Unit: mm

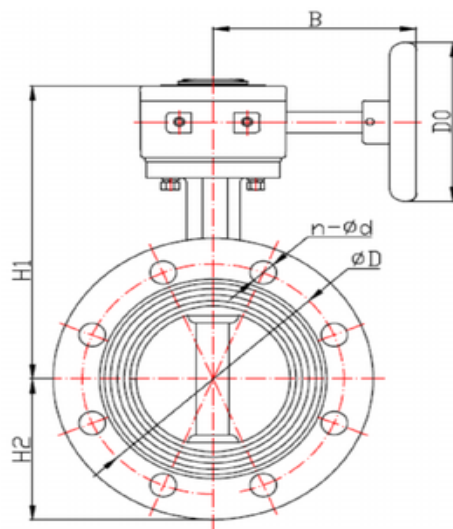
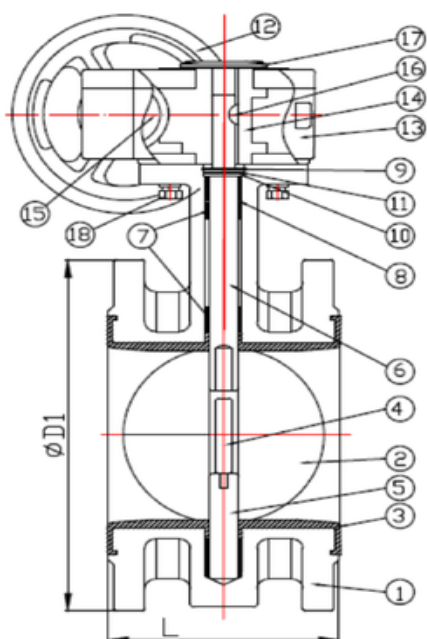
DN	ØD	ØD1	n-Ød	H1	H2	L	L1
50	125	165	4-Ø19	183	82.5	110	176
65	145	185	4-Ø19	196	93	114	176
80	160	200	8-Ø19	208	100	116	176
100	180	220	8-Ø19	232	110	129	215
125	210	250	8-Ø19	252	125	142	260
150	240	285	8-Ø23	272	143	142	260

BUTTERFLY VALVE

# FBLC – Concentric Flange Butterfly Valve

SECTION Technical drawing 2 of 3 REF EFC-374

## FBGC-Flange Butterfly Valve



### Parts List

No.	Part Name	Material	Standard
1	Body	DI	* -6
2	Disc	Stainless Steel	\$,6,
3	Body Seat	Rubber	EPDM
4	Thrust Stem	Stainless Steel	AISI 304
5	Lower Stem	Stainless Steel	AISI 420
6	Upper Stem	Stainless Steel	\$,6, 420
7	Bearing	Plastic	PTFE
8	O-Ring	Rubber	EPDM
9	Snap Spring	Steel	#50 Mn Steel
10	Washer	Stainless Steel	AISI 304
11	7KJW&RDU	Stainless Steel	AISI 304
12	Handwheel	CS	#45
13	Gear Shell	Aluminum alloy	Commercial
14	Gear	Ductile Iron	GJS450-10I
15	Gear Stem	CS	#45
16	Key	Stainless Steel	AISI 304
17	Indicator	Plastic	Commercial
18	Bolt	Stainless Steel	AISI 304

### Dimension PN16

Unit: mm

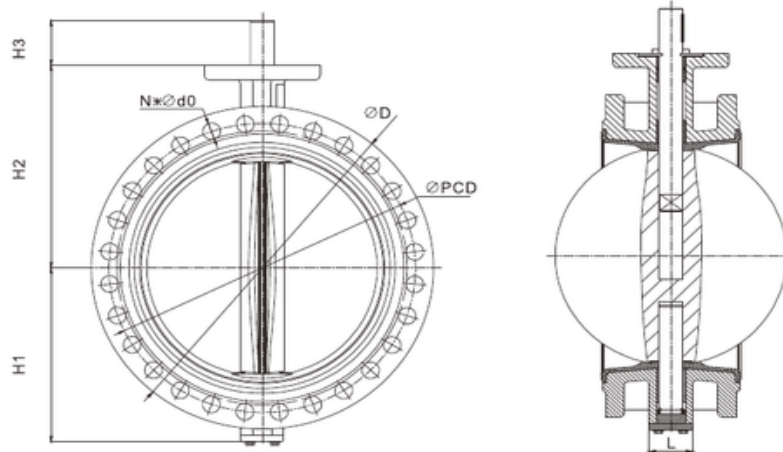
DN	ØD	ØD1	n-Ød	H1	H2	B	D0	L
50	125	165	4-Ø19	181	82.5	131	121	110
65	145	185	4-Ø19	194	93	131	121	114
80	160	200	8-Ø19	208	100	131	121	116
100	180	220	8-Ø19	228.5	110	143.5	160	129
125	210	250	8-Ø19	248.5	125	143.5	160	142
150	240	285	8-Ø23	268.5	143	143.5	160	142
200	295	340	12-Ø23	303	170	181	220	154
250	355	405	12-Ø28	342	203	181	220	167
300	410	460	12-Ø28	386.5	230	232.5	280	180
350	470	520	16-Ø28	421.5	270	232.5	280	192
400	525	580	16-Ø31	478	287	262	350	218
450	585	640	20-Ø31	496	320	262	350	224
500	650	715	20-Ø34	605	355	317	300	229
600	770	840	20-Ø37	662	420			

BUTTERFLY VALVE

# FBLC – Concentric Flange Butterfly Valve

SECTION Technical drawing 3 of 3 REF EFC-374

## Dimension

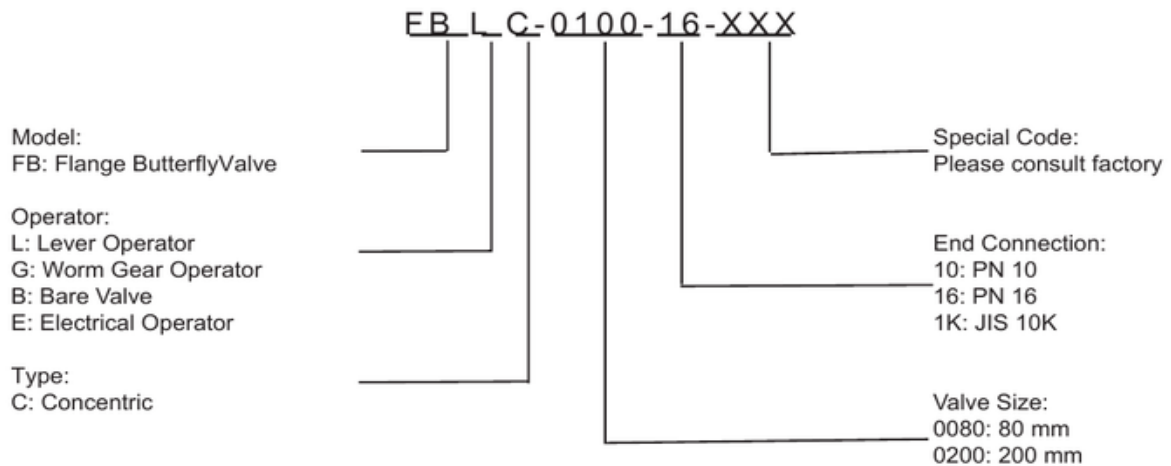


PN16

Unit: mm

DN	ØD	n-Ød0	H2	H1	PCD	H3
700	895	24-Ø37	660	480	840	100
800	1015	24-Ø40	720	580	950	100
900	1115	28-Ø40	785	625	1050	130
1000	1230	28-Ø43	900	660	1170	130
1200	1455	32-Ø49	917	780	1390	150

## Order Coding



BUTTERFLY VALVE

## FBLC – Concentric Flange Butterfly Valve

SECTION Dimensions per size REF EFC-374

SIZE	L	H1	H2	OD	OD1
DN50	110	183	82.5	125	165
DN65	114	196	93	145	185
DN80	116	208	100	160	200
DN100	129	232	110	180	220
DN125	142	252	125	210	250
DN150	142	272	143	240	285

All dimensions in millimetres unless stated otherwise. Values are nominal; tolerances confirmed at quote.