

R900 Main Valve – Reduced Bore

REF **EFC-373** ISSUED 11 Jun 2026

SPECIFICATIONS

Size	DN50–DN400
Pressure	PN16–PN25
End connection	flanged (EN 1092-2) / flanged (EN 1092-2)

STANDARDS

Design	EN 1074-5
--------	------------------

APPROVALS & CERTIFICATIONS

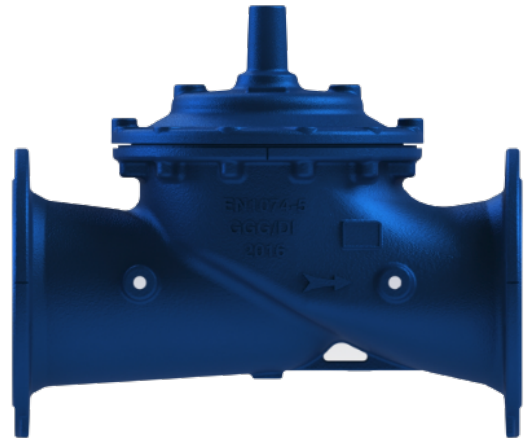
- ISO 9001

APPLICATIONS

- Surge protection
- Pump station protection
- Pipeline overpressure relief
- Water hammer mitigation

FEATURES

- The R900 is a reduced bore version of the A900 automatic control valve main body
- The reduced bore design allows a smaller valve to handle a given line size, reducing weight, face-to-face length and installed cost while maintaining full hydraulic control authority
- Used with the standard P-series pilot range for pressure reducing, sustaining, level and flow control duties where space or weight constraints apply



PRESSURE-TEMPERATURE RATING

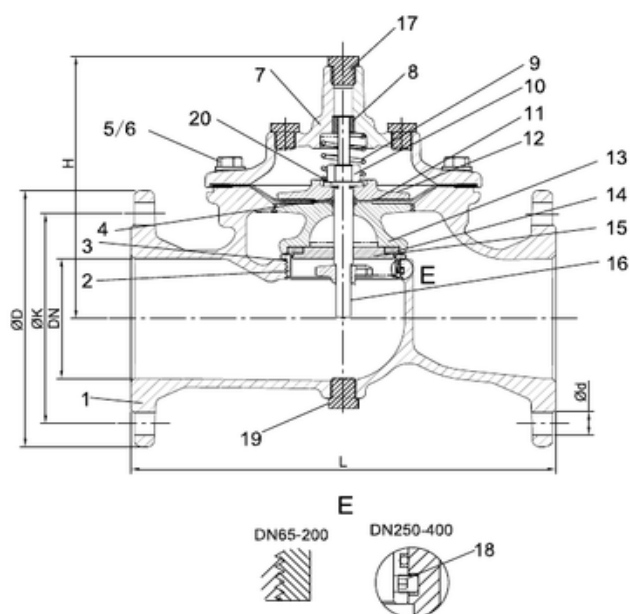
CLASS	TEMPERATURE	MAX PRESSURE
PN10	-10°C	10 bar
PN10	80°C	10 bar
PN16	-10°C	16 bar
PN16	80°C	16 bar
PN25	-10°C	25 bar
PN25	80°C	25 bar

CONTROL VALVE

R900 Main Valve – Reduced Bore

SECTION Technical drawing 1 of 3 REF EFC-373

R900-Main Valve DN80-DN400



Parts List

No.	Description	Material	Standard
1	Body	Ductile Iron	GJS 500-7
2	Seat	Stainless Steel	AISI 304/316
3	O-ring	Rubber	NBR
4	O-ring	Rubber	NBR
5	Bolt	Stainless Steel	A2/A4
6	Washer	Stainless Steel	A2/A4
7	Bonnet	Ductile Iron	GJS 500-7
8	Bush	Bronze	C61900
9	Spring	Stainless Steel	AISI 304/316
10	Caulking Nut	Stainless Steel	A4
11	Diaphragm	Nylon Reinforced Rubber	EPDM +Nylon Fabric
12	Fixing holder	Ductile Iron	GJS 500-7
13	Disc Holder	Ductile Iron	GJS 500-7
14	Seal	Rubber	EPDM
15	Seat Retainer	Stainless Steel	AISI 304/316
16	Stem	Stainless Steel	AISI 304/316
17	Plug	Stainless Steel	AISI 304/316
18	Screw	Stainless Steel	A2/A4
19	Plug	Stainless Steel	A2/A4
20	Washer	Stainless Steel	A2/A4

Dimension:

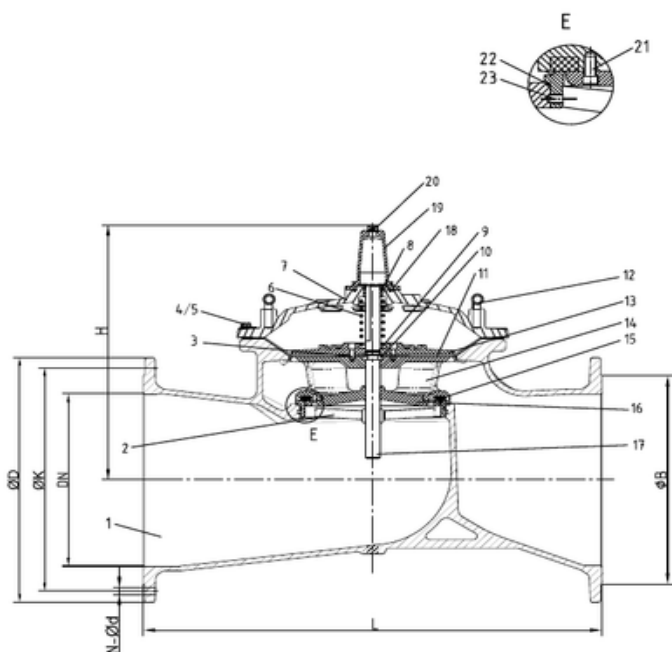
DN	Model Code	L	ØD			ØK			H	N-Ød			Unit: mm ØB		
			PN10	PN16	PN25	PN10	PN16	PN25		PN10	PN16	PN25	PN10	PN16	PN25
80	R900-0080	310	200	200	200	160	160	160	182	8-Ø19	8-Ø19	8-Ø19	Ø132	Ø132	Ø132
100	R900-0100	350	220	220	235	180	180	190	225	8-Ø19	8-Ø19	8-Ø23	Ø156	Ø156	Ø156
125	R900-0125	400	250	250	270	210	210	220	243	8-Ø19	8-Ø19	8-Ø28	Ø156	Ø156	Ø156
150	R900-0150	480	285	285	300	240	240	250	243	8-Ø23	8-Ø23	8-Ø28	Ø211	Ø211	Ø211
200	R900-0200	600	340	340	360	295	295	310	354	8-Ø23	12-Ø23	12-Ø28	Ø266	Ø266	Ø274
250	R900-0250	730	405	405	425	350	355	370	440	12-Ø23	12-Ø28	12-Ø31	Ø319	Ø319	Ø330
300	R900-0300	850	460	460	485	400	410	430	490	12-Ø23	12-Ø28	16-Ø31	Ø370	Ø370	Ø389
350	R900-0350	980	520	520	555	460	470	490	550	16-Ø23	16-Ø28	16-Ø34	Ø429	Ø429	Ø448
400	R900-0400	1100	710	580	580	620	515	525	550	16-Ø28	16-Ø31	16-Ø37	Ø480	Ø480	Ø503

CONTROL VALVE

R900 Main Valve – Reduced Bore

SECTION Technical drawing 2 of 3 REF EFC-373

R900-Main Valve DN450-DN1000



Parts List

No.	Description	Material	Standard
1	Body	Ductile Iron	GJS 500-7
2	Seat	Stainless Steel	AISI 304/316
3	Screw	Stainless Steel	A2/A4
4	Screw	Stainless Steel	A2/A4
5	Screw	Stainless Steel	A2/A4
6	Spring	Stainless Steel	AISI 304/316
7	Bonnet	Ductile Iron	GJS 500-7
8	Bush	Bronze	C61900
9	O-ring	Rubber	NBR
10	Fix Washer	Bronze	C61900
11	Diaphragm	Nylon Reinforced Rubber	EPDM +Nylon Fabric
12	Eye Bolts	Carbon Steel	1040
13	Fixing Holder	Ductile Iron	GJS 500-7
14	Disc Holder	Ductile Iron	GJS 500-7
15	Seal	Rubber	EPDM
16	Seal Retainer	Ductile Iron	GJS 500-7
17	Stem	Stainless Steel	AISI 304/316
18	O-ring	Rubber	NBR
19	Cap	Ductile Iron	GJS 500-7
20	Plug	Stainless Steel	AISI 304/316
21	Screw	Stainless Steel	A2/A4
22	O-ring	Rubber	NBR
23	Screw	Stainless Steel	A2/A4

Dimension:

Unit: mm

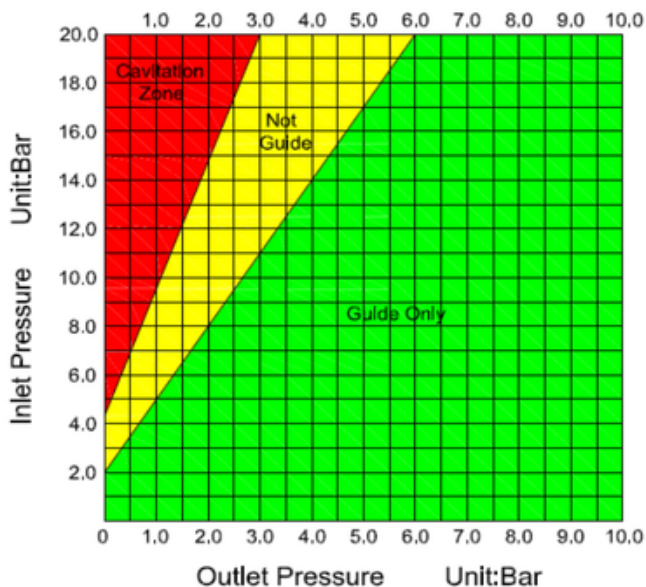
DN	Model Code	L	H	ØD			ØK			N-Ød			ØB		
				PN10	PN16	PN25	PN10	PN16	PN25	PN10	PN16	PN25	PN10	PN16	PN25
450	R900-0450	1200	720	640	640	670	565	585	600	20-Ø28	20-Ø31	20-Ø37	530	548	548
700	R900-0700	1650	910	910	910		840	840		24-Ø31	24-Ø37		682	720	
800	R900-0800	1850	920	1025	1025		950	950		24-Ø34	24-Ø40		901	901	
900	R900-0900	1850	1260	1125	1125		1050	1050		28-Ø34	28-Ø40		1001	1001	
1000	R900-1000	1850	1260	1125	1125		1050	1050		28-Ø34	28-Ø40		1001	1001	

CONTROL VALVE

R900 Main Valve – Reduced Bore

SECTION Technical drawing 3 of 3 REF EFC-373

Cavitation



Ordering Code

RXXX-0200-16-YYY

Model:

- R100: Remote Float Valve
- R200: Pressure Reducing Valve
- R300: Slow Control Check Valve
- R400: Flow Control Valve
- R500: Pressure Relief/Sustaining Valve
- R600: Solenoid Control Valve
- R70D: Pump Control Valve
- R800: Pressure Differential Valve
- R900: Main Valve

YYY: Special Code
Please Consult Factory

Pressure Rating:
10: PN10
16: PN16
25: PN25
A1: ANSI 125 F/F
A5: ANSI 150 R/F

Size:
0080: 80 mm
0200: 200 mm

CONTROL VALVE

R900 Main Valve – Reduced Bore

SECTION Dimensions per size REF EFC-373

SIZE	L	H	OD_PN10	OD_PN16	OD_PN25	OK_PN10	OK_PN16	OK_PN25	OB_PN10	OB_PN16	OB_PN25
DN80	310	182	200	200	200	160	160	160	132	132	132
DN100	350	225	220	220	235	180	180	190	156	156	156
DN125	400	243	250	250	270	210	210	220	156	156	156
DN150	480	243	285	285	300	240	240	250	211	211	211
DN200	600	354	340	340	360	295	295	310	266	266	274
DN250	730	440	405	405	425	350	355	370	319	319	330
DN300	850	490	460	460	485	400	410	430	370	370	389
DN350	980	550	520	520	555	460	470	490	429	429	448
DN400	1100	550	710	580	580	620	515	525	480	480	503
DN450	1200	720	640	640	670	565	585	600	530	548	548
DN700	1650	910	910	910	—	840	840	—	682	720	—
DN800	1850	920	1025	1025	—	950	950	—	901	901	—
DN900	1850	1260	1125	1125	—	1050	1050	—	1001	1001	—
DN1000	1850	1260	1125	1125	—	1050	1050	—	1001	1001	—

All dimensions in millimetres unless stated otherwise. Values are nominal; tolerances confirmed at quote.