

CONTROL VALVE

# D200 Direct Membrane Pressure Reducing Valve

REF **EFC-367** ISSUED 15 Jun 2026

## SPECIFICATIONS

Size	<b>DN15–DN100</b>
Pressure	<b>PN16–PN16</b>
End connection	<b>threaded (BSP) / flanged (EN 1092-2)</b>

## STANDARDS

Design	<b>EN 1074-5</b>
--------	------------------

## APPROVALS & CERTIFICATIONS

- WRAS
- ISO 9001

## APPLICATIONS

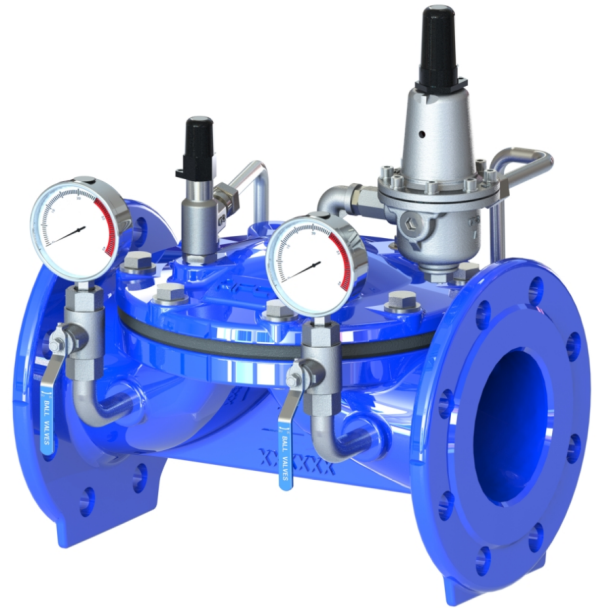
- Building services PRV
- Small distribution connections
- Irrigation
- Low-flow pressure control

## FEATURES

- The D200 is a direct-acting pressure reducing valve using a spring-loaded diaphragm to maintain constant downstream pressure without a separate pilot circuit
- The compact, self-contained design has fewer components than a pilot-operated PRV and is easier to install and service
- Suitable for small diameter applications, building services and low-flow duties where the accuracy of a full pilot-operated A200 is not required

## PRESSURE-TEMPERATURE RATING

CLASS	TEMPERATURE	MAX PRESSURE
PN16	-10°C	16 bar
PN16	80°C	16 bar

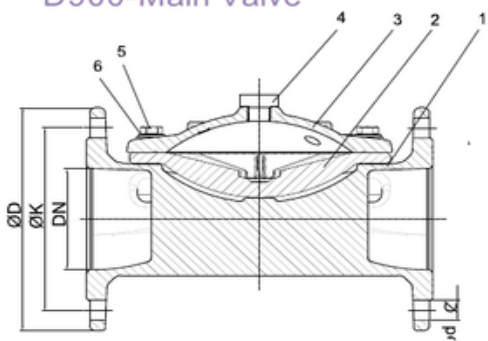


CONTROL VALVE

# D200 Direct Membrane Pressure Reducing Valve

SECTION Technical drawing 1 of 2 REF EFC-367

## D900-Main Valve



### Parts List & Material

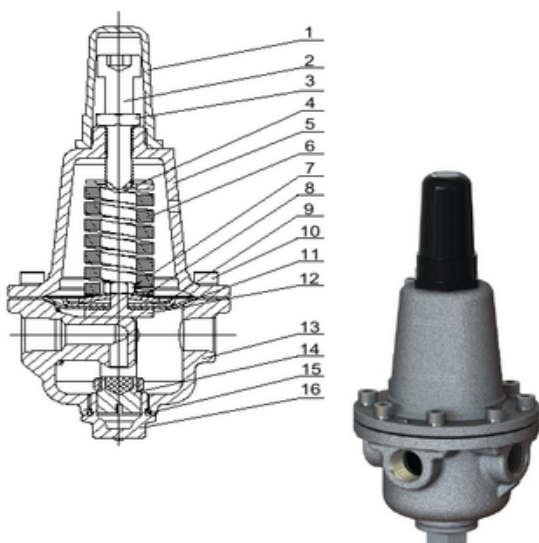
No.	Part Name	Material	Standard
1	Body	Ductile Iron	EN GJS500-7
2	Membrane	Nylon Reinforced Rubber	EPDM + Nylon
3	Bonnet	Ductile Iron	EN GJS 500-7
4	Plug	Stainless Steel	AISI 304
5	Bolt	Stainless Steel	AISI 304
6	Washer	Stainless Steel	AISI 304

### Dimension:

Unit: mm

DN	Model No	L	ØD		ØK		N-Ød		H
			PN10	PN16	PN10	PN16	PN10	PN16	
50	D900-0050	205	165		125		4-Ø19		82.5
80	D900-0080	295	200		160		8-Ø19		100
100	D900-0100	320	220		180		8-Ø19		115
150	D900-0150	425	285		240		8-Ø19		170

## P200-Reducing Pilot



### Part list & Material

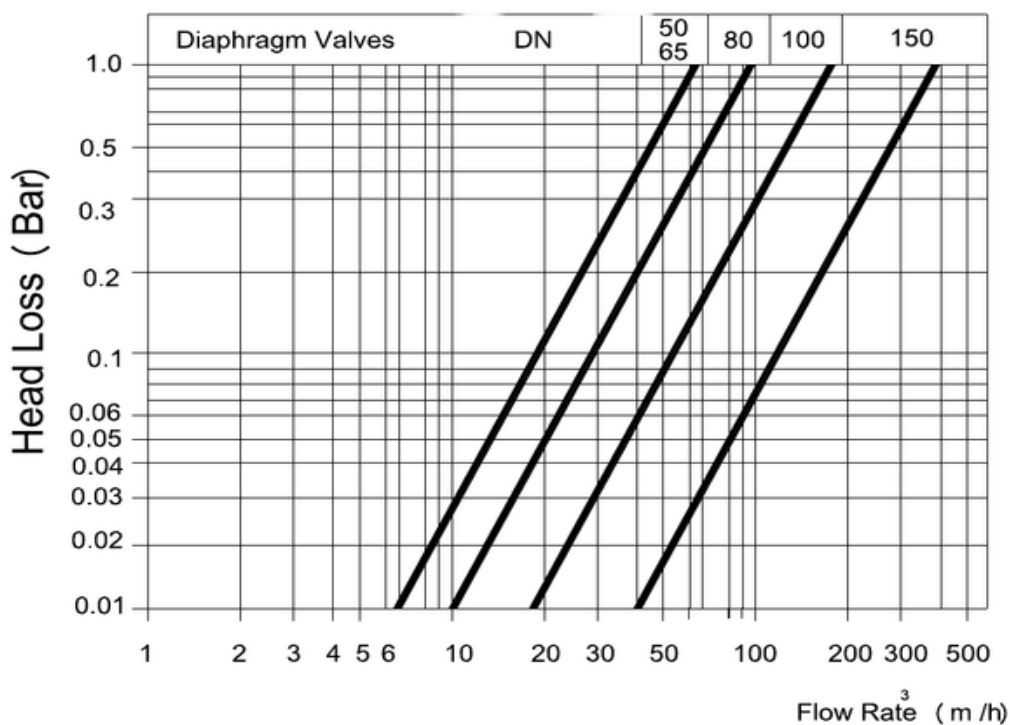
No.	Description	Material	Standard
1	Cap	Plastic	ABS
2	Adjusting Screw	Stainless Steel	AISI 304
3	Jam Nut	Stainless Steel	A2
4	Spring table	Stainless Steel	AISI 304
5	Bonnet	Stainless Steel	AISI 304
6	Spring	Spring Steel	SiCrV
7	Nut	Stainless Steel	A2
8	Spring table	Spring Steel	Mn-steel+Ni Plated
9	Fixing Holder	Stainless Steel	AISI 304
10	Screw	Stainless Steel	A2
11	Diaphragm	Nylon Reinforced Rubber	EPDM+Nylon
12	Yoke	Stainless Steel	AISI 304
13	Body	Stainless Steel	AISI 304
14	Disc	Stainless Steel+Rubber	AISI 304+EPDM
15	O-Ring	Rubber	NBR
16	Plug	Stainless Steel	AISI 304

CONTROL VALVE

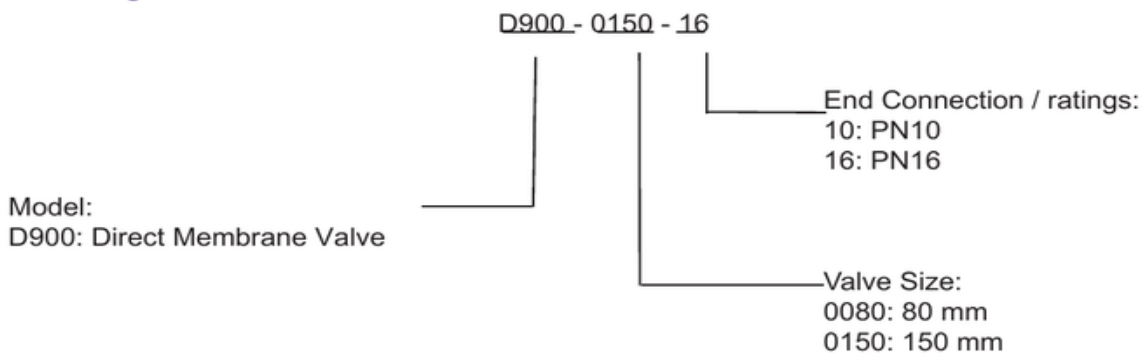
# D200 Direct Membrane Pressure Reducing Valve

SECTION Technical drawing 2 of 2 REF EFC-367

Head Loss Curve



Ordering Code:



CONTROL VALVE

## D200 Direct Membrane Pressure Reducing Valve

SECTION Dimensions per size REF EFC-367

SIZE	L	ØD	ØK	H
<b>DN50</b>	205	165	125	82.5
<b>DN80</b>	295	200	160	100
<b>DN100</b>	320	220	180	115
<b>DN150</b>	425	285	240	170

All dimensions in millimetres unless stated otherwise. Values are nominal; tolerances confirmed at quote.