

A900 Automatic Control Valve – Threaded

REF **EFC-366** ISSUED 15 Jun 2026

SPECIFICATIONS

Size	DN15–DN50
Pressure	PN16–PN16
End connection	threaded (BSP)

STANDARDS

Design	EN 1074-5
--------	------------------

APPROVALS & CERTIFICATIONS

- WRAS
- ISO 9001

APPLICATIONS

- Building services
- Irrigation
- Small diameter pressure control
- Commercial installations

FEATURES

- The A900 threaded is the small-diameter version of the A900 main valve body, with threaded BSP end connections for DN15–DN50 installations



PRESSURE-TEMPERATURE RATING

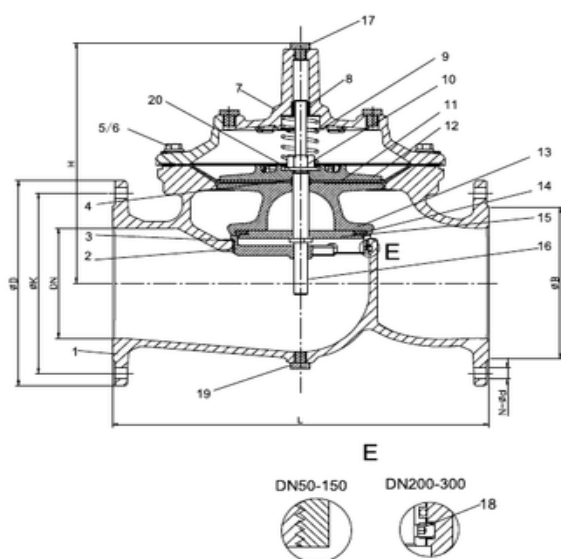
CLASS	TEMPERATURE	MAX PRESSURE
PN25	-10°C	25 bar
PN25	80°C	25 bar
PN16	-10°C	16 bar
PN16	80°C	16 bar
PN10	-10°C	10 bar
PN10	80°C	10 bar

CONTROL VALVE

A900 Automatic Control Valve – Threaded

SECTION Technical drawing 1 of 2 REF EFC-366

A900-Main Valve DN50-DN350



Parts List

No.	Description	Material	Standard
1	Body	Ductile Iron	GJS 500-7
2	Seat	Stainless Steel	AISI 304/316
3	O-ring	Rubber	NBR
4	O-ring	Rubber	NBR
5	Bolt	Stainless Steel	A2/A4
6	Washer	Stainless Steel	A2/A4
7	Bonnet	Ductile Iron	GJS 500-7
8	Bush	Bronze	C61900
9	Spring	Stainless Steel	AISI 304/316
10	Caulking Nut	Stainless Steel	A4
11	Diaphragm	Nylon Reinforced Rubber	EPDM +Nylon Fabric
12	Fixing holder	Ductile Iron	GJS 500-7
13	Disc Holder	Ductile Iron	GJS 500-7
14	Seal	Rubber	EPDM
15	Seat Retainer	Stainless Steel	AISI 304/316
16	Stem	Stainless Steel	AISI 304/316
17	Plug	Stainless Steel	AISI 304/316
18	Screw	Stainless Steel	A2/A4
19	Plug	Stainless Steel	A2/A4
20	Washer	Stainless Steel	A2/A4

Dimension:

DN	Model Code	L	ØD			ØK			H	N-Ød			ØB		
			PN10	PN16	PN25	PN10	PN16	PN25		PN10	PN16	PN25	PN10	PN16	PN25
50	A900-0050	230	165	165	165	125	125	125	177	4-Ø19	4-Ø19	4-Ø19	Ø99	Ø99	Ø99
65	A900-0065	290	185	185	185	145	145	145	202	4-Ø19	4-Ø19	8-Ø19	Ø118	Ø118	Ø118
80	A900-0080	310	200	200	200	160	160	160	219	8-Ø19	8-Ø19	8-Ø19	Ø132	Ø132	Ø132
100	A900-0100	350	220	220	235	180	180	190	243	8-Ø19	8-Ø19	8-Ø23	Ø156	Ø156	Ø156
*125	A900-0125	400	250	250	270	210	210	220	243	8-Ø19	8-Ø19	8-Ø28	Ø156	Ø156	Ø156
150	A900-0150	480	285	285	300	240	240	250	333	8-Ø23	8-Ø23	8-Ø28	Ø211	Ø211	Ø211
200	A900-0200	600	340	340	360	295	295	310	428	8-Ø23	12-Ø23	12-Ø28	Ø266	Ø266	Ø274
250	A900-0250	730	405	405	425	350	355	370	478	12-Ø23	12-Ø28	12-Ø31	Ø319	Ø319	Ø330
300	A900-0300	850	460	460	485	400	410	430	538	12-Ø23	12-Ø28	16-Ø31	Ø370	Ø370	Ø389
*350	A900-0350	980	520	520	555	460	470	490	550	16-Ø23	16-Ø28	16-Ø34	Ø429	Ø429	Ø448

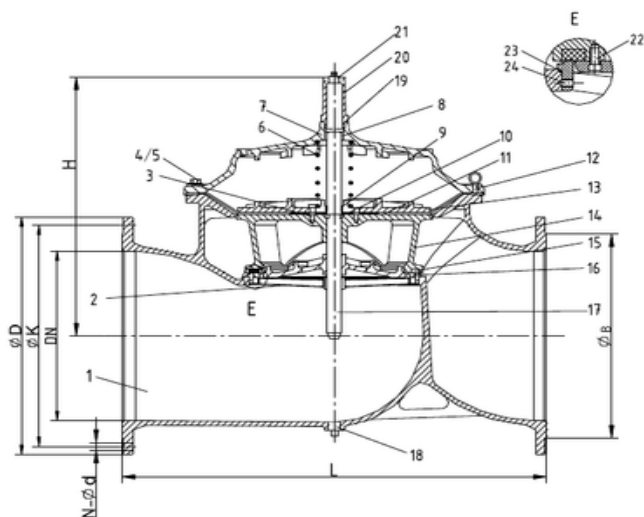
NOTE: 1. *DN125/350 use same internal as DN100/300
2. AISI 304 factory standard material. consult factory for AISI 316 material.

CONTROL VALVE

A900 Automatic Control Valve – Threaded

SECTION Technical drawing 2 of 2 REF EFC-366

A900-Main Valve DN400-DN800



Parts List

No.	Description	Material	Standard
1	Body	Ductile Iron	GJS 500-7
2	Seat	Stainless Steel	AISI 304/316
3	Screw	Stainless Steel	A2/A4
4	Screw	Stainless Steel	A2/A4
5	Screw	Stainless Steel	A2/A4
6	Spring	Stainless Steel	AISI 304/316
7	Bonnet	Ductile Iron	GJS 500-7
8	Bush	Bronze	C61900
9	O-ring	Rubber	NBR
10	Fix Washer	Bronze	C61900
11	Diaphragm	Nylon Reinforced Rubber	EPDM +Nylon Fabric
12	Eye Bolts	Carbon Steel	1040
13	Fixing Holder	Ductile Iron	GJS 500-7
14	Disc Holder	Ductile Iron	GJS 500-7
15	Seal	Rubber	EPDM
16	Seal Retainer	Ductile Iron	GJS 500-7
17	Stem	Stainless Steel	AISI 304/316
18	Plug	Stainless Steel	AISI 304/316
19	O-ring	Rubber	NBR
20	Cap	Ductile Iron	GJS 500-7
21	Plug	Stainless Steel	AISI 304/316
22	Screw	Stainless Steel	A2/A4
23	O-ring	Rubber	NBR
24	Screw	Stainless Steel	A2/A4

Dimension:

Unit: mm

DN	Model Code	L	H	ØD			ØK			N-Ød			ØB		
				PN10	PN16	PN25	PN10	PN16	PN25	PN10	PN16	PN25	PN10	PN16	PN25
400	A900-0400	1100	710	580	580	620	515	525	550	16-Ø28	16-Ø31	16-Ø37	480	480	503
*450	A900-0450	1200	720	640	640	670	565	585	600	20-Ø28	20-Ø31	20-Ø37	530	548	548
500	A900-0500	1250	822	715	715	730	620	650	660	20-Ø28	20-Ø34	20-Ø37	582	609	609
600	A900-0600	1450	885	840	840	845	725	770	770	20-Ø31	20-Ø37	20-Ø40	682	720	720
700	A900-0700	1650	910	910	910	960	840	840	875	24-Ø31	24-Ø37	24-Ø43	682	720	720
800	A900-0800	1850	1260	1025	1025	1085	950	950	990	24-Ø34	24-Ø40	24-Ø49	901	901	928
*900	A900-0900	1850	1260	1125	1125		1050	1050		28-Ø34	28-Ø40		1001	1001	
*1000	A900-1000	1850	1260	1255	1255		1160	1170		28-Ø37	28-Ø43		1112	1112	

NOTE: 1. *means reduced bore

CONTROL VALVE

A900 Automatic Control Valve – Threaded

SECTION Dimensions per size REF EFC-366

SIZE	L	H	OD_PN10	OD_PN16	OD_PN25	OK_PN10	OK_PN16	OK_PN25
DN50	230	177	165	165	165	125	125	125
DN65	290	202	185	185	185	145	145	145
DN80	310	219	200	200	200	160	160	160
DN100	350	243	220	220	235	180	180	190
DN125	400	243	250	250	270	210	210	220
DN150	480	333	285	285	300	240	240	250
DN200	600	428	340	340	360	295	295	310
DN250	730	478	405	405	425	350	355	370
DN300	850	538	460	460	485	400	410	430
DN350	980	550	520	520	555	460	470	490
DN400	1100	710	580	580	620	515	525	550
DN450	1200	720	640	640	670	565	585	600
DN500	1250	822	715	715	730	620	650	660
DN600	1450	885	840	840	845	725	770	770
DN700	1650	910	910	910	960	840	840	875
DN800	1850	1260	1025	1025	1085	950	950	990

All dimensions in millimetres unless stated otherwise. Values are nominal; tolerances confirmed at quote.