

A6DV Dual Solenoid Control Valve

REF **EFC-363** ISSUED 11 Jun 2026

BUILT ON THE A900 MAIN VALVE BODY

All A900 configurations share the same hydraulically operated body. An existing body can be repiloted in the field for a different duty by swapping the pilot assembly, without body replacement.

SPECIFICATIONS

Size	DN50–DN300
Pressure	PN16–PN16
End connection	flanged (EN 1092-2)

STANDARDS

Design	EN 1074-5
--------	------------------

APPROVALS & CERTIFICATIONS

- WRAS
- ISO 9001

APPLICATIONS

- Irrigation scheduling
- Timed reservoir fill
- SCADA-controlled isolation
- Process water supply

FEATURES

- The A6DV features two independent solenoid pilots controlling the open and close functions separately
- This allows opening and closing rates to be adjusted independently via needle valves in each solenoid circuit, providing more precise control of valve stroke rate than a single solenoid design
- Used where slow opening but fast closing, or vice versa, is required to match specific system hydraulics

PILOT ASSEMBLY & ACCESSORIES

COMPATIBLE ACCESSORIES

Needle Valve	Adjusts response speed and damps oscillation in the pilot circuit
On-Off Accelerator	Speeds up valve stroke in solenoid-controlled configurations



OTHER CONFIGURATIONS ON THIS BODY

- A100 Modulating Float Control Valve
- A203 Pressure Reducing with Check Valve
- A400 Flow Control Valve
- A600 Solenoid Control Valve
- A900 Automatic Control Valve (Main Valve)
- A10B Bi-Level Float Control Valve
- A204 Pressure Reducing Valve with Flow Limiter
- A206 Pressure Reducing Solenoid Control Valve
- A2A5 Surge Anticipating Control Valve
- A7MD Pump Control Valve – Passive Protection
- A900 Automatic Control Valve – Threaded
- A200 Pressure Reducing Valve
- A300 Slow Control Check Valve
- A500 Pressure Relief / Sustaining Valve
- A76D Pump Control Valve – Double Chamber
- A10A Altitude Control Valve
- A14A Altitude with Rate of Flow Control Valve
- A205 Pressure Sustaining and Reducing Valve
- A20B Pressure Reducing Valve – High Flow
- A506 Pressure Sustaining Valve with Solenoid Control
- A800 Pressure Differential Valve
- R900 Main Valve – Reduced Bore

PRESSURE-TEMPERATURE RATING

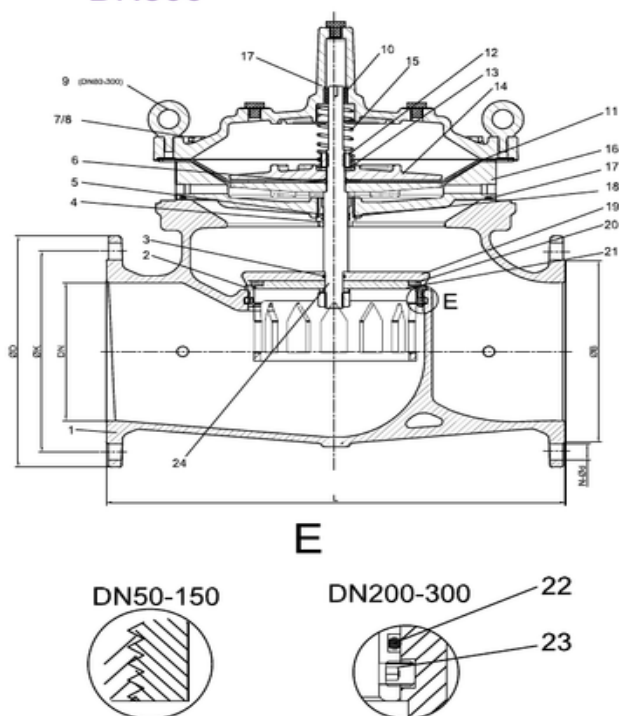
CLASS	TEMPERATURE	MAX PRESSURE
PN10	-10°C	10 bar
PN10	80°C	10 bar
PN16	-10°C	16 bar
PN16	80°C	16 bar
PN25	-10°C	25 bar
PN25	80°C	25 bar

CONTROL VALVE

A6DV Dual Solenoid Control Valve

SECTION Technical drawing 1 of 3 REF EFC-363

A9DV-Main
Valve DN50-
DN300



Parts List

No.	Description	Material	Standard
1	Body	Ductile Iron	GJS 450-12
2	Seat	Stainless Steel	AISI 304
3	O-ring	Rubber	NBR
4	Bush	Bronze	C61900
5	O-Ring	Rubber	NBR
6	O-Ring	Rubber	NBR
7	Bolt	Stainless Steel	A2
8	Washer	Stainless Steel	A2
9	O-Rings	Rubber	NBR
10	Bush	Bronze	C61900
11	Diaphragm	Nylon-Reinforce Rubber	EPDM +Nylon Fabric
12	Chulking Nut	Stainless Steel	A4
13	Wahser	Stainless Steel	A2
14	Fix holder	Ductile Iron	GJS 450-12
15	Spring	Stainless Steel	AISI 304
16	Middle body	Ductile Iron	GJS 450-12
17	O-Ring	Rubber	NBR
18	O-Ring	Rubber	NBR
19	Disc Holder	Ductile Iron	GJS 450-12
20	Seal	Rubber	EPDM
21	Seat Retainer	Stainless Steel	AISI 304
22	O-Ring	Rubber	NBR
23	Screw	Stainless Steel	A2
24	Stem Vport	Stainless Steel	AISI 304

Dimension:

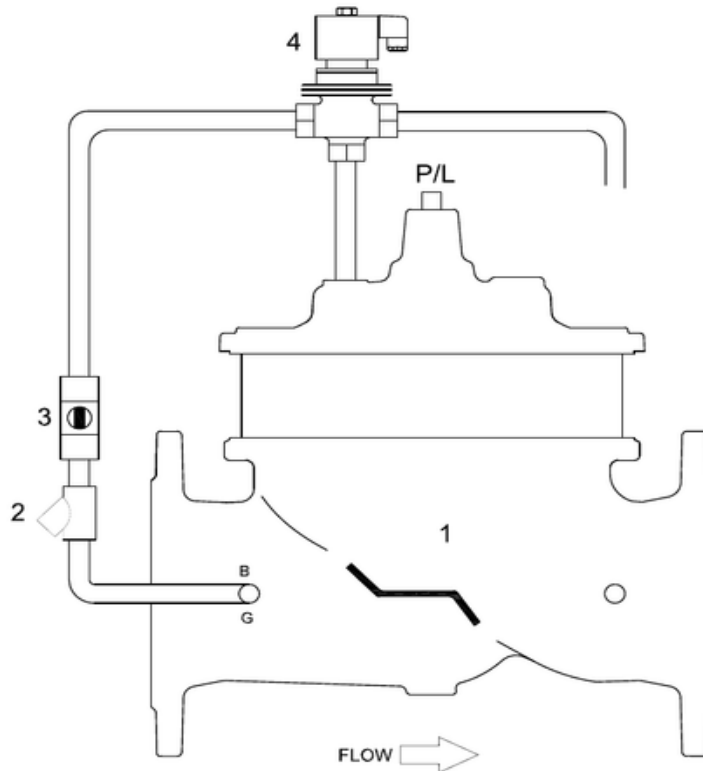
DN	Model Code	L	ØD			ØK			H	N-Ød			Unit: mm ØB		
			PN10	PN16	TE	PN10	PN16	TE		PN10	PN16	TE	PN10	PN16	TE
50	A900-0050	230	165	165	165	125	125	114	169	4-Ø19	4-Ø19	4-Ø18	Ø99	Ø99	Ø90
65	A900-0065	290	185	185	185	145	145	127	189	4-Ø19	4-Ø19	4-Ø18	Ø118	Ø118	Ø103
80	A900-0080	310	200	200	200	160	160	146	209	8-Ø19	8-Ø19	4-Ø18	Ø132	Ø132	Ø122
100	A900-0100	350	220	220	220	180	180	178	244	8-Ø19	8-Ø19	4-Ø18	Ø156	Ø156	Ø154
150	A900-0150	480	285	285	285	240	240	235	368	8-Ø23	8-Ø23	8-Ø18	Ø211	Ø211	Ø211
200	A900-0200	600	340	340	340	295	295	292	442	8-Ø23	12-Ø23	8-Ø18	Ø266	Ø266	Ø268
250	A900-0250	730	405	405	405	350	355	356	526	12-Ø23	12-Ø28	8-Ø22	Ø319	Ø319	Ø328
300	A900-0300	850	460	460	460	400	410	406	586	12-Ø23	12-Ø28	12-Ø26	Ø370	Ø370	Ø378

CONTROL VALVE

A6DV Dual Solenoid Control Valve

SECTION Technical drawing 2 of 3 REF EFC-363

A6DV-Assembling



Note:

1. Main valve Test:

1.1 Sealing test

Low pressure: 0.5bar;

High pressure: 1.1xPN bar;

1.2 Shell test

1.5xPN bar

2. Flange dimension according to order;

3. If need optional material or others, consult factory.

4. Solenoid control pilot could be DC24V AC 220V etc;
NC/NO.

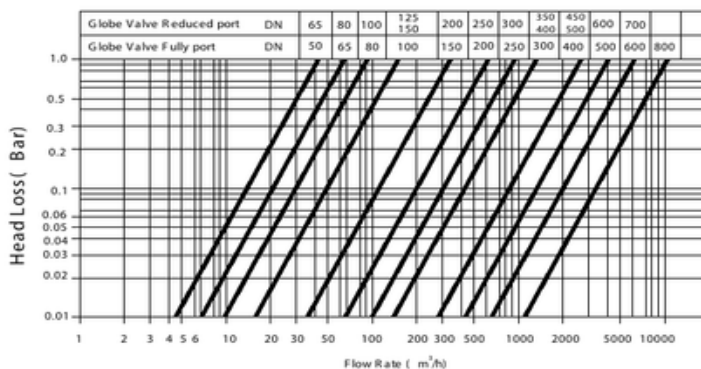
NO	Part Name	Material	Standard
1	Main Valve	Ductile Iron	GJS 500-7
2	Y-Type Filter	Stainless Steel	SUS304
3	Ball Valve	Stainless Steel	SUS304
4	Two - position three - way solenoid valve.	Commercial	Burkert-0330
T	Tube	Stainless Steel	SUS304

CONTROL VALVE

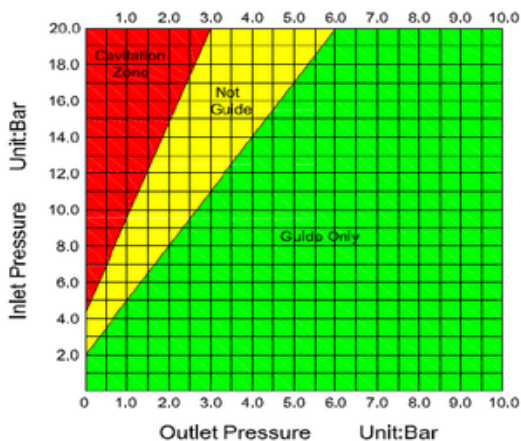
A6DV Dual Solenoid Control Valve

SECTION Technical drawing 3 of 3 REF EFC-363

Head Loss Curve

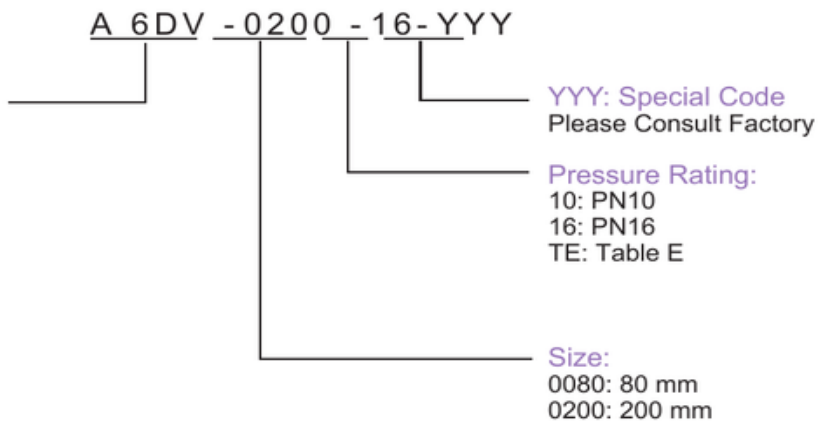


Cavitation



Ordering Code

Model:
A6DV: Solenoid control valve with double chamber and Vport



CONTROL VALVE

A6DV Dual Solenoid Control Valve

SECTION Dimensions per size REF EFC-363

SIZE	L	H	OD_PN10	OD_PN16	OD_TE	OK_PN10	OK_PN16	OK_TE	OB_PN10	OB_PN16	OB_TE
DN50	230	169	165	165	165	125	125	114	99	99	90
DN65	290	189	185	185	185	145	145	127	118	118	103
DN80	310	209	200	200	200	160	160	146	132	132	122
DN100	350	244	220	220	220	180	180	178	156	156	154
DN150	480	368	285	285	285	240	240	235	211	211	211
DN200	600	442	340	340	340	295	295	292	266	266	268
DN250	730	526	405	405	405	350	355	356	319	319	328
DN300	850	586	460	460	460	400	410	406	370	370	378

All dimensions in millimetres unless stated otherwise. Values are nominal; tolerances confirmed at quote.