

# A20B Pressure Reducing Valve – High Flow

REF **EFC-360** ISSUED 11 Jun 2026

## BUILT ON THE A900 MAIN VALVE BODY

All A900 configurations share the same hydraulically operated body. An existing body can be repiloted in the field for a different duty by swapping the pilot assembly, without body replacement.

## SPECIFICATIONS

Size	DN200–DN600
Pressure	PN16–PN25
End connection	flanged (EN 1092-2) / flanged (EN 1092-2)

## STANDARDS

Design	EN 1074-5
--------	-----------

## APPROVALS & CERTIFICATIONS

- WRAS
- ISO 9001

## COATINGS & LINING

- Rubber lined

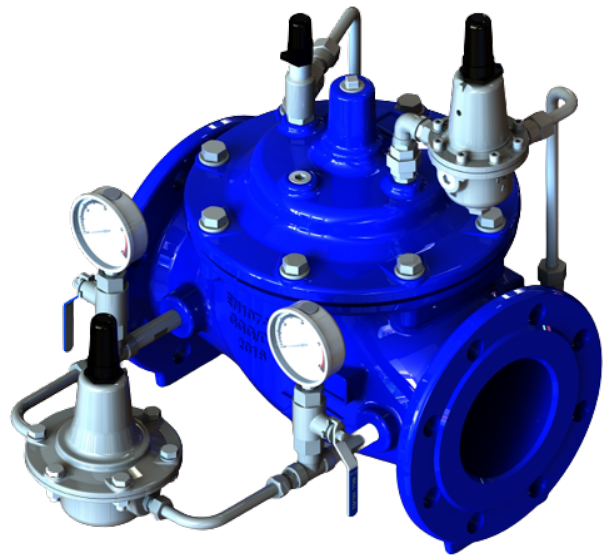
## APPLICATIONS

- Trunk main pressure management
- Bulk supply stations
- Large distribution zones

## FEATURES

- The A20B is a high-flow pressure reducing valve for trunk main and bulk supply duty where the A200 body is undersized for the required flow capacity
- The enlarged body and flow passages accommodate higher flow rates at low headloss, making it suitable for primary pressure management stations serving large distribution zones

## PILOT ASSEMBLY & ACCESSORIES



**PILOT ASSEMBLY**

**P200 Reducing Pilot** Reducing pilot — maintains downstream pressure at the pre-set value

**COMPATIBLE ACCESSORIES**

**Needle Valve** Adjusts response speed and damps oscillation in the pilot circuit

**OTHER CONFIGURATIONS ON THIS BODY**

- A100 Modulating Float Control Valve
- A203 Pressure Reducing with Check Valve
- A400 Flow Control Valve
- A600 Solenoid Control Valve
- A900 Automatic Control Valve (Main Valve)
- A10B Bi-Level Float Control Valve
- A204 Pressure Reducing Valve with Flow Limiter
- A206 Pressure Reducing Solenoid Control Valve
- A506 Pressure Sustaining Valve with Solenoid Control
- A7MD Pump Control Valve – Passive Protection
- A900 Automatic Control Valve – Threaded
- A200 Pressure Reducing Valve
- A300 Slow Control Check Valve
- A500 Pressure Relief / Sustaining Valve
- A76D Pump Control Valve – Double Chamber
- A10A Altitude Control Valve
- A14A Altitude with Rate of Flow Control Valve
- A205 Pressure Sustaining and Reducing Valve
- A2A5 Surge Anticipating Control Valve
- A6DV Dual Solenoid Control Valve
- A800 Pressure Differential Valve
- R900 Main Valve – Reduced Bore

**PRESSURE-TEMPERATURE RATING**

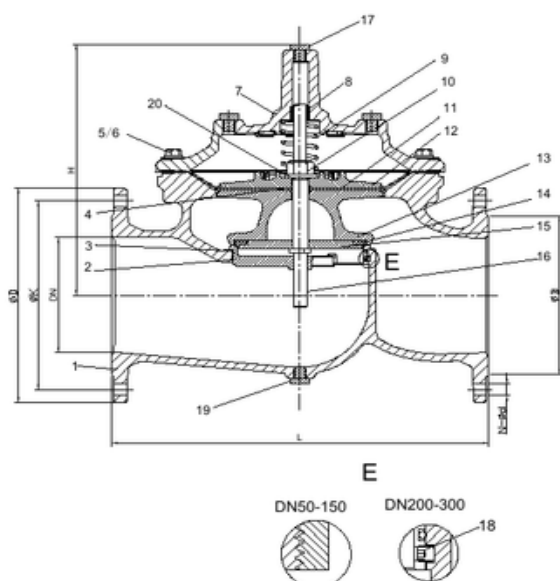
CLASS	TEMPERATURE	MAX PRESSURE
PN10	-10°C	10 bar
PN10	80°C	10 bar
PN16	-10°C	16 bar
PN16	80°C	16 bar
PN25	-10°C	25 bar
PN25	80°C	25 bar

CONTROL VALVE

# A20B Pressure Reducing Valve – High Flow

SECTION Technical drawing 1 of 3 REF EFC-360

## A900-Main Valve DN50-DN200



### Parts List

No.	Description	Material	Standard
1	Body	Ductlie Iron	GJS 500-7
2	Seat	Stainless Steel	AISI 304/316
3	O-ring	Rubber	NBR
4	O-ring	Rubber	NBR
5	Bolt	Stainless Steel	A2/A4
6	Washer	Stainless Steel	A2/A4
7	Bonnet	Ductlie Iron	GJS 500-7
8	Bush	Bronze	C61900
9	Spring	Stainless Steel	AISI 304/316
10	Caulking Nut	Stainless Steel	A4
11	Diaphragm	Nylon Reinforced Rubber	EPDM +Nylon Fabric
12	Fixing holder	Ductlie Iron	GJS 500-7
13	Disc Holder	Ductlie Iron	GJS 500-7
14	Seal	Rubber	EPDM
15	Seat Retainer	Stainless Steel	AISI 304/316
16	Stem	Stainless Steel	AISI 304/316
17	Plug	Stainless Steel	AISI 304/316
18	Screw	Stainless Steel	A2/A4
19	Plug	Stainless Steel	A2/A4
20	Washer	Stainless Steel	A2/A4

### Dimension:

DN	Model Code	L	ØD			ØK			H	N-Ød			Unit: mm ØB		
			PN10	PN16	PN25	PN10	PN16	PN25		PN10	PN16	PN25	PN10	PN16	PN25
50	A900-0050	230	165	165	165	125	125	125	177	4-Ø19	4-Ø19	4-Ø19	Ø99	Ø99	Ø99
65	A900-0065	290	185	185	185	145	145	145	202	4-Ø19	4-Ø19	8-Ø19	Ø118	Ø118	Ø118
80	A900-0080	310	200	200	200	160	160	160	219	8-Ø19	8-Ø19	8-Ø19	Ø132	Ø132	Ø132
100	A900-0100	350	220	220	235	180	180	190	243	8-Ø19	8-Ø19	8-Ø23	Ø156	Ø156	Ø156
*125	A900-0125	400	250	250	270	210	210	220	243	8-Ø19	8-Ø19	8-Ø28	Ø156	Ø156	Ø156
150	A900-0150	480	285	285	300	240	240	250	333	8-Ø23	8-Ø23	8-Ø28	Ø211	Ø211	Ø211
200	A900-0200	600	340	340	360	295	295	310	428	8-Ø23	12-Ø23	12-Ø28	Ø266	Ø266	Ø274

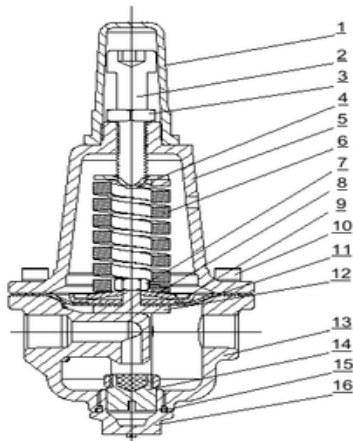
NOTE: 1. \*DN125/350 use same internal as DN100/300

CONTROL VALVE

# A20B Pressure Reducing Valve – High Flow

SECTION Technical drawing 2 of 3 REF EFC-360

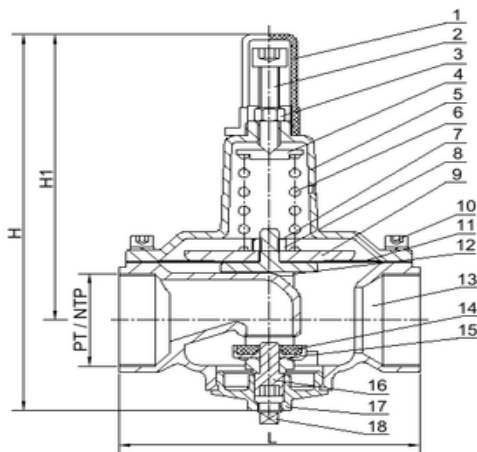
## P200-Reducing Pilot



### Part list & Material

No.	Description	Material	Standard
1	Cap	Plastic	ABS
2	Adjusting Screw	Stainless Steel	AISI 304
3	Jam Nut	Stainless Steel	A2
4	Spring table	Stainless Steel	AISI 304
5	Bonnet	Stainless Steel	AISI 304
6	Spring	Spring Steel	SiCrV
7	Nut	Stainless Steel	A2
8	Spring table	Spring Steel	Mn-steel+Ni Plated
9	Fixing Holder	Stainless Steel	AISI 304
10	Screw	Stainless Steel	A2
11	Diaphragm	Nylon Reinforced Rubber	EPDM+Nylon
12	Yoke	Stainless Steel	AISI 304
13	Body	Stainless Steel	AISI 304
14	Disc	Stainless Steel+Rubber	AISI 304+EPDM
15	O-Ring	Rubber	NBR
16	Plug	Stainless Steel	AISI 304

## D200-Bypass Pilot



### Parts List & Material

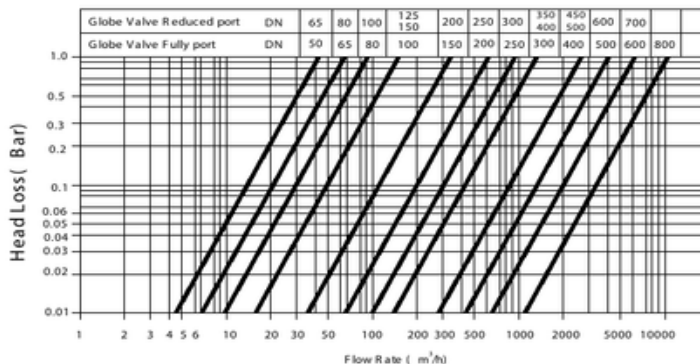
No.	Description	Material	Standard
1	Cap	Plastic	ABS
2	Adjusting Screw	Stainless Steel	A2
3	Jam Nut	Stainless Steel	A2
4	Spring Guide	Stainless Steel	AISI 304
5	Bonnet	Stainless Steel	AISI 304
6	Spring	Steel	Cr-VA
7	Nut	Stainless Steel	A2
8	Washer	Stainless Steel	A2
9	Fixing Holder	Stainless Steel	AISI 304
10	Screw	Stainless Steel	A2
11	Diaphragm	Rubber+ Reinforced Nylon	NBR+Nylon
12	Yoke	Stainless Steel	AISI 304
13	Body	Stainless Steel	AISI 304
14	Disc	Stainless Steel+Rubber	AISI 304+ EPDM
15	O-Ring	Rubber	NBR
16	Plug	Stainless Steel	AISI 304
17	Cover	Stainless Steel	AISI 304
18	Plug	Stainless Steel	AISI 304

CONTROL VALVE

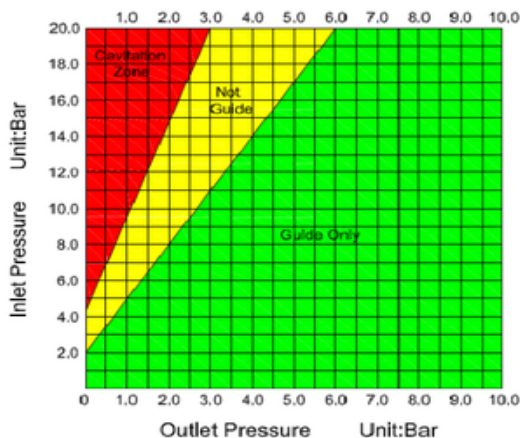
# A20B Pressure Reducing Valve – High Flow

SECTION Technical drawing 3 of 3 REF EFC-360

## Head Loss Curve



## Cavitation



## Ordering Code

Model:  
A20B: Pressure Reducing +  
low flow bypass Vavle

**A 20B -0200 -16-YYY**

YYY: Special Code  
Please Consult Factory

Pressure Rating:  
10: PN10  
16: PN16  
25: PN25  
A1: ANSI 125 F/F  
A5: ANSI 150 R/F

Size:  
0080: 80 mm  
0200: 200 mm

CONTROL VALVE

## A20B Pressure Reducing Valve – High Flow

SECTION Dimensions per size REF EFC-360

SIZE	L	H	OD_PN10	OD_PN16	OD_PN25	K_PN10	K_PN16	K_PN25
DN50	230	177	165	165	165	125	125	125
DN65	290	202	185	185	185	145	145	145
DN80	310	219	200	200	200	160	160	160
DN100	350	243	220	220	235	180	180	190
DN125	400	243	250	250	270	210	210	220
DN150	480	333	285	285	300	240	240	250
DN200	600	428	340	340	360	295	295	310

All dimensions in millimetres unless stated otherwise. Values are nominal; tolerances confirmed at quote.