

A300 Slow Control Check Valve

REF **EFC-347** ISSUED 15 Jun 2026

BUILT ON THE A900 MAIN VALVE BODY

All A900 configurations share the same hydraulically operated body. An existing body can be repiloted in the field for a different duty by swapping the pilot assembly, without body replacement.

SPECIFICATIONS

Size	DN50–DN600
Pressure	PN16–PN25
End connection	flanged (EN 1092-2) / flanged (EN 1092-2)

STANDARDS

Design	EN 1074-5
--------	------------------

APPROVALS & CERTIFICATIONS

- ISO 9001

COATINGS & LINING

- Rubber lined

APPLICATIONS

- Pump discharge
- Pump stations
- Booster stations
- Water transmission

FEATURES

- The A300 is a hydraulically operated slow-closing check valve designed for pump discharge duty
- On pump trip, the main valve closes slowly under hydraulic control, preventing the pressure surge associated with rapid non-return valve slam
- The closing rate is adjustable via a needle valve in the pilot circuit, allowing the deceleration rate to be tuned to the specific pipeline



PRESSURE-TEMPERATURE RATING

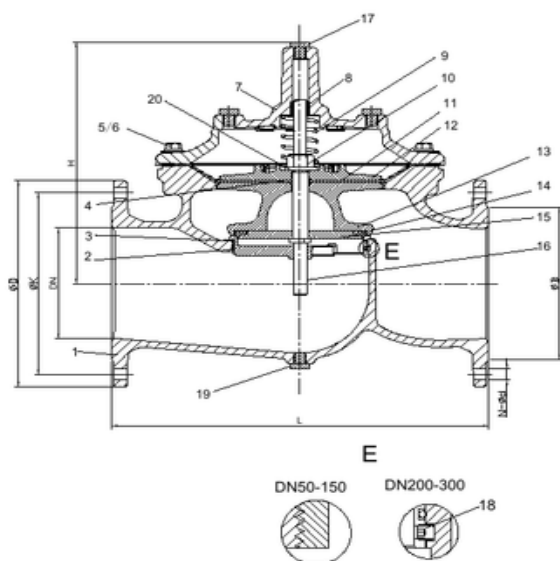
CLASS	TEMPERATURE	MAX PRESSURE
PN10	-10°C	10 bar
PN16	-10°C	16 bar
PN25	-10°C	25 bar
PN10	80°C	10 bar
PN16	80°C	16 bar
PN25	80°C	25 bar

CONTROL VALVE

A300 Slow Control Check Valve

SECTION Technical drawing 1 of 3 REF EFC-347

A900-Main Valve DN50-DN350



Parts List

No.	Description	Material	Standard
1	Body	Ductile Iron	GJS 500-7
2	Seat	Stainless Steel	AISI 304/316
3	O-ring	Rubber	NBR
4	O-ring	Rubber	NBR
5	Bolt	Stainless Steel	A2/A4
6	Washer	Stainless Steel	A2/A4
7	Bonnet	Ductile Iron	GJS 500-7
8	Bush	Bronze	C61900
9	Spring	Stainless Steel	AISI 304/316
10	Caulking Nut	Stainless Steel	A4
11	Diaphragm	Nylon Reinforced Rubber	EPDM +Nylon Fabric
12	Fixing holder	Ductile Iron	GJS 500-7
13	Disc Holder	Ductile Iron	GJS 500-7
14	Seal	Rubber	EPDM
15	Seat Retainer	Stainless Steel	AISI 304/316
16	Stem	Stainless Steel	AISI 304/316
17	Plug	Stainless Steel	AISI 304/316
18	Screw	Stainless Steel	A2/A4
19	Plug	Stainless Steel	A2/A4
20	Washer	Stainless Steel	A2/A4

Dimension:

DN	Model Code	L	ØD			ØK			H	N-Ød			Unit: mm ØB		
			PN10	PN16	PN25	PN10	PN16	PN25		PN10	PN16	PN25	PN10	PN16	PN25
50	A900-0050	230	165	165	165	125	125	125	177	4-Ø19	4-Ø19	4-Ø19	Ø99	Ø99	Ø99
65	A900-0065	290	185	185	185	145	145	145	202	4-Ø19	4-Ø19	8-Ø19	Ø118	Ø118	Ø118
80	A900-0080	310	200	200	200	160	160	160	219	8-Ø19	8-Ø19	8-Ø19	Ø132	Ø132	Ø132
100	A900-0100	350	220	220	235	180	180	190	243	8-Ø19	8-Ø19	8-Ø23	Ø156	Ø156	Ø156
*125	A900-0125	400	250	250	270	210	210	220	243	8-Ø19	8-Ø19	8-Ø28	Ø156	Ø156	Ø156
150	A900-0150	480	285	285	300	240	240	250	333	8-Ø23	8-Ø23	8-Ø28	Ø211	Ø211	Ø211
200	A900-0200	600	340	340	360	295	295	310	428	8-Ø23	12-Ø23	12-Ø28	Ø266	Ø266	Ø274
250	A900-0250	730	405	405	425	350	355	370	478	12-Ø23	12-Ø28	12-Ø31	Ø319	Ø319	Ø330
300	A900-0300	850	460	460	485	400	410	430	538	12-Ø23	12-Ø28	16-Ø31	Ø370	Ø370	Ø389
*350	A900-0350	980	520	520	555	460	470	490	550	16-Ø23	16-Ø28	16-Ø34	Ø429	Ø429	Ø448

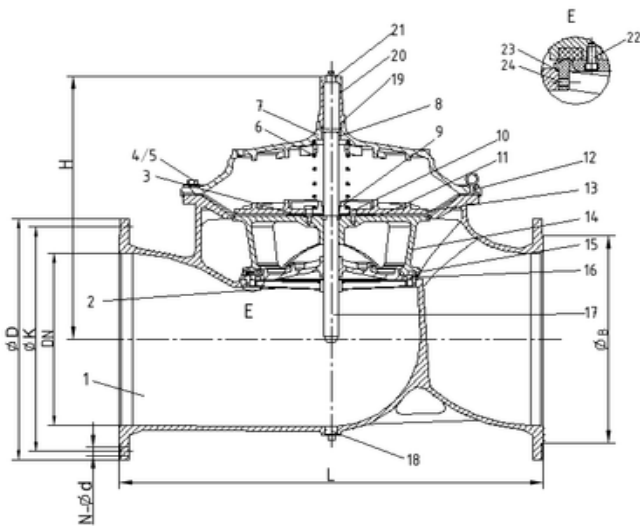
NOTE: 1. *DN125/350 use same internal as DN100/300
2. AISI 304 factory standard material. consult factory for AISI 316 material.

CONTROL VALVE

A300 Slow Control Check Valve

SECTION Technical drawing 2 of 3 REF EFC-347

A900-Main Valve DN400-DN800



Parts List

No.	Description	Material	Standard
1	Body	Ductile Iron	GJS 500-7
2	Seat	Stainless Steel	AISI 304/316
3	Screw	Stainless Steel	A2/A4
4	Screw	Stainless Steel	A2/A4
5	Screw	Stainless Steel	A2/A4
6	Spring	Stainless Steel	AISI 304/316
7	Bonnet	Ductile Iron	GJS 500-7
8	Bush	Bronze	C61900
9	O-ring	Rubber	NBR
10	Fix Washer	Bronze	C61900
11	Diaphragm	Nylon Reinforced Rubber	EPDM +Nylon Fabric
12	Eye Bolts	Carbon Steel	1040
13	Fixing Holder	Ductile Iron	GJS 500-7
14	Disc Holder	Ductile Iron	GJS 500-7
15	Seal	Rubber	EPDM
16	Seal Retainer	Ductile Iron	GJS 500-7
17	Stem	Stainless Steel	AISI 304/316
18	Plug	Stainless Steel	AISI 304/316
19	O-ring	Rubber	NBR
20	Cap	Ductile Iron	GJS 500-7
21	Plug	Stainless Steel	AISI 304/316
22	Screw	Stainless Steel	A2/A4
23	O-ring	Rubber	NBR
24	Screw	Stainless Steel	A2/A4

Dimension:

Unit: mm

DN	Model Code	L	H	ØD			ØK			N-Ød			ØB		
				PN10	PN16	PN25	PN10	PN16	PN25	PN10	PN16	PN25	PN10	PN16	PN25
400	A900-0400	1100	710	580	580	620	515	525	550	16-Ø28	16-Ø31	16-Ø37	480	480	503
*450	A900-0450	1200	720	640	640	670	565	585	600	20-Ø28	20-Ø31	20-Ø37	530	548	548
500	A900-0500	1250	822	715	715	730	620	650	660	20-Ø28	20-Ø34	20-Ø37	582	609	609
600	A900-0600	1450	885	840	840	845	725	770	770	20-Ø31	20-Ø37	20-Ø40	682	720	720
*700	A900-0700	1650	910	910	910	960	840	840	875	24-Ø31	24-Ø37	24-Ø43	682	720	720
800	A900-0800	1850	1260	1025	1025	1085	950	950	990	24-Ø34	24-Ø40	24-Ø49	901	901	928

Note: 1. *DN450/700 use same internal as DN400/600.
2. AISI 304 factory standard material. consult factory for AISI 316 material.

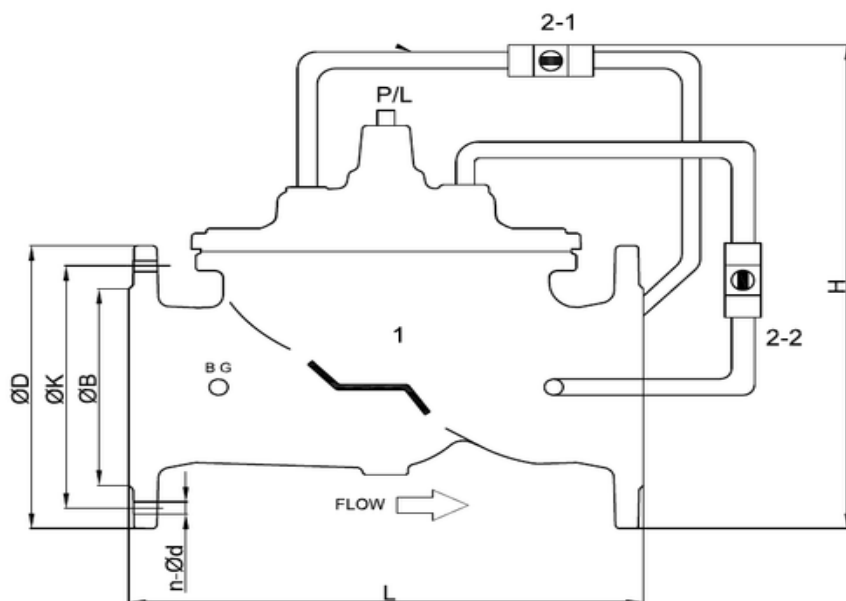
CONTROL VALVE

A300 Slow Control Check Valve

SECTION Technical drawing 3 of 3 REF EFC-347

A300 Slow Check Valve

DN50-DN150 with Single Pipe
DN200 and above with Two Pipe



- 1 Main Valve
- 2 Ball Valve
- T Tube

Function:

1. To keep the pressure difference between supply and return pipe In HVAC system. Same as the balancing valve

Ordering Code

Model:
A300:
Slow Closing Valve

A 300 - 0200 - 16 - YYY

YYY: Special Code
Please Consult Factory

Pressure Rating:
10: PN10
16: PN16
25: PN25
A1: ANSI 125 F/F
A5: ANSI 150 R/F

Size:
0080: 80 mm
0200: 200 mm

CONTROL VALVE

A300 Slow Control Check Valve

SECTION Dimensions per size REF EFC-347

SIZE	L	H	OD_PN10	OK_PN10	OB_PN10	OD_PN25	OK_PN25	OB_PN25	OK_PN16	OB_PN16
DN50	230	177	165	125	99	—	—	—	—	—
DN65	290	202	185	145	118	—	—	—	—	—
DN80	310	219	200	160	132	—	—	—	—	—
DN100	350	243	220	180	156	235	190	—	—	—
DN125	400	243	250	210	156	270	220	—	—	—
DN150	480	333	285	240	211	300	250	—	—	—
DN200	600	428	340	295	266	360	310	274	—	—
DN250	730	478	405	350	319	425	370	330	355	—
DN300	850	538	460	400	370	485	430	389	410	—
DN350	980	550	520	460	429	555	490	448	470	—
DN400	1100	710	580	515	480	620	550	503	525	—
DN450	1200	720	640	565	530	670	600	—	585	548
DN500	1250	822	715	620	582	730	660	—	650	609
DN600	1450	885	840	725	682	845	—	—	770	720
DN700	1650	910	910	840	682	960	875	—	—	720
DN800	1850	1260	1025	950	901	1085	990	928	—	—

All dimensions in millimetres unless stated otherwise. Values are nominal; tolerances confirmed at quote.