

AIR RELEASE VALVE

SKAS – Sewage Air Release Valve with Valve Chamber

REF **EFC-343** ISSUED 11 Jun 2026

SPECIFICATIONS

Size	DN25–DN150
Pressure	PN10–PN16
End connection	flanged (EN 1092-2) / flanged (EN 1092-2)

STANDARDS

Design	EN 1074-4
--------	------------------

APPROVALS & CERTIFICATIONS

- ISO 9001

APPLICATIONS

- Below-ground installations
- Flood-prone sites
- Buried sewage mains
- Wastewater networks

FEATURES

- The SKAS with Valve Chamber pairs the SKAS sewage combination air release valve with an integrated protective chamber
- The chamber provides a sealed environment for below-ground or flood-prone installations, allowing the air valve to be isolated and serviced without dewatering the main
- The chamber incorporates an access cover and drainage connection

PRESSURE-TEMPERATURE RATING

CLASS	TEMPERATURE	MAX PRESSURE
—	-10°C	16 bar
—	80°C	16 bar

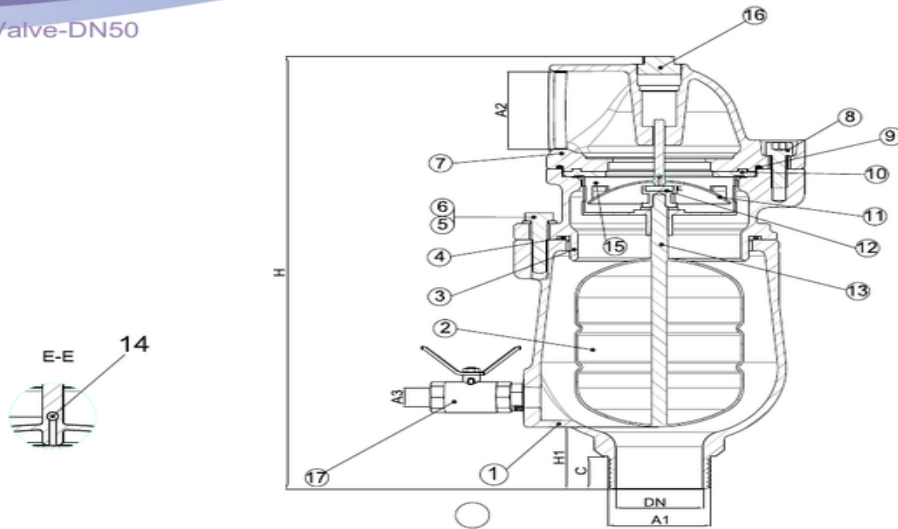


AIR RELEASE VALVE

SKAS – Sewage Air Release Valve with Valve Chamber

SECTION Technical drawing 1 of 3 REF EFC-343

Main Valve-DN50



Parts List

No.	Part Name	Material	Standard
1	Body	Ductile Iron	EN GJS 500-7
2	Float	Stainless Steel	AISI 316
3	Middle Part	Ductile Iron	EN GJS 500-7
4	O-Ring	Rubber	NBR
5	Hex Bolt	Stainless Steel	AISI 316
6	Washer	Stainless Steel	AISI 316
7	Bonnet	Ductile Iron	EN GJS 500-7
8	Screw	Ductile Iron	EN GJS 500-7
9	O-Ring	Rubber	NBR
10	Seat	Rubber	NBR
11	Sealing Arc	Stainless Steel	AISI 316
12	Nozzle Seat	Rubber	NBR
13	Stem	Stainless Steel	AISI 316
14	Small Nozzle	Stainless Steel	AISI 316
15	Guide Barrel	Stainless Steel	AISI 316
16	Plug	Stainless Steel	AISI 316
17	Butterfly ball valve	Stainless Steel	AISI 316

™Copy right by Alpine Flow Control (Suzhou) Co.,Ltd ST-EN/1008/ STD 01/ 2/2
AFC reserves the right to change design/ specifications without further notices.

AIR RELEASE VALVE

SKAS – Sewage Air Release Valve with Valve Chamber

SECTION Technical drawing 2 of 3 REF EFC-343

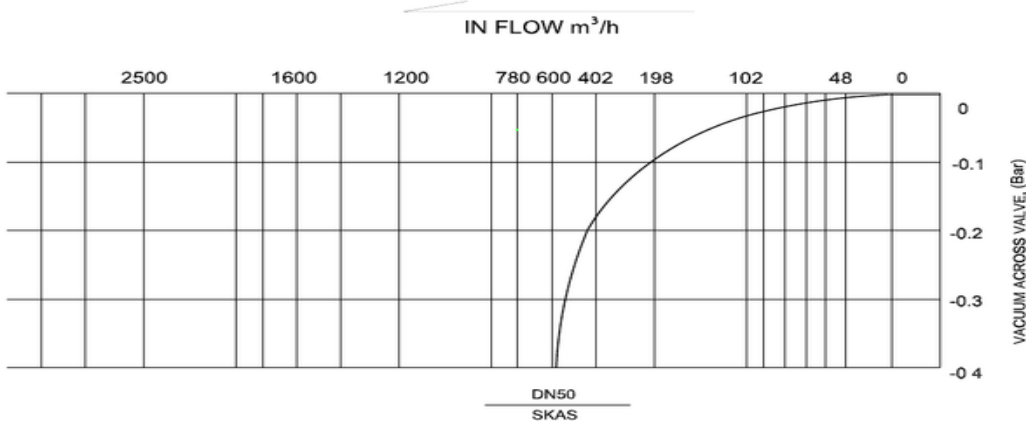
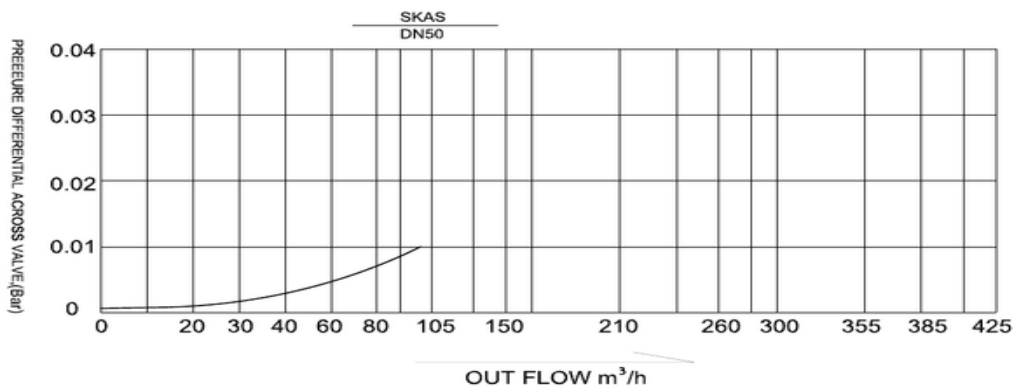


Dimension

Unit: MM

Dimension						
DN	A1	A2	A3	C	H1	H
50	G2"	G2"	BSPT3/8"	25	48	333.5

BIG NOZZLE EXHAUSTING / INTAKE



* AFC keeps the right to change dimension without further notice.

™Copy right by Alpine Flow Control (Suzhou) Co.,Ltd ST-EN/1008/ STD 01/ 2/2
AFC reserves the right to change design/ specifications without further notices.



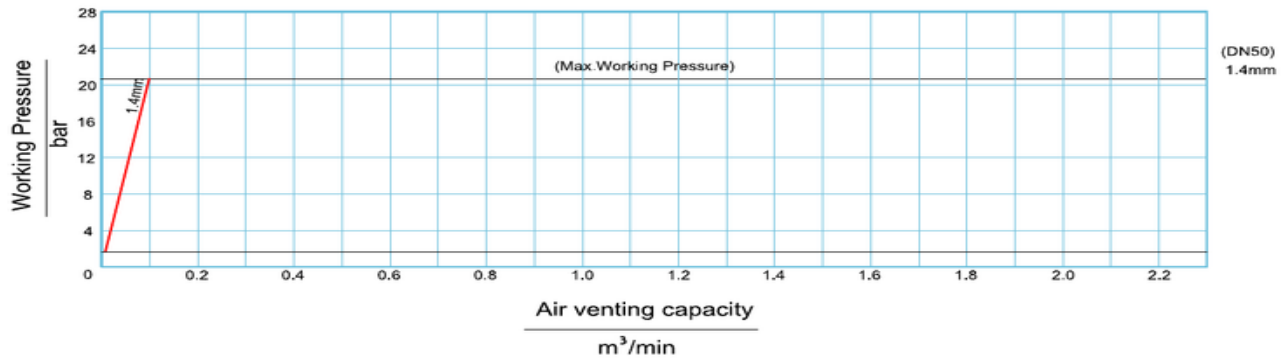
AIR RELEASE VALVE

SKAS – Sewage Air Release Valve with Valve Chamber

SECTION Technical drawing 3 of 3 REF EFC-343

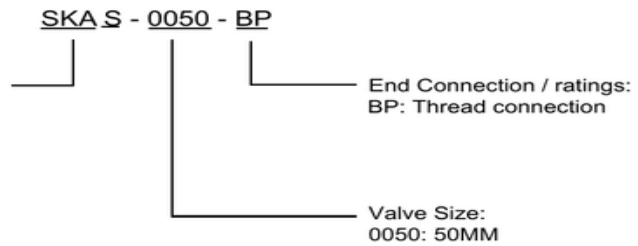


SMALL ORIFICE VENTING



Ordering Code

Model:
SKAS- Sewage combination air valve



™Copy right by Alpine Flow Control (Suzhou) Co.,Ltd ST-EN/1008/ STD 01/ 2/2
AFC reserves the right to change design/ specifications without further notices.



AIR RELEASE VALVE

SKAS – Sewage Air Release Valve with Valve Chamber

SECTION Dimensions per size REF EFC-343

SIZE	A1	A2	A3	C	H1	H
DN50	G2" inch	G2" inch	BSPT3/8" inch	25	48	333.5

All dimensions in millimetres unless stated otherwise. Values are nominal; tolerances confirmed at quote.